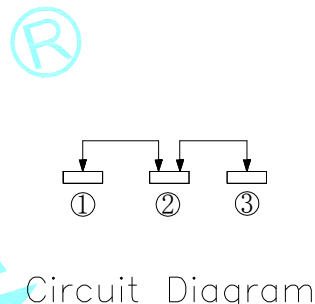
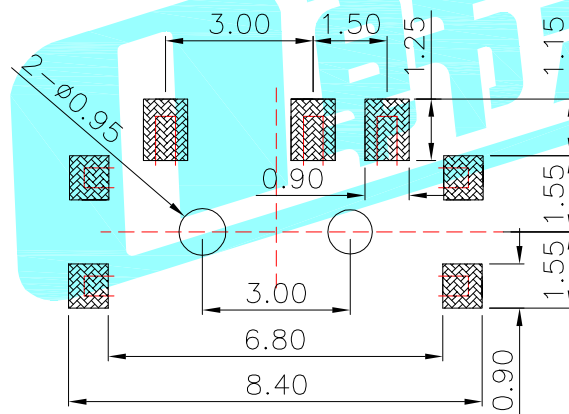
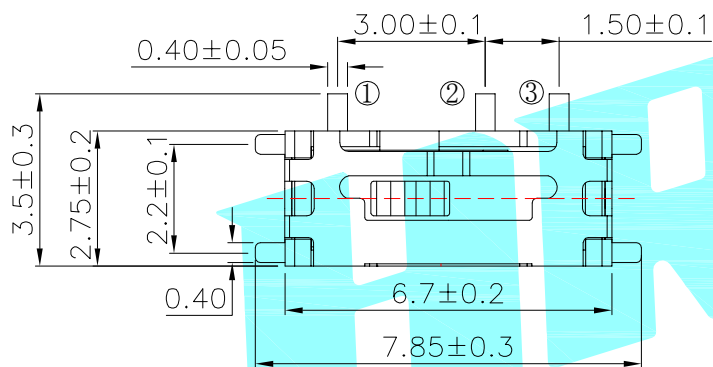
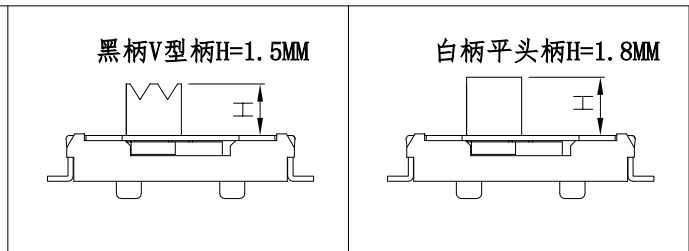
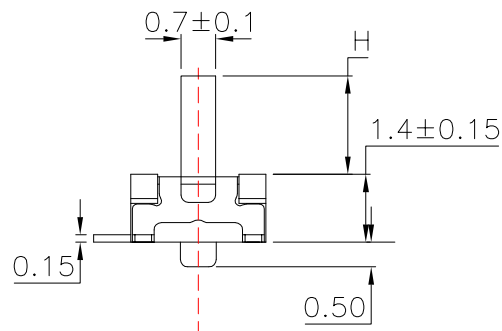
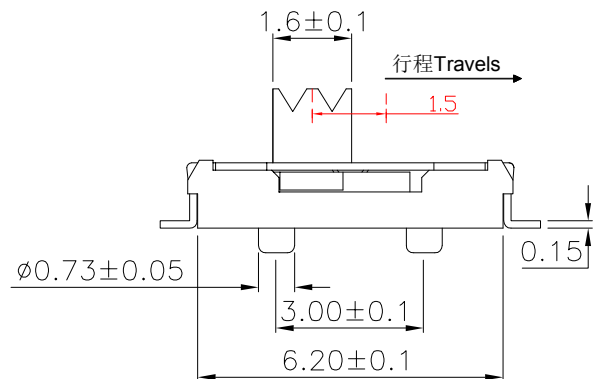


ROHS



PART NO.	H	Operating force
K3-1292S-E1	1.5	140±50gf
K3-1292S-P2	1.8	
1: Black		2: White

PCB Layout(Pattern side)

⑤	Contact Spring	—	1	Phosphor bronze	Ag Plated	—
④	Terminal	—	3	Phosphor bronze	Ag Plated	—
③	Base	—	1	LCP	Black	—
②	Cover	—	1	SUS	Ni Plated	—
①	KNOB	—	1	PPA	—	—
ITEM	PART NAME	TER'NO.	QTY.	MATERIAL	FINISHING	REMARK

APPROVALS		DATE		 ELECTRONICS CO.,LTD		
DRAWN	LIUCAN	2020/10/30				
CHECKED				PART NO.	K3-1292S-□□	
APPROVALS				UNIT: mm	SCALE: 1:1	PROJ:
TOLERANCES ARE		30~以上	±0.30	ANGLE		
		10~30	±0.20			
		5~10	±0.15			
		~ 5	±0.10	±2'	DRAWING NO.	

ECN NO.	REV.	DATE.	DESCRIPTION.	CHANGE.	CHECK.	APPRO.
	A		NEW			