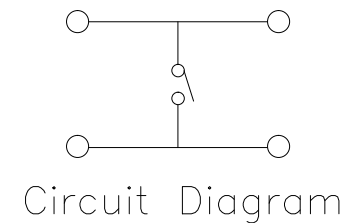
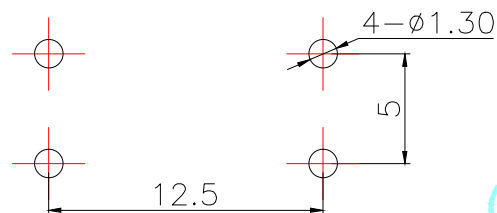
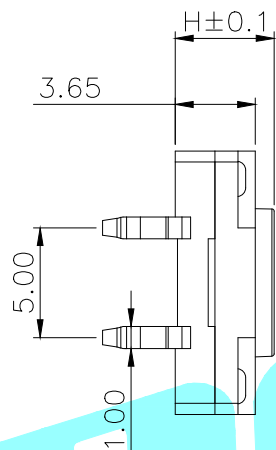
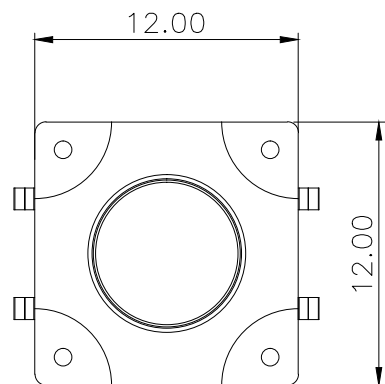
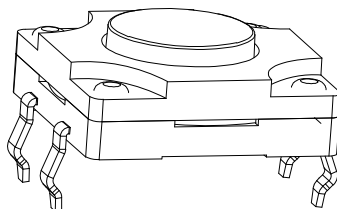
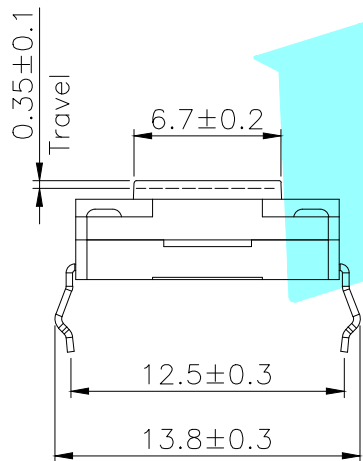


ROHS



PCB Layout(Pattern side)



NO.1

| PART NO | H | PART NO | H |
|---------|-----|---------|------|
| A | 4.3 | L | 9.5 |
| B | 4.5 | M | 10 |
| C | 5.0 | N | 10.5 |
| D | 5.5 | O | 11 |
| E | 6 | P | 11.5 |
| F | 6.5 | Q | 12 |
| G | 7 | R | 12.5 |
| H | 7.5 | S | 13 |
| I | 8 | T | 13.5 |
| J | 8.5 | U | 14 |
| K | 9 | V | 15 |

NO.2

| PART NO | vigor |
|---------|--------|
| 4 | 250±30 |
| 5 | 350±50 |

NO.3

| PART NO | MATERIAL/QTY |
|---------|--------------|
| S | SUS/1PC |
| C | C5210/1PC |
| D | SUS/2PCS |
| F | C5210/2PCS |

NO.4-NO.5

| PART NO | NOTE |
|---------|---------------|
| 01~99 | SERIAL NUMBER |

| ⑦ | Gasket | — | 1 | PPA | — | — |
|------|---------------------|---------|------|-------------|----------------|---------|
| ⑥ | Waterproof Silicone | — | 1 | Silica gel | — | — |
| ⑤ | Terminal | — | 4 | Brass(0.3t) | Plating silver | — |
| ④ | Contact | — | 1 | F.Ag/SUS | — | — |
| ③ | Base | — | 1 | PPA | Black | UL94V-0 |
| ② | Cover | — | 1 | PPA | — | — |
| ① | Keystoke | — | 1 | PPA | Black | UL94V-0 |
| ITEM | PART NAME | TER'NO. | QTY. | MATERIAL | FINISHING | REMARK |

| APPROVALS | | | DATE | | TITLE | |
|----------------|--------|--|-------------|-----------|--------------------------------|--|
| DRAWN | LIUCAN | | 2021.7.14 | | TACT SWITCHES | |
| CHECKED | | | | | PART NO. K2-1841DP-□□□W-□□ | |
| APPROVALS | | | | | UNIT: mm SCALE: 1:1 PROJ: | |
| TOLERANCES ARE | | | 30~以上 ±0.30 | ANGLE ±2' | DRAWING NO. _____ SHEET 1 OF 1 | |
| | | | 10~30 ±0.20 | | | |
| | | | 5~10 ±0.15 | | | |
| | | | ~ 5 ±0.10 | | | |

| ECN NO. | REV. | DATE. | DESCRIPTION. | CHANGE. | CHECK. | APPRO. |
|---------|------|-------|--------------|---------|--------|--------|
| — | A | — | NEW | — | — | — |

