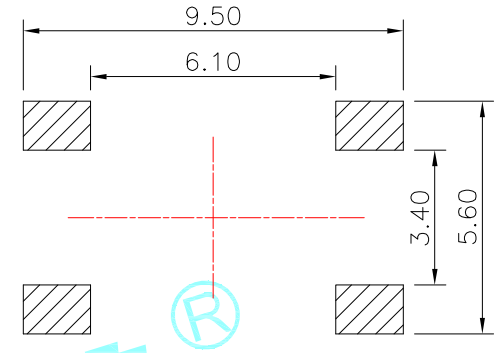
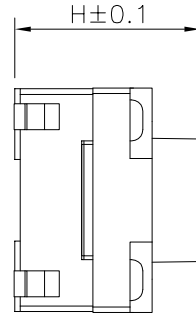
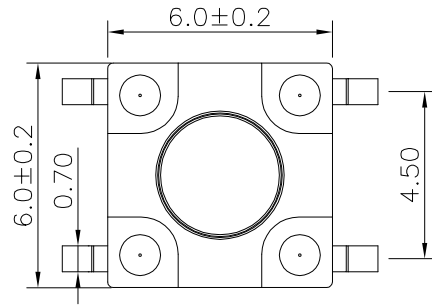
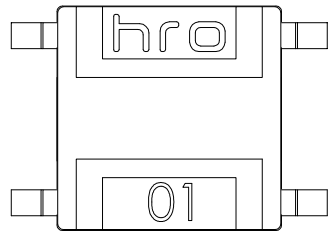
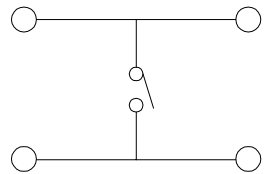
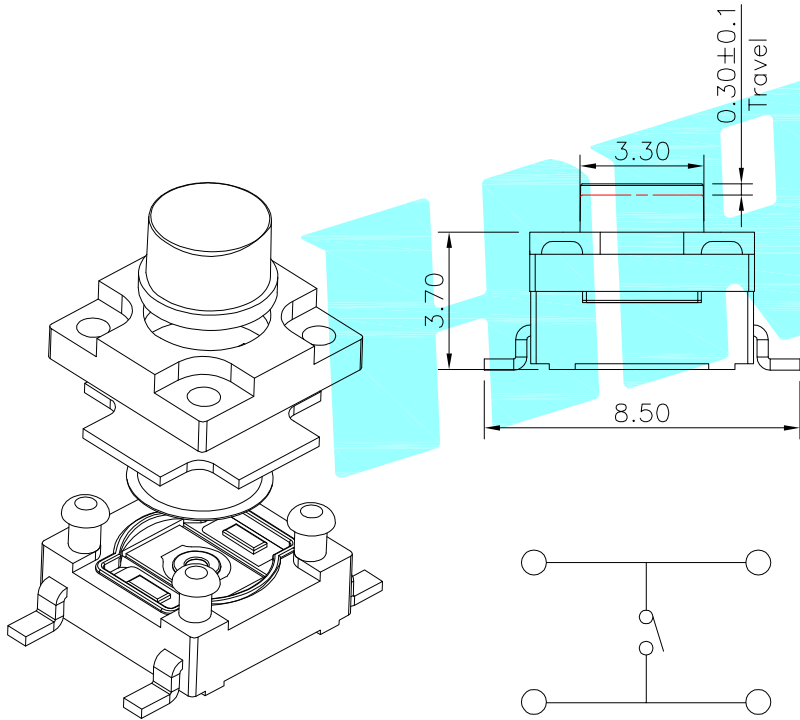


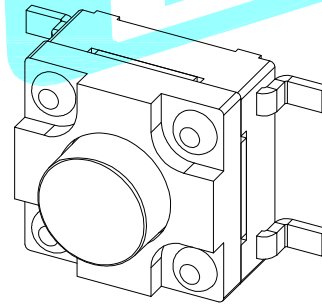
ROHS



PCB Layout (Pattern side)



Circuit Diagram



NO.1			
PART NO	H	PART NO	H
A	4.3	O	11
B	4.5	P	11.5
C	5	Q	12
D	5.5	R	12.5
E	6	S	13
F	6.5	T	13.5
G	7	U	14
H	7.5	V	15
I	8	W	16
J	8.5	X	17
K	9	Y	18
L	9.5	Z	19
M	10	1	15.5
N	10.5	2	16.5

NO.2	
PART NO	vigor
4	250±30
5	350±50

NO.3	
PART NO	MATERIAL/QTY
S	SUS/1PC

NO.5-NO.6	
PART NO	NOTE
01~99	SERIAL NUMBER

⑥	Waterproof Silicone	—	1	Silica gel	—	—
⑤	Terminal	—	4	Brass(0.3t)	Plating silver	—
④	Contact	—	1	F.Ag/SUS	—	—
③	Base	—	1	PPA	Black	—
②	Cover	—	1	PPA	—	—
①	Keystoke	—	1	PPA	Black	—
ITEM	PART NAME	TER'NO.	QTY.	MATERIAL	FINISHING	REMARK

NOTE:
Waterproof:IEC IP67

APPROVALS		DATE	HRO 皓泰 ELECTRONICS CO.,LTD			
DRAWN	LIUCAN	2021.7.2	TITLE:	TACT SWITCHS		
CHECKED			PART NO.	K2-1839SP-□□SW-□□		
APPROVALS			TOLERANCES ARE	30~以上 ±0.30	10~30 ±0.20	5~10 ±0.15
				~ 5 ±0.10	ANGLE	±2°
			UNIT:	mm	SCALE:	1:1
			DRAWING NO.		PROJ:	⊕
					SHEET	1 OF 1

ECN NO.	REV.	DATE.	DESCRIPTION.	CHANGE.	CHECK.	APPRO.
	A		NEW			