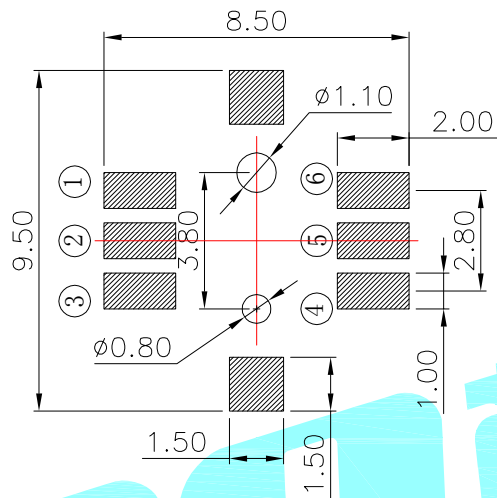
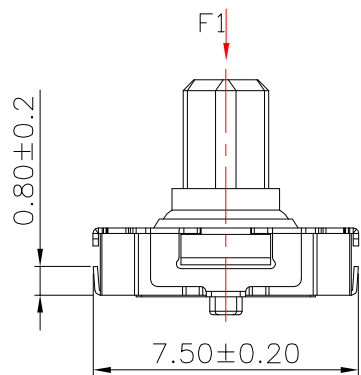
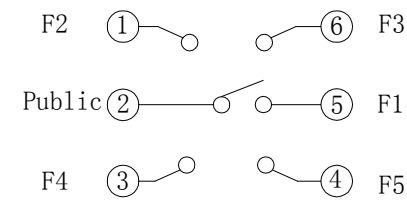


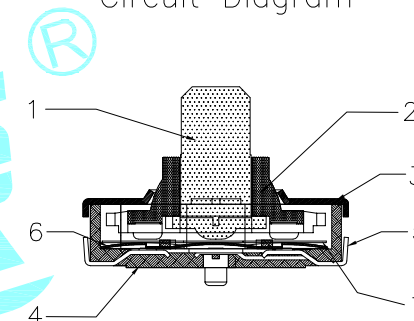
**ROHS**



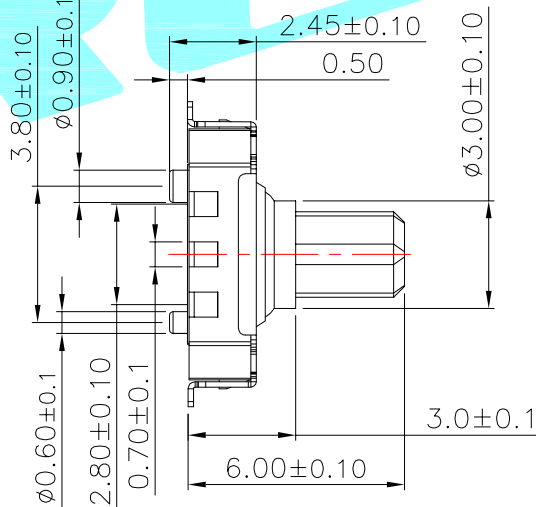
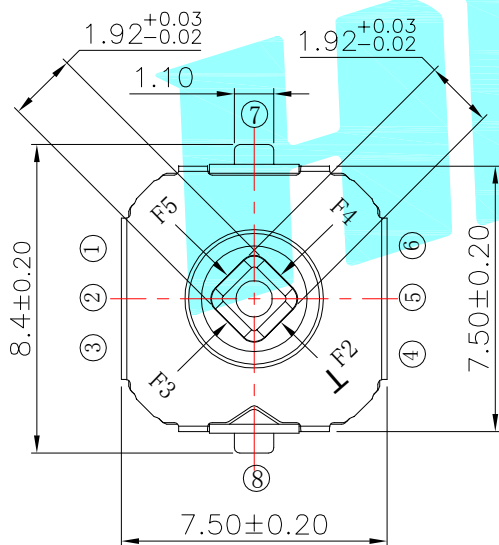
PCB Layout(Pattern Side)



Circuit Diagram



NOTE:  
 Rating: DC12V 50mA  
 Operating Force:  
 lever portion: 130±50gf  
 Push portion: 200±50gf  
 Travel: 4-direction 6°±2°  
 center push 0.15±0.1mm



ITEM	PART NAME	TER'NO.	QTY.	MATERIAL	FINISHING	REMARK
⑦	Mylar	—	1	PTFE	—	—
⑥	Contact	—	2	F.Ag/SUS	—	—
⑤	Terminal	—	6	Phosphorous copper	Plating silver	—
④	Base	—	1	LCP	Black	—
③	Cover	—	1	SUS	Plating silver	—
②	Axle sleeve	—	1	PA6T	Black	—
①	Keystoke	—	1	PA6T	Black	—

APPROVALS		DATE		HRC 韩荣® ELECTRONICS CO.,LTD		
DRAWN	LIUCAN	2022.8.10		TITLE:	1.92*1.92MM按柄轻力度款	
CHECKED				PART NO.	K1-5203UA-03	
APPROVALS				UNIT: mm	SCALE: 1:1	PROJ:
TOLERANCES ARE		30~以上 10~30 5~10 ~ 5	±0.30 ±0.20 ±0.15 ±0.10	ANGLE	±2'	DRAWING NO.
ECN NO.	REV.	DATE.	DESCRIPTION.	CHANGE.	CHECK.	APPRO.

ECN NO.	REV.	DATE.	DESCRIPTION.	CHANGE.	CHECK.	APPRO.
—	A	—	NEW	—	—	—