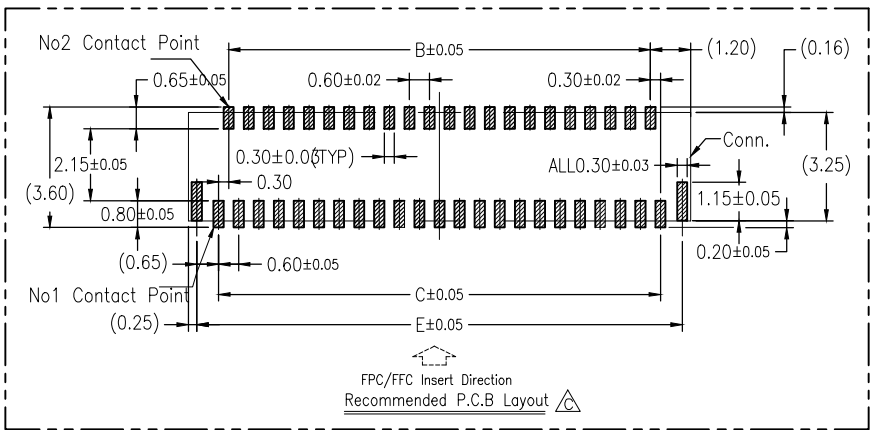
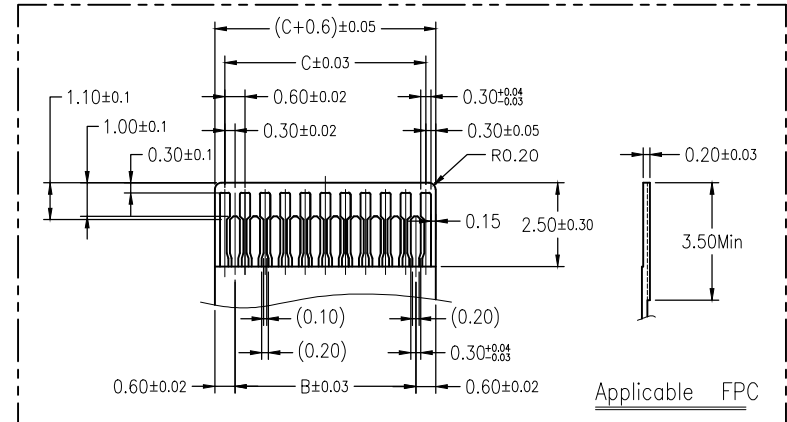
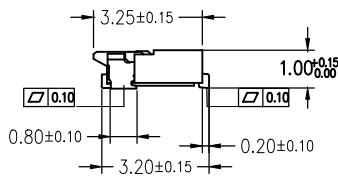
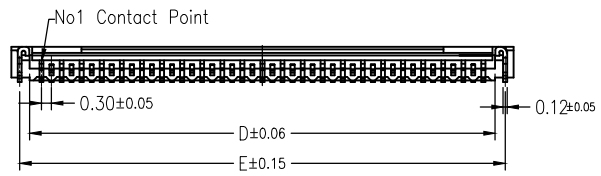


- Note:
- Material
    - Housing: LCP UL94-V0 Color:Natural.Or Black
    - Actuator: LCP UL94-V0 Color:Black Or Natural
    - Contact: Phosphor Bronze.
    - LEG: Phosphor Bronze.
  - Plating
    - Contact: See Part Number.
    - LEG: Matte Tin Plating Over Nickel.
  - Rating:
    - Operating Voltage: 30V AC/DC.
    - Current Rating: 0.2A AC/DC.
    - Operating Temperature:-55°C~+85°C.



Number of Contacts	Part No.	Dimensions mm				
		A	B	C	D	E
13	HC-FPC-03-10-13RLTAG	5.40	3.00	3.60	4.25	4.90
15	HC-FPC-03-10-15RLTAG	6.00	3.60	4.20	4.85	5.50
17	HC-FPC-03-10-17RLTAG	6.60	4.20	4.80	5.45	6.10
19	HC-FPC-03-10-19RLTAG	7.20	4.80	5.40	6.05	6.70
21	HC-FPC-03-10-21RLTAG	7.80	5.40	6.00	6.65	7.30
23	HC-FPC-03-10-23RLTAG	8.40	6.00	6.60	7.25	7.90
25	HC-FPC-03-10-25RLTAG	9.00	6.60	7.20	7.85	8.50
27	HC-FPC-03-10-27RLTAG	9.60	7.20	7.80	8.45	9.10
29	HC-FPC-03-10-29RLTAG	10.20	7.80	8.40	9.05	9.70
31	HC-FPC-03-10-31RLTAG	10.80	8.40	9.00	9.65	10.30
33	HC-FPC-03-10-33RLTAG	11.40	9.00	9.60	10.25	10.90
35	HC-FPC-03-10-35RLTAG	12.00	9.60	10.20	10.85	11.50
37	HC-FPC-03-10-37RLTAG	12.60	10.20	10.80	11.45	12.10
39	HC-FPC-03-10-39RLTAG	13.20	10.80	11.40	12.05	12.70
41	HC-FPC-03-10-41RLTAG	13.80	11.40	12.00	12.65	13.30
45	HC-FPC-03-10-45RLTAG	15.00	12.60	13.20	13.85	14.50
49	HC-FPC-03-10-49RLTAG	16.20	13.80	14.40	15.05	15.70
51	HC-FPC-03-10-51RLTAG	16.80	14.40	15.00	15.65	16.30
57	HC-FPC-03-10-57RLTAG	18.60	16.20	16.80	17.45	18.10
61	HC-FPC-03-10-61RLTAG	19.80	17.40	18.00	18.65	19.30
67	HC-FPC-03-10-67RLTAG	21.60	19.20	19.80	20.45	21.10
71	HC-FPC-03-10-71RLTAG	22.80	20.40	21.00	21.65	22.30
73	HC-FPC-03-10-73RLTAG	23.40	21.00	21.60	22.25	22.90

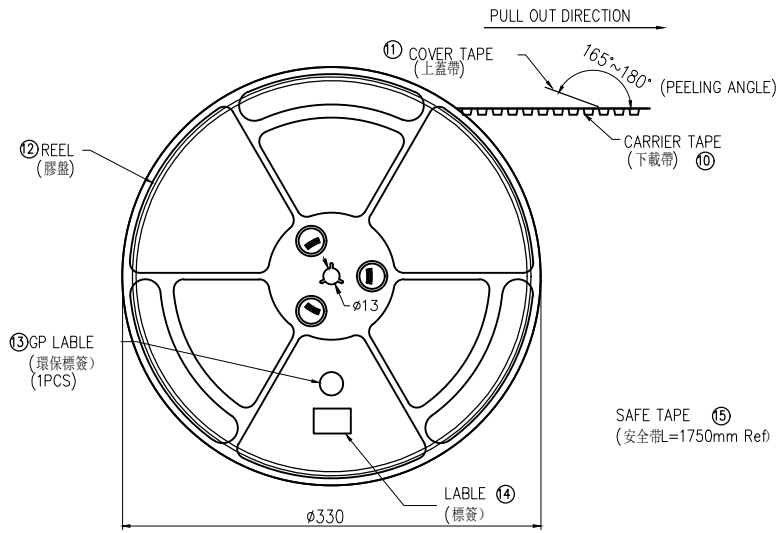
			GENEAL TOLERANCE	制图 DRAWING	深圳市华灿天禄电子有限公司 ShenzhenhuacantianluELECTRONICS CO.,LTD			
			DIM TOL	审核 CHECK	产品名称 TITLE	FPC 0.3Pitch 1.0H ZIF R/A Connector 掀盖式	版本 REV.	A
			X.X ±0.30	批准 APPROVAL	产品料号 PART NO.	HC-FPC-03-10-NRLTAG	单位 UNITS	mm
			X.XX ±0.20	比例 SCALE	材料 MATERIAL		页次 SHEET	1/1
			X.XXX ±0.10	投影 Projection				
			Angle ±3.0°					
1	初版发行							
序号 No.	变更内容 MODIFY CONTENT	日期 MODIFY DATE						

# EMBOSSED TAPE PACKING

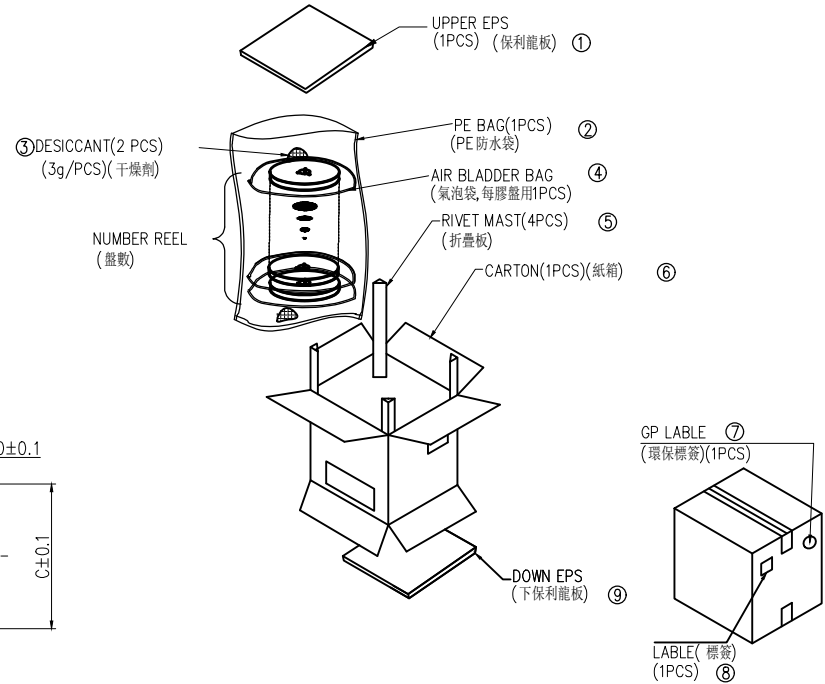
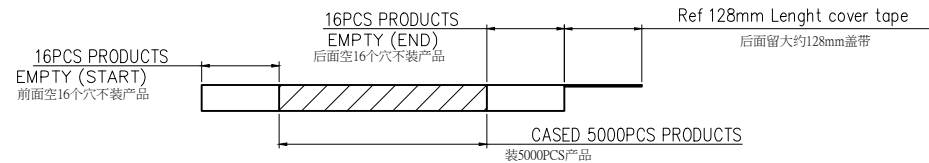
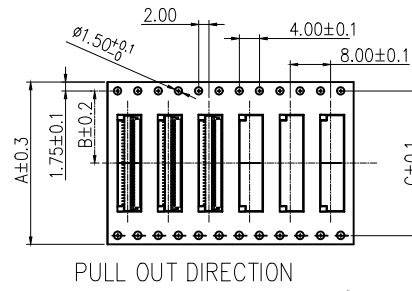
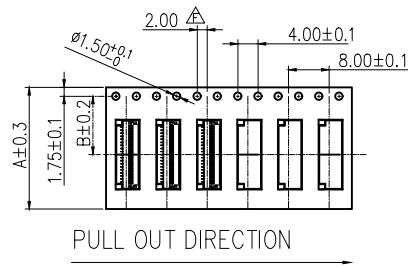
0.3mm Pitch FPC Connector, ZIF R/A SMT Type

NOTE:

- 1.10 Sprocket hole pitch cumulative tolerance  $\pm 0.20$ .
- 2.Carrier camber is within 1mm in 100mm.
- 3.Material: black conductive polystyrene alloy.
- 4.Material Thickness:  $0.3 \pm 0.05$ mm.
- 5.All dimensions meet EIA-481-B requirements.
- 6.5000pcs Pef Reel.
- 7.For tape width(dim W)16 and 24mm pilot holes are provided on one sides.  
For tape width(dim W)32, 44 and 56mm pilot holes are provided on both sides.



SCALE 1: 4



PIN NO.	W	A	B	C	PCS /REEL	REEL/CARTON	SUM(PCS)
13PIN~25PIN	20.5	16	7.50	-	5000	13	65000
27PIN~49PIN	28.5	24	11.5	-	5000	10	50000
51PIN~61PIN	36.5	32	14.2	28.4	5000	8	40000
67~73PIN	48.5	44	20.2	40.4	5000	6	30000

			GENEAL TOLERANCE	制 图 DRAWING	深圳市华灿天禄电子有限公司 ShenzhenhuacantianluELECTRONICS CO.,LTD			
			DIM TOL	审 核 CHECK				
			X.X ±0.30	批 准 APPROVAL	产品名称 TITLE	FPC 0.3Pitch 1.0H ZIF R/A Connector 掀盖式-包装图	版本 REV.	A
1			初版发行	比 例 SCALE	产品料号 PART NO.	HC-FPC-03-10-NRLTAG	单 位 UNITS	mm
序号 No.	变更内容 MODIFY CONTENT	日期 MODIFY DATE	Angle ±3.0°	投 影 Projection		材 料 MATERIAL	页 次 SHEET	1/1