

P.C.B LAYOUT
TOLERANCE:±0.05

Ordering Information:

A2508WR-F-2xXP - *** - ***
1 2 3

1.Part NO.

2.Material:

(Blank): Nylon 66,UL94V-0(White)

9T;Nylon 9T,UL94V-0(Ivory)

GWT: Nylon 66,UL94V-0(Beige),

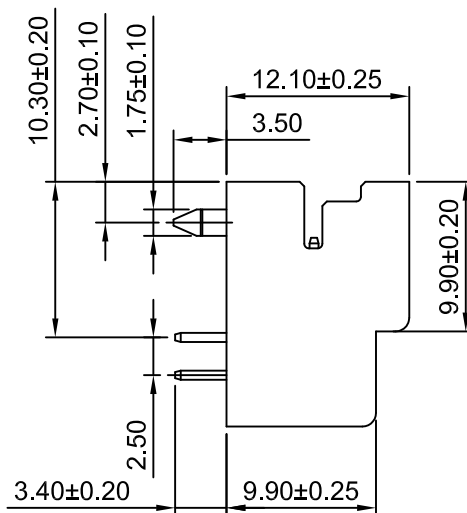
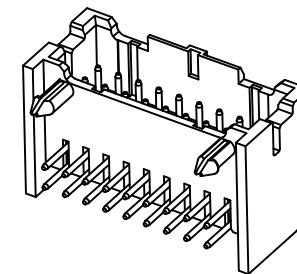
IEC 60335-1,5th Edition

Glow Wire Capable.

3.Finish:

(Blank): Tin over Nickel

G: Gold over Nickel



SPECIFICATIONS:

Current Rating: 3A AC,DC

Voltage Rating: 250V AC,DC

Temperature Range: -40°C ~ +105°C

Contact Resistance: 10mΩ Max.

Insulation Resistance: 1000MΩ Min.

Withstanding Voltage: 1000V AC/minute

Pin Material: Brass

Ordering Information & Dimensions

Part NO.	Dimensions(mm)	
	A	B
A2508WR-F-2x4P	7.50	15.00
A2508WR-F-2x5P	10.00	17.50
A2508WR-F-2x6P	12.50	20.00
A2508WR-F-2x7P	15.00	22.50
A2508WR-F-2x8P	17.50	25.00
A2508WR-F-2x9P	20.00	27.50
A2508WR-F-2x10P	22.50	30.00
A2508WR-F-2x11P	25.00	32.50
A2508WR-F-2x12P	27.50	35.00
A2508WR-F-2x13P	30.00	37.50
A2508WR-F-2x14P	32.50	40.00
A2508WR-F-2x15P	35.00	42.50
A2508WR-F-2x16P	37.50	45.00
A2508WR-F-2x17P	40.00	47.50
A2508WR-F-2x18P	42.50	50.00

CJTconn CHANGJIANG CONNECTORS CO.,LTD.

Unit	Scale	Sheet	TITLE						
mm	2:1	1 of 1	2.50mm Pitch Right angle Dual Row Wafer With Foot						
DRAWN	CHK'D	APPR							
Haisen Li	Diankui Wan	Jack Yin							
General Tolerances			THIRD ANGLE PROJECTION						
x.xx±0.25 x.xxx±0.20 x.xxxx±0.15 ANGLES ±1°			DRAWING NO.						
<table border="1"> <tr> <td>A0</td> <td>NEW RELEASE</td> <td>2022.08.20</td> </tr> <tr> <td>REV</td> <td>DESCRIPTION</td> <td>DATE</td> </tr> </table>			A0	NEW RELEASE	2022.08.20	REV	DESCRIPTION	DATE	REV A0
A0	NEW RELEASE	2022.08.20							
REV	DESCRIPTION	DATE							



A2508WR-F-2xXP