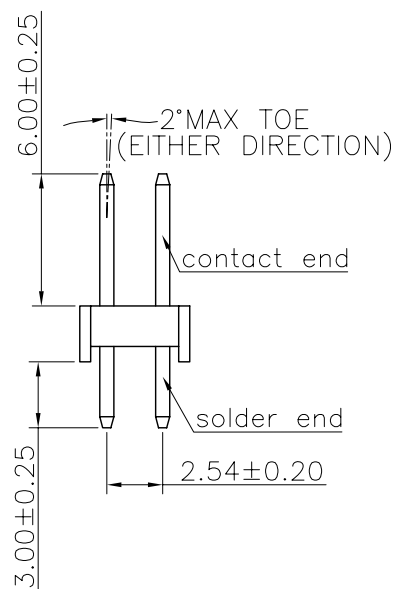
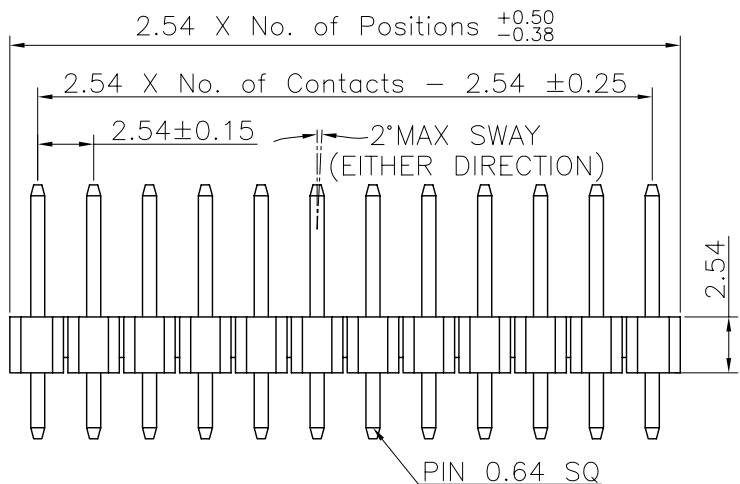
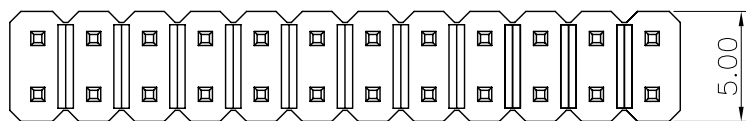


REV.	LOCAS.	DESCRIPTION	DATE	DRAWN
01	NEW	INITIAL RELEASE.	2013.05.04	李芳忠



Specifications
 Current Rating:3Amp
 Insulation Resistance:1000MΩMin.
 Dielectric Withstanding Voltage:600VAC
 Contact Resistance:20mΩMax.
 Operating Temperature:-40°C to +105°C
 Materials
 Contact Material:Phosphor Bronze
 Insulator Material:High Temperature Thermoplastic, UL 94V-0 Nylon 6T(Halogen Free) or the equivalent material
 All materials must meet Greenconn requirement for environment protection.

Ordering Information

G PHA201 - XX XX A 001 R 1 A X

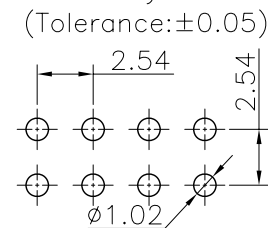
No. of Pins per Row
01~40

Standard Plating
02=Gold Flash
Selective Plating
01=Tin
05=Gold Flash/Tin

Color
1=Black

Standard Packing
A=Box
Selective Packing
C=Tube

Recommended P.C.Board Layout



格菱股份有限公司
Greenconn Corporation

GENERAL TOLERANCE	
X.*±5.0°	X.±0.30
.X*±3.0°	.X±0.25
.XX*±2.0°	.XX±0.15
.XXX*±1.0°	.XXX±0.10

DESIGN: 李芳忠	DATE: 2013.05.04
CHECKED: 劉北平	DATE: 2013.05.04
AUDITED:	DATE:
APPROVED:	DATE:

DWG. NO.	GPHA201-CA1RA
PART NO.	GPHA201-XXXX A001R1AX

TITLE.	2.54 PIN HEADER DUAL ROWS DIP TYPE CONNECTOR
--------	--

REV.	UNIT.	SCALE.	PAGE.
01	mm	3:1	1/1