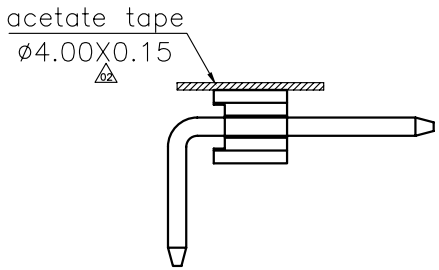
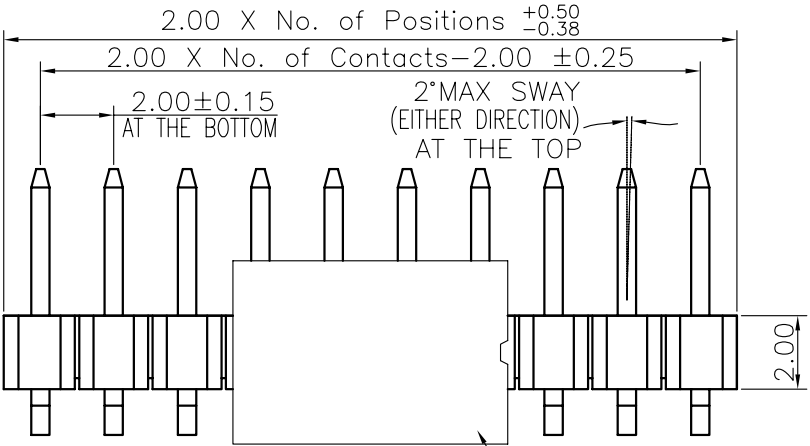


REV.	LOCAS.	DESCRIPTION	DATE	DRAWN
01	NEW	BATCH PRODUCTION INITIAL RELEASE.	2013.11.26	邱明周
02	△	依業務要求增加CAP與膠紙配方	2017.09.01	馮國東

F

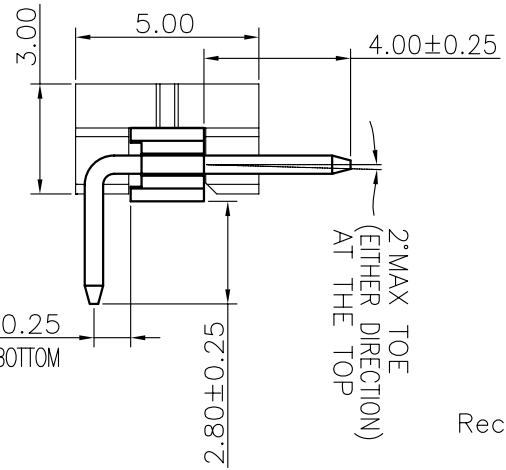
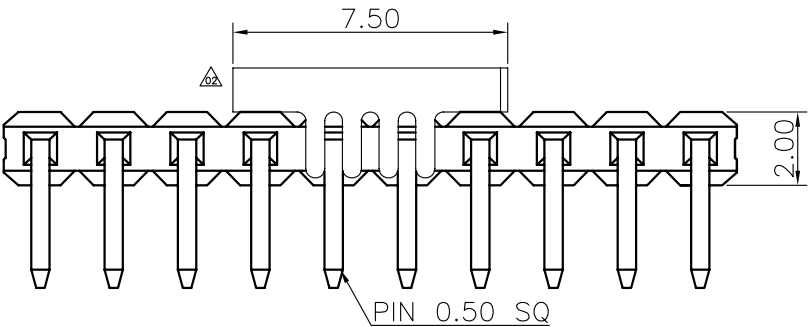


Specifications
 Current Rating: 2.0Amp
 Insulation Resistance: 1000MΩMin.
 Dielectric Withstanding Voltage: 500VAC
 Contact Resistance: 20mΩ Max.
 Operating Temperature: -40°C to +105°C
 Materials
 Contact Material: Brass
 Insulator Material: High Temperature Thermoplastic, UL 94V-0 Nylon 6T (Halogen Free) or the equivalent material
 All materials must meet GREENCONN hazardous substances control standards.

E

F

D



C

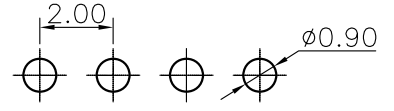
D

Ordering Information

G PFB101 - XX XX A 001 R 1 B X

No. of Pins per Row 01~40
 Standard Plating 02=Gold Flash
 Selective Plating 01=Tin 05=Gold Flash/Tin
 Color 1=Black
 Standard Packing A=Box
 Selective Packing C=Tube E=CAP+Tube F=CAP+Tape&Reel G=Acetate tape+Tube H=Acetate tape+T&R

Recommended P.C.Board Layout
 (Tolerance: ±0.05)



A

A

格稜股份有限公司
Greenconn Corporation

GENERAL TOLERANCE	
X.*±5.0°	X.±0.30
.X*±3.0°	.X±0.25
.XX*±2.0°	.XX±0.15
.XXX*±1.0°	.XXX±0.10

DESIGNED: 馮國東	DATE: 2017.09.01
CHECKED: 曹熙	DATE: 2017.09.01
CO SIGNED: 劉北平	DATE: 2017.09.01
APPROVED: 李輝	DATE: 2017.09.01

DWG. NO.	GPFB101-CA1RB
PART NO.	GPFB101-XXXX A001R1BX

TITLE.	2.00 PIN HEADER SINGLE ROW R/A TYPE CONNECTOR
--------	---

REV.	UNIT.	SCALE.	PAGE.
02	mm	5:1	1/1