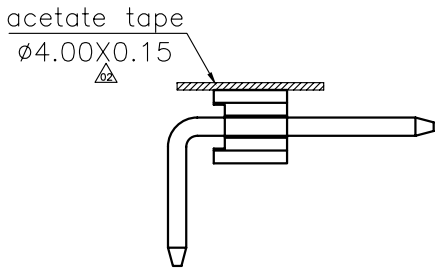
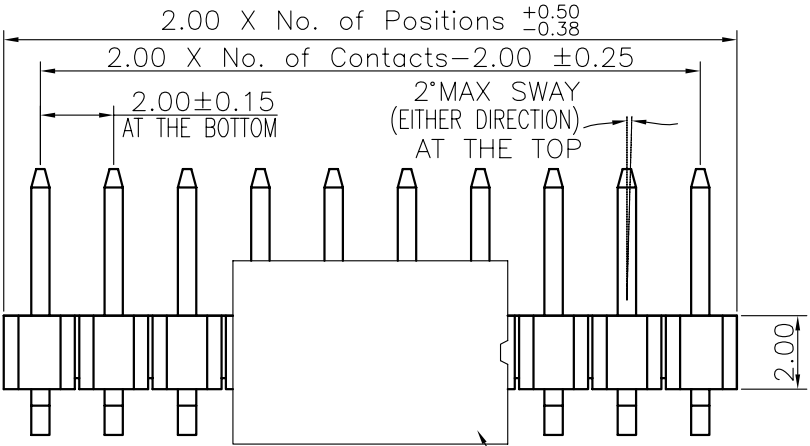


REV.	LOCAS.	DESCRIPTION	DATE	DRAWN
01	NEW	BATCH PRODUCTION INITIAL RELEASE.	2013.11.26	邱明周
02	△	依業務要求增加CAP與膠紙配方	2017.09.01	馮國東

F

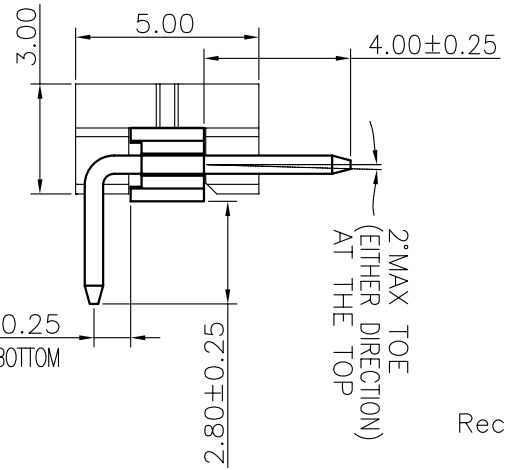
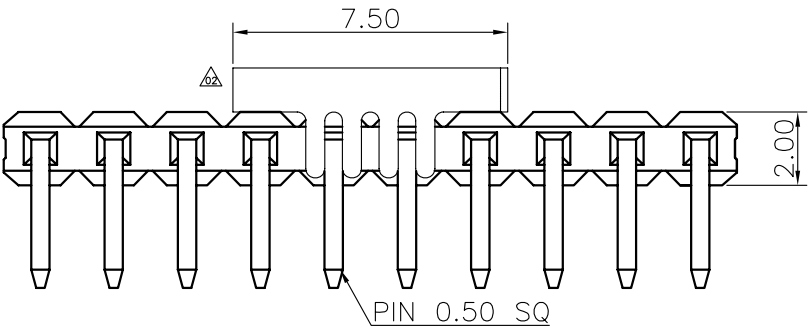


Specifications  
 Current Rating: 2.0Amp  
 Insulation Resistance: 1000MΩMin.  
 Dielectric Withstanding Voltage: 500VAC  
 Contact Resistance: 20mΩ Max.  
 Operating Temperature: -40°C to +105°C  
 Materials  
 Contact Material: Brass  
 Insulator Material: High Temperature Thermoplastic, UL 94V-0 Nylon 6T (Halogen Free) or the equivalent material  
 All materials must meet GREENCONN hazardous substances control standards.

E

F

D



C

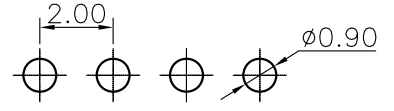
D

### Ordering Information

G PFB101 - XX XX A 001 R 1 B X

No. of Pins per Row 01~40  
 Standard Plating 02=Gold Flash  
 Selective Plating 01=Tin 05=Gold Flash/Tin  
 Color 1=Black  
 Standard Packing A=Box  
 Selective Packing C=Tube E=CAP+Tube F=CAP+Tape&Reel G=Acetate tape+Tube H=Acetate tape+T&R

Recommended P.C.Board Layout  
 (Tolerance: ±0.05)



A

A

格稜股份有限公司  
**Greenconn Corporation**

GENERAL TOLERANCE	
X. ±5.0°	X. ±0.30
.X ±3.0°	.X ±0.25
.XX ±2.0°	.XX ±0.15
.XXX ±1.0°	.XXX ±0.10

DESIGNED: 馮國東	DATE: 2017.09.01
CHECKED: 曹熙	DATE: 2017.09.01
CO SIGNED: 劉北平	DATE: 2017.09.01
APPROVED: 李輝	DATE: 2017.09.01

DWG. NO.	GPFB101-CA1RB
PART NO.	GPFB101-XXXX A001R1BX

TITLE.	2.00 PIN HEADER SINGLE ROW R/A TYPE CONNECTOR
--------	---

REV.	UNIT.	SCALE.	PAGE.
02	mm	5:1	1/1