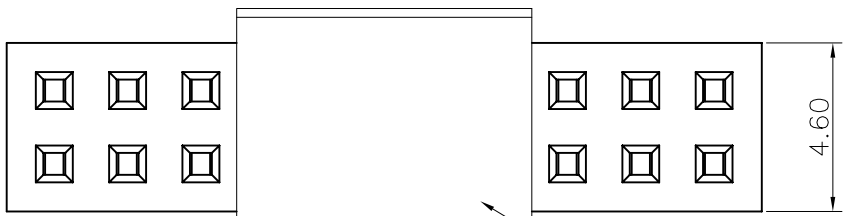
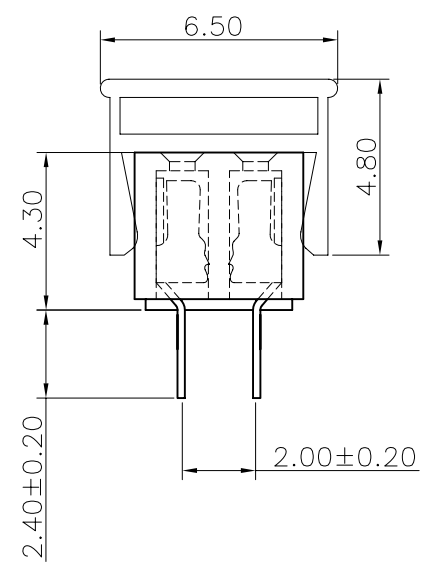
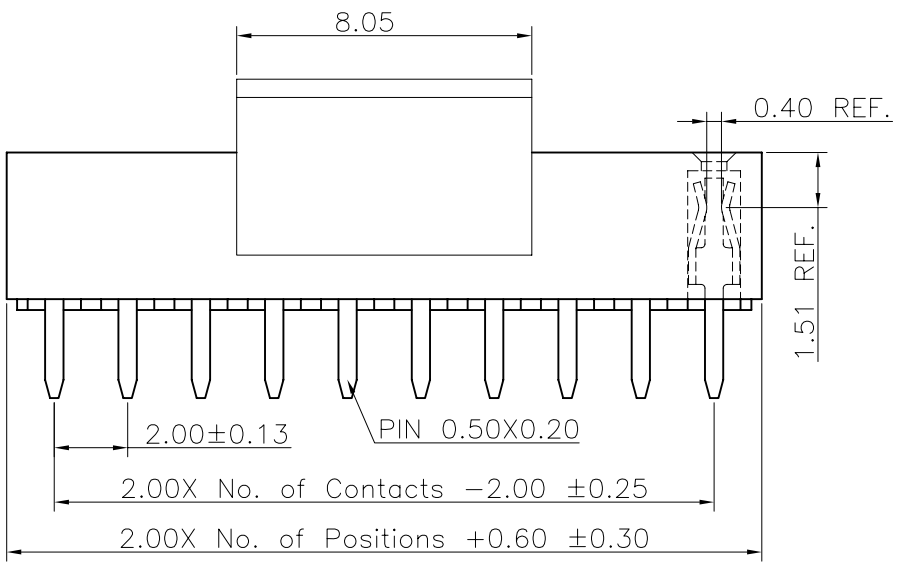


REV.	LOCAS.	DESCRIPTION	DATE	DRAWN
01	NEW	BATCH PRODUCTION INITIAL RELEASE.	2010.06.08	謝金發
02	△	依上級要求變更圖號	2012.04.25	李芳忠
03	△	依業務要求增加82電鍍碼	2019.10.17	馮國東



The cap used above 4pins



Specifications  
 Current Rating:2.0Amp  
 Insulation Resistance:1000MΩMin.  
 Dielectric Withstanding Voltage:500VAC  
 Contact Resistance:20mΩMax.  
 Operating Temperature:-40°C to +105°C  
 Materials  
 Contact Material:Phosphor Bronze  
 Insulator Material:High Temperature Thermoplastic, UL 94V-0 Nylon 6T (Halogen Free) or the equivalent material  
 All materials must meet Greenconn hazardous substances control standards.

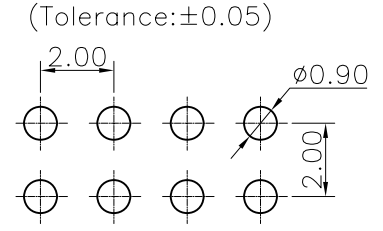
### Ordering Information

C SFA201 - XX XX A 001 R 1 A X

No. of Pins per Row 02~40  
 Standard Plating 02=Gold Flash  
 Selective Plating 01=Tin  
 05=Gold Flash/Tin  
 △82=1u'' gold over 100~150u'' Nickel

Color 1=Black  
 Standard Packing A=Box  
 Selective Packing C=Tube  
 E=Cap+Tube  
 F=Cap+Tape&Reel

### Recommended P.C.Board Layout



格菱股份有限公司  
**Greenconn Corporation**

GENERAL TOLERANCE	
X.*±5.0°	X.±0.30
.X*±3.0°	.X±0.25
.XX*±2.0°	.XX±0.15
.XXX*±1.0°	.XXX±0.10

DESIGNED: 馮國東	DATE: 2019.10.17
CHECKED: 邱國延(代)	DATE: 2019.10.17
CO SIGNED: 鐘隆進	DATE: 2019.10.17
APPROVED: 邱國延	DATE: 2019.10.17

DWG. NO.	CSFA201-CA1RA
PART NO.	CSFA201-XXXX A001R1AX

TITLE:  
 2.00 FEMALE HEADER  
 DUAL ROWS DIP TYPE  
 CONNECTOR

REV. 03	UNIT. mm	SCALE. 5:1	PAGE. 1/1	
---------	----------	------------	-----------	--