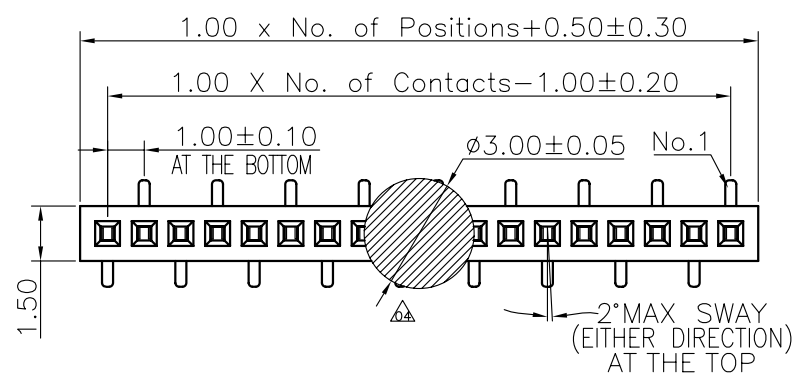


REV.	LOCAS.	DESCRIPTION	DATE	DRAWN
01	NEW	BATCH PRODUCTION INITIAL RELEASE.	2009.03.11	許承佑
02	△	修改特性統一	2010.03.09	車 激
03	△	變更圖號與注解	2011.07.13	黃明霞
04	△	以防止膠紙脫落, 變更02-40pin膠紙規格	2012.08.24	黃小燕
05	△	Layout錯誤更正Layout	2013.11.22	李芳忠
06	△	依業務要求增加米色塑膠	2017.06.19	馮國東

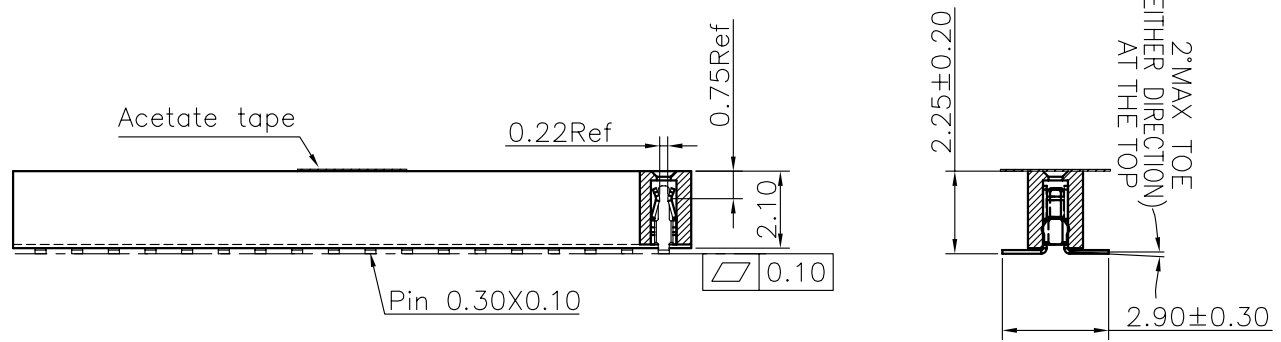
F



E

Specifications
 Current Rating: 1Amp
 Insulation Resistance: 1000MΩMin.
 Dielectric Withstanding Voltage: 300VAC
 Contact Resistance: 20mΩMax.
 Operating Temperature: -40°C to +105°C
 Materials
 Contact Material: Phosphor Bronze
 Insulator Material: High Temperature Thermoplastic, UL 94V-0 LCP or the equivalent material
 All materials must meet Greenconn hazardous substances control standards.

D



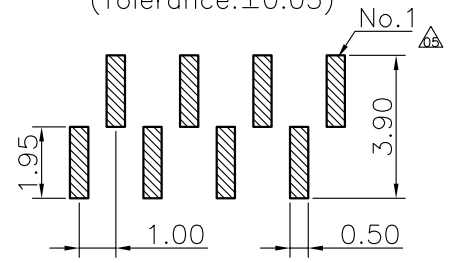
C

Ordering Information

C SCC118 - XX XX A 002 C X A X

No. of Pins per Row 02~40
 Standard Plating 02=Gold Flash
 Selective Plating 01=Tin 05=Gold Flash/Tin
 Color 1=Black △△E=Beige
 Standard Packing C=Tube
 Selective Packing A=box E=Cap+Tube F=Cap+Tape&Reel G=Acetate Tape+Tube H=Acetate Tape+Tape&Reel

Recommended P.C.Board Layout (Tolerance: ±0.05)



B

A

格稜股份有限公司 Greenconn Corporation			GENERAL TOLERANCE		DESIGNED: 馮國東	DATE: 2017.06.19	DWG. NO. △ CSCC118-CA2CA	TITLE. 1.00 FEMALE HEADER SINGLE ROW SMT TYPE CONNECTOR
			X.*±5.0°	X.±0.30	CHECKED: 曹 熙	DATE: 2017.06.19		
REV. 06	UNIT. mm	SCALE. 5:1	PAGE. 1/1	△	CO SIGNED: 劉北平	DATE: 2017.06.19	PART NO. CSCC118-XXXX A002CXAX	
					APPROVED: 李 輝	DATE: 2017.06.19		