

CL21

Metallized Polyester Film Capacitors

## 金属化聚酯膜电容器

CL21



### 产品特点.Characteristics

- 金属化聚酯膜材质;
- 无感卷绕结构;
- 环氧树脂粉末封装;
- 自愈性好;
- 容量范围宽, 体积小。
- Metallized polyester film dielectric
- Non-inductive winding structure
- Epoxy powder coating
- Perfect self healing
- Wide range of capacity and small volume

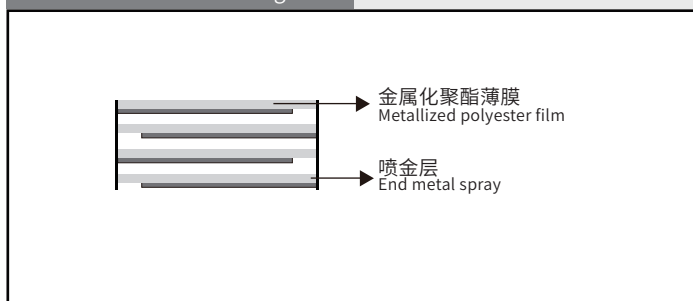
### 产品应用.Application

- 直流和VHF级信号的隔直、旁路和耦合电路
- 广泛用于滤波、降噪和低脉冲电路中
- DC, VHF signal isolation, bypass and coupling circuits
- Widely used in filtering, noise reduction and low pulse circuits

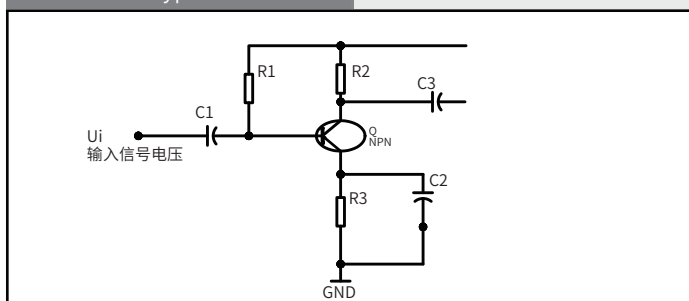
### 性能参数.Technical Data

● 引用标准 Reference Standards	GB/T 7332(IEC 60384-2)					
● 气候类别 Climate Category	55/105/21					
● 工作温度范围 Operating Temperature Range	-55°C~+85°C Tmax +105°C					
● 额定电压 Rated Voltage	100VDC、250VDC、400VDC、630VDC					
● 电容量范围 Capacitance Range	0.01μF~10 μF					
● 电容量偏差 Capacity Tolerance	±5%(J); ±10%(K); ±20% (M)					
● 耐电压 Withstand Voltage	V <sub>it</sub> : 1.6UN 5S (at20±5°C)					
● 损耗角正切 Dissipation Factor	tgδ≤0.0100 (20°C, 1KHz)					
	tgδ≤0.0150 (20°C, 10KHz)					
● 绝缘电阻 Insulation Resistance	C≤0.33μF R≥30000MΩ(at20°C 100VDC 1Min)					
	C>0.33 μF RCN≥10000S (at20°C 100VDC 1Min)					
● 最大脉冲爬升速度 Maximum Pulse Rise Time(dV/dt)	U <sub>N</sub> (V)	dV/dt				
		P=7.5	P=10	P=15	P=20	P=25
	100	25	25	20	10	5
	250	---	100	40	20	15
	400	---	150	60	30	25
630	---	200	80	35	35	

### 结构图.Construction Diagram



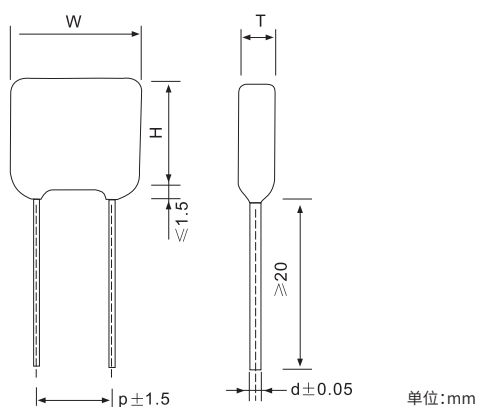
### 典型线路图.Typical Circuit



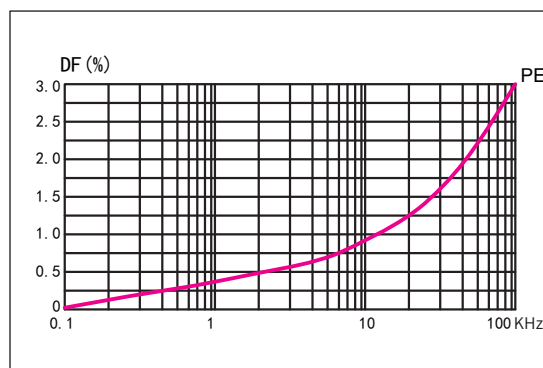
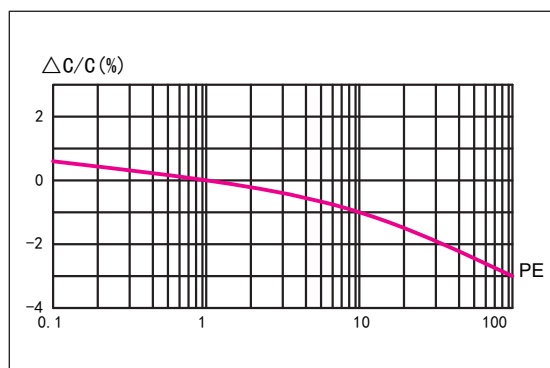
## CL21

## Metallized Polyester Film Capacitors

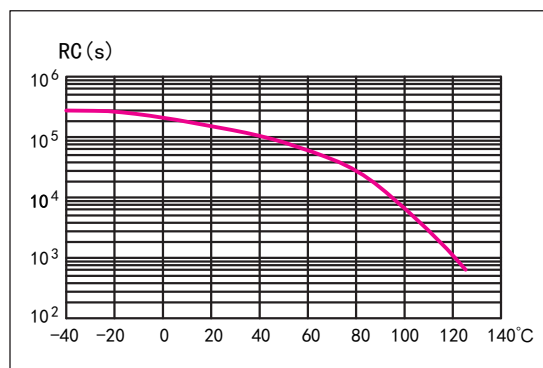
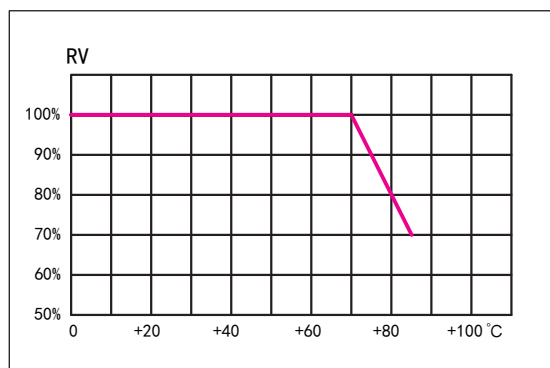
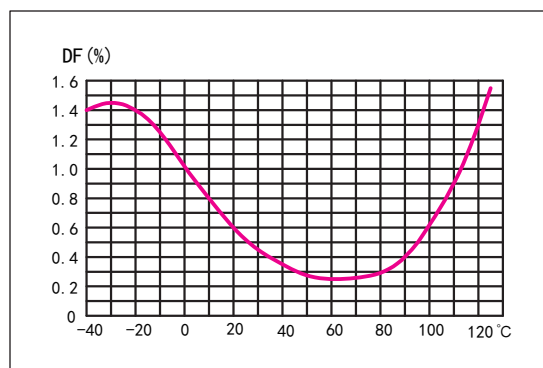
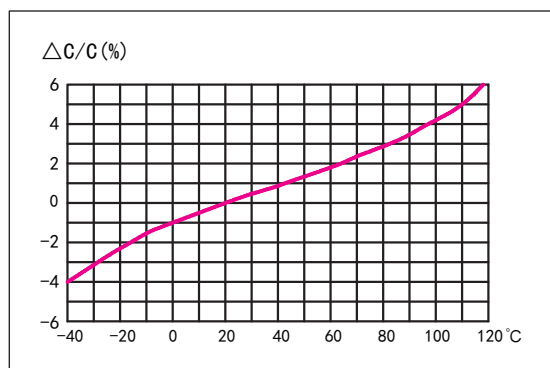
### 产品外形.Product Shape



### 频率特性.Temperature Characteristics



### 温度特性.Frequency Characteristics



## CL21

## Metallized Polyester Film Capacitors

参数表.Article Table

R 系列尺寸图

Capacity ( $\mu$ F)	尺寸标注 Size mark	250V					400V					630V				
		Wmax	Tmax	Hmax	P	d	Wmax	Tmax	Hmax	P	d	Wmax	Tmax	Hmax	P	d
0.0100	R											13.0	5.5	9.5	10.0	0.6
0.0150	R											13.0	6.0	10.0	10.0	0.6
0.0220	R											13.0	7.0	11.0	10.0	0.6
0.0330	R											13.0	5.5	9.5	10.0	0.6
0.0470	R											13.0	6.0	10.0	10.0	0.6
0.0680	R											13.0	7.0	11.5	10.0	0.6
0.0820	R											18.0	6.5	10.5	15.0	0.6
0.1000	R	13.0	4.5	8.0	10.0	0.6						18.0	6.5	11.0	15.0	0.6
0.1500	R	13.0	5.5	9.5	10.0	0.6	13.0	6.5	10.5	10.0	0.6	18.0	8.0	13.0	15.0	0.8
0.2200	R	13.0	6.0	10.5	10.0	0.6	13.0	8.0	12.0	10.0	0.6	18.0	8.0	13.0	15.0	0.8
0.3300	R	13.0	7.5	12.0	10.0	0.6	18.0	7.0	12.0	15.0	0.6	18.0	9.5	16.0	15.0	0.8
0.4700	R	18.0	6.5	11.5	15.0	0.6	18.0	8.5	13.5	15.0	0.8	18.0	11.5	18.0	15.0	0.8
0.6800	R	18.0	7.5	12.5	15.0	0.6	18.0	9.5	16.0	15.0	0.8	23.0	11.0	17.5	20.0	0.8
0.8200	R	18.0	8.5	13.5	15.0	0.8	23.0	8.5	15.5	20.0	0.8	23.0	12.5	19.5	20.0	0.8
1.0000	R	18.0	8.5	15.0	15.0	0.8	23.0	10.0	16.5	20.0	0.8	23.0	13.5	20.5	20.0	0.8
1.2000	R	23.0	8.5	13.5	20.0	0.8	23.0	10.5	17.0	20.0	0.8	30.0	12.5	19.0	27.0	0.8
1.5000	R	23.0	9.0	15.0	20.0	0.8	23.0	11.5	18.5	20.0	0.8	30.0	14.0	20.5	27.0	0.8
2.2000	R	23.0	11.0	17.0	20.0	0.8	30.0	12.0	18.5	27.0	0.8	30.0	17.0	23.5	27.0	0.8
3.3000	R	30.0	11.5	18.0	27.0	0.8	30.0	14.5	21.0	27.0	0.8	34.0	19.5	26.0	31.0	0.8
4.7000	R	30.0	14.0	20.5	27.0	0.8	30.0	18.5	24.5	27.0	0.8					
10.0000	R	34.5	19.0	25.0	31.0	0.8										

U 系列尺寸图

Capacity ( $\mu$ F)	Size mark	250V					400V					630V				
		Wmax	Tmax	Hmax	P	d	Wmax	Tmax	Hmax	P	d	Wmax	Tmax	Hmax	P	d
0.0680	U											13.0	5.5	9.5	10.0	0.6
0.1000	U						11.0	6.0	10.0	7.5	0.6	18.0	6.0	10.0	15.0	0.6
0.1500	U						13.0	5.5	9.5	10.0	0.6	18.0	7.0	12.0	15.0	0.6
0.2200	U	13.0	5.0	9.0	10.0	0.6	13.0	5.5	10.0	10.0	0.6	18.0	7.0	12.0	15.0	0.6
0.3300	U	13.0	6.0	10.0	10.0	0.6	18.0	6.0	10.0	15.0	0.6	18.0	8.0	14.5	15.0	0.8
0.4700	U	18.0	5.5	9.5	15.0	0.6	18.0	6.5	11.0	15.0	0.6	18.0	9.0	15.0	15.0	0.8
0.6800	U	18.0	6.0	10.5	15.0	0.6	18.0	7.5	12.5	15.0	0.8	23.0	9.5	15.5	20.0	0.8
0.8200	U	18.0	6.5	11.5	15.0	0.6	23.0	7.0	12.0	20.0	0.6	23.0	10.5	17.0	20.0	0.8
1.0000	U	18.0	7.0	12.0	15.0	0.6	18.0	8.5	15.0	15.0	0.8	23.0	11.5	18.5	20.0	0.8
1.2000	U						23.0	8.0	13.0	20.0	0.8	30.0	10.5	17.0	27.0	0.8
1.5000	U	23.0	7.0	12.0	20.0	0.6	23.0	10.0	14.5	20.0	0.8	30.0	11.5	17.5	27.0	0.8
2.2000	U	23.0	8.0	14.5	20.0	0.8	30.0	9.5	16.0	27.0	0.8	30.0	14.5	21.0	27.0	0.8
3.3000	U	23.0	10.0	16.5	20.0	0.8	30.0	11.5	17.5	27.0	0.8	34.0	16.5	23.5	31.0	0.8
4.7000	U	30.0	10.0	16.5	27.0	0.8	30.0	14.0	20.5	27.0	0.8	34.0	20.0	26.5	31.0	0.8
10.0000	U	34.5	14.5	21.0	31.0	0.8	34.5	19.5	26.0	31.0	0.8					

以上表格/图形仅供参考, 以实物为准。 The above table / graphics are for reference only, subject to the actual product (unit: mm)

特别说明:

U系列产品较R系列产品的体积略小, 产品性能达到GB/T 10190(IEC 60384-16)的标准

Remark:

The U series has a smaller volume than the R series products, and its product performance reaches GB/T 10190 (IEC 60384-16) standard.