

TO-263 (35W)

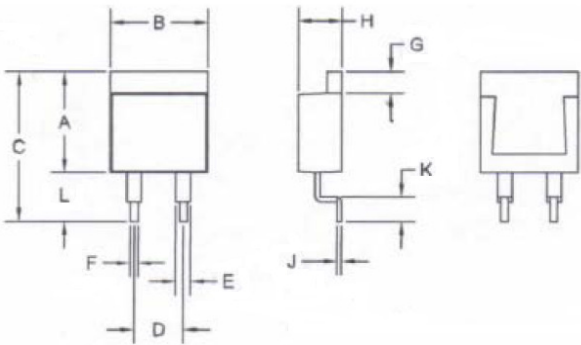
Features

- 35 Watts at 25°C case temperature heat sink mounted
- TO-263 style power package
- Molded case for protection and easy to mount
- Resistor is electrically isolated from metal tab

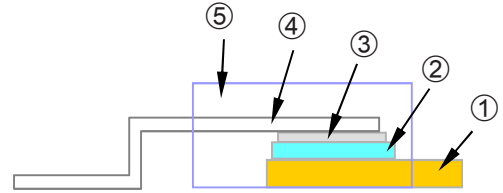
Applications

- Switching Power Supplies
- Snubbers Circuits
- Automated Machine Controller
- RF Power Amplifiers
- Low Energy Pulse Loading
- UPS
- Voltage Regulation

Dimensions



Construction



| | |
|---------------------|-----------|
| ① Flange | ④ Lead |
| ② Alumina Substrate | ⑤ Molding |
| ③ Resistor Layer | |



Unit:mm

| A | B | C | D | E | F | G | H | J | K | L | Weight (g) |
|-------------|-------------|-------------|-------------|--------------|--------------|-------------|------------|------------|------------|------------|------------|
| 10.2 0.3 | 10.1 0.3 | 15.9 1.0 | 5.08 0.1 | 1.32 0.15 | 0.85 0.15 | 1.15 0.2 | 4.6 0.2 | 0.6 0.1 | 2.5 0.5 | 5.5 1.0 | 1.5 |

Part Numbering

| T0 | 263 | 35W | 47R | 5% | |
|-------|-----|-----|---|--------------------------------------|---|
| ↓ | ↓ | ↓ | ↓ | ↓ | ↓ |
| 产品类别 | 封装 | 功率 | 阻值 | 精度 | |
| 大功率电阻 | 263 | 35W | R100: 0.1 0100: 10 4700: 470 1001: 1K 1002: 10K | D=±0.5% F=±1% J=±5% K: ±10% | |

地址：深圳市龙华新区观澜大布头路南通邦高新产业园 A 栋 8 楼



大功率电阻系列规格书

| | |
|------|------------|
| 系列号 | TO-263 |
| 修订日期 | 2022-02-17 |
| 版本号 | Ho-A0 |

TO-263 (35W)

Electrical Characteristics Specifications

| Resistance Range | | | | TCR (PPM/° C) |
|------------------|-----|-------------|------|----------------------|
| ±0.5% | ±1% | ±5% | ±10% | |
| | | 0.5Ω -0.91Ω | | No Specified |
| | | >1Ω -2.7Ω | | ±100 ±200 ±300 |
| | | >3Ω -10Ω | | ±100 ±200 |
| | | >10Ω -100KΩ | | ±50 ±100 ±200 |

- Operating Voltage: 500V Max.
- Dielectric Strength: 2000VAC
- Insulation Resistance: 10GΩ min.
- Working Temperature Range: -55°C to +175°C

Environmental Characteristics

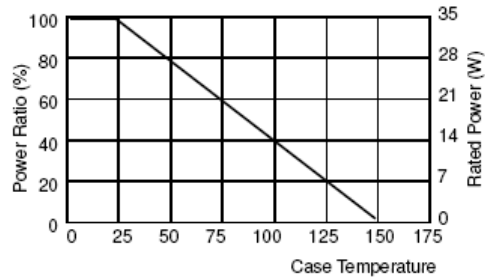
| Item | Requirement | Test Method |
|--|-------------------|---|
| Temperature Coefficient of Resistance (T.C.R.) | As Spec. | Referenced to 25°C, ΔR taken at +105°C |
| Short Time Overload | ΔR±0.3% | 2 times rated power with applied voltage not to exceed 1.5 times Maximum continuous operating voltage for 5 seconds |
| Load Life | ΔR±1.0% | 2,000 hours at rated power |
| Damp Heat with Load | ΔR±0.5% | 40±2°C, 90~95% R.H. Max. working voltage for 1000 hrs with 1.5 hrs "ON" and 0.5 hrs "OFF" |
| Solderability | 90% min. coverage | 245±5°C for 3 seconds |
| Thermal Shock | ΔR±0.3% | -55°C~175°C, 100 cycles |
| Terminal Strength | ΔR±0.2% | (Pull Test) 2.4N |
| Vibration, High Frequency | ΔR±0.2% | 20g peak |

- Lead Material: Tinned Copper
- Maximum Torque: 0.9 Nm
- Without a Heat Sink, When in Free Air at 25°C, the STR35 is Rated for 2.5W
- The Case Temperature is to be used for the Definition of the Applied Power Limit
- The Case Temperature Measurement must be made with a Thermocouple Contacting the Center of the Component mounted on the Designed Heat Sink.
- Thermal Grease should be Applied Properly.

地址：深圳市龙华新区观澜大布头路南通邦高新产业园 A 栋 8 楼

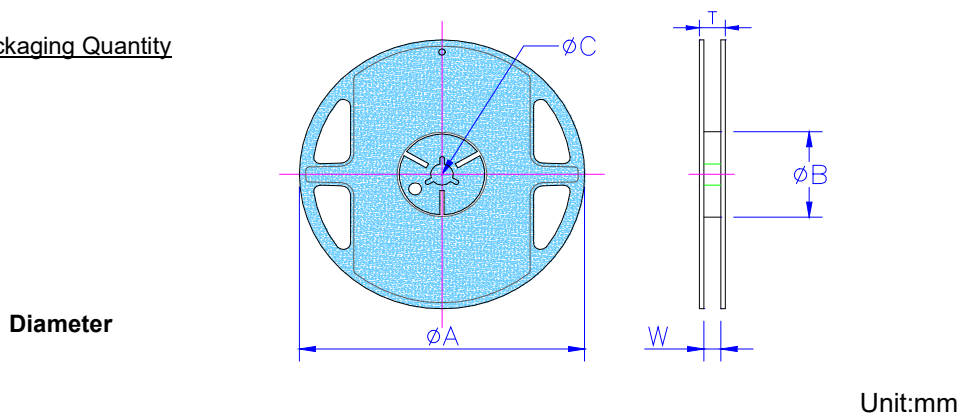
TO-263 (35W)

Derating Curve



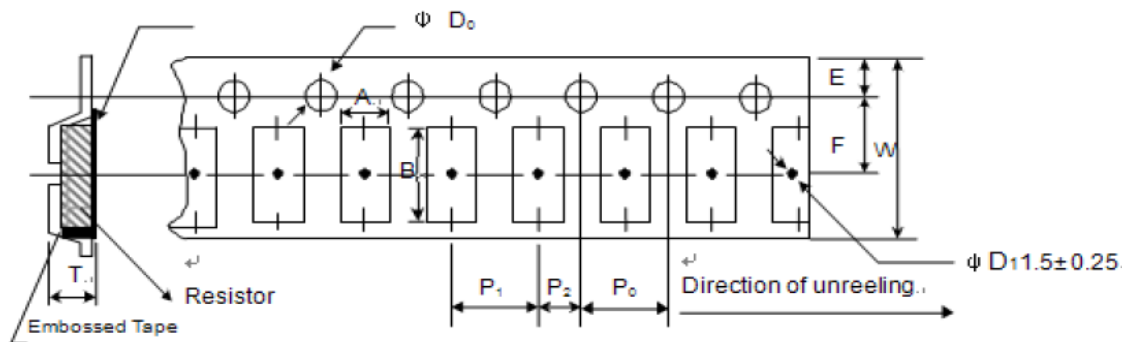
Packaging

Reel Specifications & Packaging Quantity



| Type | Packaging Quantity | Reel Diameter | ΦA | ΦB | ΦC | W | T |
|------|--------------------|---------------|---------|---------|----------|----------|----------|
| 263 | 500 pcs | 13 inch | 330±1.0 | 100±0.5 | 13.5±0.3 | 25.4±0.5 | 30.0±0.5 |

Embossed Plastic Tape Specifications



| Type | A | B | W | E | F | P0 | P1 | P2 | ΦD0 | T |
|-------|------------|------------|-----------|----------|----------|---------|----------|---------|-----------|-----------|
| STR35 | 10.80±0.10 | 16.13±0.10 | 24.0±0.30 | 1.75±0.1 | 11.5±0.1 | 4.0±0.1 | 16.0±0.1 | 2.0±0.1 | 1.55±0.05 | 5.25±0.20 |

Tube Packaging Quantity

| Type | Packaging Tube |
|------|----------------|
| 263 | 50 pcs |

地址：深圳市龙华新区观澜大布头路南通邦高新产业园 A 栋 8 楼