

## TO-263 (35W)

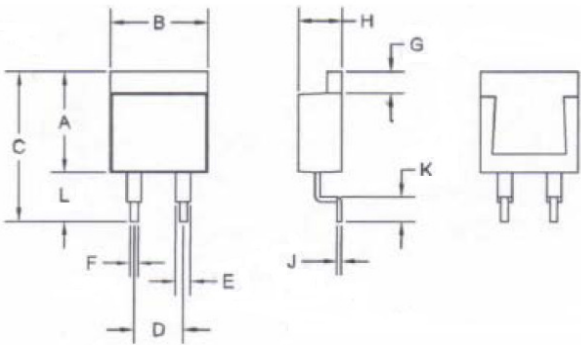
### Features

- 35 Watts at 25°C case temperature heat sink mounted
- TO-263 style power package
- Molded case for protection and easy to mount
- Resistor is electrically isolated from metal tab

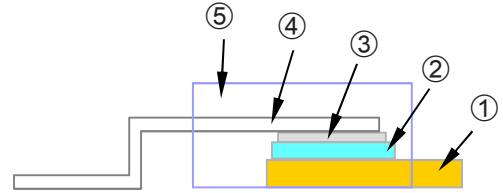
### Applications

- Switching Power Supplies
- Snubbers Circuits
- Automated Machine Controller
- RF Power Amplifiers
- Low Energy Pulse Loading
- UPS
- Voltage Regulation

### Dimensions



### Construction



① Flange	④ Lead
② Alumina Substrate	⑤ Molding
③ Resistor Layer	



Unit:mm

A	B	C	D	E	F	G	H	J	K	L	Weight (g)
10.2 0.3	10.1 0.3	15.9 1.0	5.08 0.1	1.32 0.15	0.85 0.15	1.15 0.2	4.6 0.2	0.6 0.1	2.5 0.5	5.5 1.0	1.5

### Part Numbering

T0	263	35W	47R	5%	
↓	↓	↓	↓	↓	↓
产品类别	封装	功率	阻值	精度	
大功率电阻	263	35W	R100: 0.1 0100: 10 4700: 470 1001: 1K 1002: 10K	D=±0.5% F=±1% J=±5% K: ±10%	

地址：深圳市龙华新区观澜大布头路南通邦高新产业园 A 栋 8 楼



# 大功率电阻系列规格书

系列号	TO-263
修订日期	2022-02-17
版本号	Ho-A0

## TO-263 (35W)

### Electrical Characteristics Specifications

Resistance Range				TCR (PPM/° C)
±0.5%	±1%	±5%	±10%	
		0.5Ω -0.91Ω		No Specified
		>1Ω -2.7Ω		±100 ±200 ±300
		>3Ω -10Ω		±100 ±200
		>10Ω -100KΩ		±50 ±100 ±200

- Operating Voltage: 500V Max.
- Dielectric Strength: 2000VAC
- Insulation Resistance: 10GΩ min.
- Working Temperature Range: -55°C to +175°C

### Environmental Characteristics

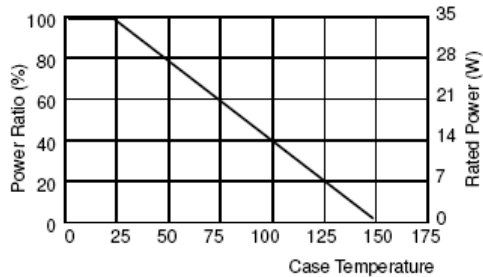
Item	Requirement	Test Method
Temperature Coefficient of Resistance (T.C.R.)	As Spec.	Referenced to 25°C, ΔR taken at +105°C
Short Time Overload	ΔR±0.3%	2 times rated power with applied voltage not to exceed 1.5 times Maximum continuous operating voltage for 5 seconds
Load Life	ΔR±1.0%	2,000 hours at rated power
Damp Heat with Load	ΔR±0.5%	40±2°C, 90~95% R.H. Max. working voltage for 1000 hrs with 1.5 hrs "ON" and 0.5 hrs "OFF"
Solderability	90% min. coverage	245±5°C for 3 seconds
Thermal Shock	ΔR±0.3%	-55°C~175°C, 100 cycles
Terminal Strength	ΔR±0.2%	(Pull Test) 2.4N
Vibration, High Frequency	ΔR±0.2%	20g peak

- Lead Material: Tinned Copper
- Maximum Torque: 0.9 Nm
- Without a Heat Sink, When in Free Air at 25°C, the STR35 is Rated for 2.5W
- The Case Temperature is to be used for the Definition of the Applied Power Limit
- The Case Temperature Measurement must be made with a Thermocouple Contacting the Center of the Component mounted on the Designed Heat Sink.
- Thermal Grease should be Applied Properly.

地址：深圳市龙华新区观澜大布头路南通邦高新产业园 A 栋 8 楼

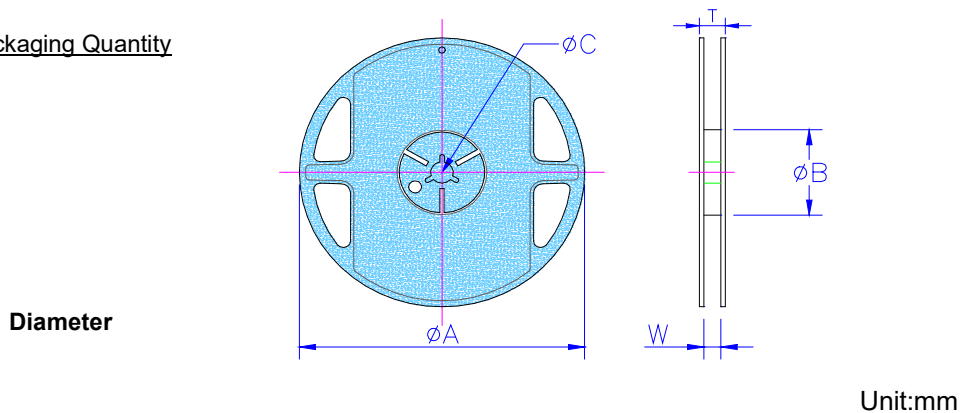
## TO-263 (35W)

### Derating Curve



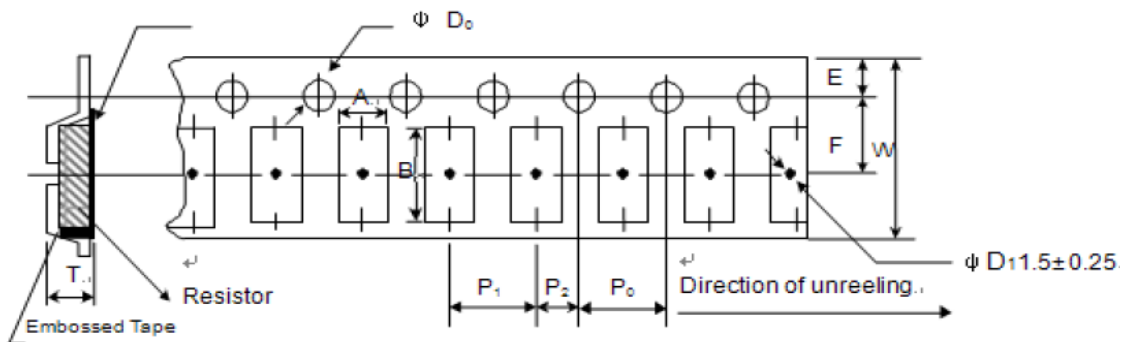
### Packaging

Reel Specifications & Packaging Quantity



Type	Packaging Quantity	Reel Diameter	ΦA	ΦB	ΦC	W	T
263	500 pcs	13 inch	330±1.0	100±0.5	13.5±0.3	25.4±0.5	30.0±0.5

Embossed Plastic Tape Specifications



Type	A	B	W	E	F	P0	P1	P2	ΦD0	T
STR35	10.80±0.10	16.13±0.10	24.0±0.30	1.75±0.1	11.5±0.1	4.0±0.1	16.0±0.1	2.0±0.1	1.55±0.05	5.25±0.20

Tube Packaging Quantity

Type	Packaging Tube
263	50 pcs

地址：深圳市龙华新区观澜大布头路南通邦高新产业园 A 栋 8 楼