

D1 电容器

BSMJS 自愈式低压并联电容器



选型指南

产品型号	是否带电抗	额定电压	额定补偿容量	补偿方式	外壳形式
BSMJS	0	04500	0150	3	D
	0: 不带电抗 2: 带电抗	02300: 0.23KV 02500: 0.25KV 02800: 0.28KV 04000: 0.4KV 04150: 0.415KV 04400: 0.44KV 04500: 0.45KV 04800: 0.48KV 05250: 0.525V 06900: 0.69KV 07500: 0.75KV 02303: 0.23√3KV 02503: 0.25√3KV 02803: 0.28√3KV 04003: 0.4√3KV	0005 0.5kvar ... 0075: 7.5kvar ... 0100: 10kvar ... 0150: 15kvar ... 0200: 20kvar ... 0300: 30kvar ... 0400: 40kvar ... 0600: 60kvar	1: 单相补偿 3: 三相补偿 4: 分相补偿3YN	D: D型 M: M型 Q: Q型

注1：不同补偿方式的电压表示方式

单相补偿额定工作电压取决于客户使用方式，相或线皆可；

三相补偿额定工作电压使用线电压表示；

分相补偿额定工作电压使用相电压√3表示；

注2：不同补偿方式以及不同额定工作电压最大补偿容量不同

注3：不同补偿方式以及不同额定工作电压外形尺寸不同，分为以下几种类型

D: D型扁圆壳体

M: M型长方壳体

Q: Q型长方壳体

注4：不同工作电压以及不同补偿方式容量范围以及尺寸参见详表

注5：补偿方式、额定工作电压范围内的其它补偿容量可定制

物料描述释义

BSMJS - □ - □ - □ - □ - □
例: BSMJS - 0 - 0.45 - 20 - 3 - D

		例	
		BSMJS-0-0.45-20-3-D	
壳体代号 (D、M、Q)		D	D型壳体
相数 (1:单相补偿; 3:三相补偿; 4:分相补偿3YN)		3	三相补偿
补偿容量kvar		20	20kvar
额定电压 (KV)	单相补偿用线/相电压表示 三相补偿用线电压表示 分相补偿用相电压√3表示 如: 0.25√3	0.45	线电压: 0.45KV
是否带电抗器(0:不带电抗器; 2: 带电抗器)		0	不带电抗器
产品型号		BSMJS	BSMJS

D1 电容器

BSMJS 自愈式低压并联电容器

产品特征



- 核心材料：聚丙烯金属化薄膜
- 防爆结构：采用过压力隔离器
- 外壳采用磨砂铁皮加防锈覆膜/马口铁喷漆处理
- 单元件用软铜线引向铜质导电螺杆端子
- 端子座体采用黑色酚醛材料加热压注而成
- 透明防弧、防尘罩用PC材质加热压注而成
- 安装支架采用滑插式反扣结构,PC材质热压注而成

工作条件及安装条件



- 环境空气温度：-25℃~50℃ (C类)
- 相对湿度：40℃时≤50% 20℃时≤90%
- 海拔高度：≤2000m
- 环境条件：无有害气体和蒸汽,无导电性和爆炸尘埃,无剧烈机械振动
- 安装位置：垂直安装,各方向的倾斜度不超过10°

技术参数

国际标准	IEC60831-1996	
国家标准	GB/T12747-2017	
额定电压	230V、250V、280V、400V、415V、440V、450V、480V、660V、690V、760V	
额定容量	0.5~60kvar	
容量偏差	μF	额定容量的0~+10%
损耗角正切值	$\tan \delta$	在工频额定电压下, 20℃ $\tan \delta \leq 0.2\%$
额定频率	50 Hz	
极间耐压	Un	额定电压的2.15S
允许过电压	Un	额定电压的1.10 (每24小时中不得超过8小时)
允许过电流	In	额定电流的1.43
自放电特性	断电后3分钟剩余电压从 $\sqrt{2}U_n$ 降至50V以下	
对地电压	(Ue) V	3000V AC 50Hz



D1 电容器

BSMJS 自愈式低压并联电容器

单相补偿

电抗	电压	容量	相数	壳体	物料编码	物料描述	额定电流	额定电容		
0.23	230	1	1	D130	BSMJS00230000101D	BSMJS-0-0.23-1-1-D	4.3	60.17		
		3	1	D130	BSMJS00230000301D	BSMJS-0-0.23-3-1-D	13	180.52		
		4	1	D130	BSMJS00230000401D	BSMJS-0-0.23-4-1-D	17.4	240.69		
		5	1	D130	BSMJS00230000501D	BSMJS-0-0.23-5-1-D	21.7	300.86		
		10	1	D210	BSMJS00230001001D	BSMJS-0-0.23-10-1-D	43.5	601.72		
		15	1	D290	BSMJS00230001501D	BSMJS-0-0.23-15-1-D	65.2	902.58		
		20	1	M265	BSMJS00230002001M	BSMJS-0-0.23-20-1-M	87	1203.44		
		25	1	Q210	BSMJS00230002501Q	BSMJS-0-0.23-25-1-Q	108.7	1504.3		
		30	1	Q210	BSMJS00230003001Q	BSMJS-0-0.23-30-1-Q	130.4	1805.16		
		0.25	250	2	1	D130	BSMJS00250000201D	BSMJS-0-0.25-2-1-D	8	101.86
				3	1	D130	BSMJS00250000301D	BSMJS-0-0.25-3-1-D	12	152.79
				4	1	D130	BSMJS00250000401D	BSMJS-0-0.25-4-1-D	16	203.72
				5	1	D130	BSMJS00250000501D	BSMJS-0-0.25-5-1-D	20	254.65
				8	1	D210	BSMJS00250000801D	BSMJS-0-0.25-8-1-D	32	407.44
				10	1	D210	BSMJS00250001001D	BSMJS-0-0.25-10-1-D	40	509.3
				12	1	D210	BSMJS00250001201D	BSMJS-0-0.25-12-1-D	48	611.15
15	1			D290	BSMJS00250001501D	BSMJS-0-0.25-15-1-D	60	763.94		
0.28	280	10	1	D210	BSMJS00280001001D	BSMJS-0-0.28-10-1-D	35.7	406.01		
		30	1	Q210	BSMJS00280003001Q	BSMJS-0-0.28-30-1-Q	107.1	1218.02		
0.4	400	1	1	D130	BSMJS00400000101D	BSMJS-0-0.4-1-1-D	2.5	19.89		
		3	1	D130	BSMJS00400000301D	BSMJS-0-0.4-3-1-D	7.5	59.68		
		4	1	D130	BSMJS00400000401D	BSMJS-0-0.4-4-1-D	10	79.58		
		5	1	D130	BSMJS00400000501D	BSMJS-0-0.4-5-1-D	12.5	99.47		
		7.5	1	D130	BSMJS00400000751D	BSMJS-0-0.4-7.5-1-D	18.8	149.21		
		8	1	D130	BSMJS00400000801D	BSMJS-0-0.4-8-1-D	20	159.15		
		10	1	D130	BSMJS00400001001D	BSMJS-0-0.4-10-1-D	25	198.94		
		12	1	D185	BSMJS00400001201D	BSMJS-0-0.4-12-1-D	30	238.73		
		13	1	D185	BSMJS00400001301D	BSMJS-0-0.4-13-1-D	32.5	258.63		
		14	1	D185	BSMJS00400001401D	BSMJS-0-0.4-14-1-D	35	278.52		
		15	1	D185	BSMJS00400001501D	BSMJS-0-0.4-15-1-D	37.5	298.42		
		16	1	D185	BSMJS00400001601D	BSMJS-0-0.4-16-1-D	40	318.31		

D1 电容器

BSMJS 自愈式低压并联电容器

单相补偿

电抗	电压	容量	相数	壳体	物料编码	物料描述	额定电流	额定电容
0.4	18	1	D210	BSMJS00400001801D	BSMJS-0-0.4-18-1-D	45	358.1	
	20	1	D210	BSMJS00400002001D	BSMJS-0-0.4-20-1-D	50	397.89	
	24	1	D245	BSMJS00400002401D	BSMJS-0-0.4-24-1-D	60	477.46	
	25	1	D245	BSMJS00400002501D	BSMJS-0-0.4-25-1-D	62.5	497.36	
	30	1	D290	BSMJS00400003001D	BSMJS-0-0.4-30-1-D	75	596.83	
	40	1	M265	BSMJS00400004001M	BSMJS-0-0.4-40-1-M	100	795.77	
	50	1	Q210	BSMJS00400005001Q	BSMJS-0-0.4-50-1-Q	125	994.72	
0.415	20	1	D210	BSMJS00415002001D	BSMJS-0-0.415-20-1-D	48.2	369.64	
	30	1	D290	BSMJS00415003001D	BSMJS-0-0.415-30-1-D	72.3	554.47	
	50	1	Q210	BSMJS00415005001Q	BSMJS-0-0.415-50-1-Q	120.5	924.11	
不带电抗	1	1	D130	BSMJS00450000101D	BSMJS-0-0.45-1-1-D	2.2	15.72	
	2	1	D130	BSMJS00450000201D	BSMJS-0-0.45-2-1-D	4.4	31.44	
	3	1	D130	BSMJS00450000301D	BSMJS-0-0.45-3-1-D	6.7	47.16	
	4	1	D130	BSMJS00450000401D	BSMJS-0-0.45-4-1-D	8.9	62.88	
	5	1	D130	BSMJS00450000501D	BSMJS-0-0.45-5-1-D	11.1	78.6	
	10	1	D130	BSMJS00450001001D	BSMJS-0-0.45-10-1-D	22.2	157.19	
	0.45	15	1	D185	BSMJS00450001501D	BSMJS-0-0.45-15-1-D	33.3	235.79
		16	1	D185	BSMJS00450001601D	BSMJS-0-0.45-16-1-D	35.6	251.5
		20	1	D210	BSMJS00450002001D	BSMJS-0-0.45-20-1-D	44.4	314.38
		25	1	D245	BSMJS00450002501D	BSMJS-0-0.45-25-1-D	55.6	392.98
		30	1	D290	BSMJS00450003001D	BSMJS-0-0.45-30-1-D	66.7	471.57
		40	1	M265	BSMJS00450004001M	BSMJS-0-0.45-40-1-M	88.9	628.76
		50	1	Q210	BSMJS00450005001Q	BSMJS-0-0.45-50-1-Q	111.1	785.95
	0.48	15	1	D210	BSMJS00480001501D	BSMJS-0-0.48-15-1-D	31.3	207.23
		20	1	D290	BSMJS00480002001D	BSMJS-0-0.48-20-1-D	41.7	276.31
30		1	M265	BSMJS00480003001M	BSMJS-0-0.48-30-1-M	62.5	414.47	
35		1	Q210	BSMJS00480003501Q	BSMJS-0-0.48-35-1-Q	72.9	483.54	
40		1	Q210	BSMJS00480004001Q	BSMJS-0-0.48-40-1-Q	83.3	552.62	
0.525	15	1	D210	BSMJS00525001501D	BSMJS-0-0.525-15-1-D	28.6	173.23	
	30	1	M265	BSMJS00525003001M	BSMJS-0-0.525-30-1-M	57.1	346.46	
	50	1	Q210	BSMJS00525005001Q	BSMJS-0-0.525-50-1-Q	95.2	577.43	

D1 电容器

BSMJS 自愈式低压并联电容器

三相补偿

电抗	电压	容量	相数	壳体	物料编码	物料描述	额定电流	额定电容
不带电抗	0.23	10	3	D210	BSMJS00230001003D	BSMJS-0-0.23-10-3-D	25.1	601.72
		15	3	D290	BSMJS00230001503D	BSMJS-0-0.23-15-3-D	37.7	902.58
		20	3	M265	BSMJS00230002003M	BSMJS-0-0.23-20-3-M	50.2	1203.44
		30	3	Q210	BSMJS00230003003Q	BSMJS-0-0.23-30-3-Q	75.3	1805.16
	0.25	10	3	D210	BSMJS00250001003D	BSMJS-0-0.25-10-3-D	23.1	509.3
		20	3	M265	BSMJS00250002003M	BSMJS-0-0.25-20-3-M	46.2	1018.59
		25	3	Q210	BSMJS00250002503Q	BSMJS-0-0.25-25-3-Q	57.7	1273.24
	0.4	1	3	D130	BSMJS00400000103D	BSMJS-0-0.4-1-3-D	1.4	19.89
		2	3	D130	BSMJS00400000203D	BSMJS-0-0.4-2-3-D	2.9	39.79
		3	3	D130	BSMJS00400000303D	BSMJS-0-0.4-3-3-D	4.3	59.68
		4	3	D130	BSMJS00400000403D	BSMJS-0-0.4-4-3-D	5.8	79.58
		5	3	D130	BSMJS00400000503D	BSMJS-0-0.4-5-3-D	7.2	99.47
		7.5	3	D130	BSMJS00400000753D	BSMJS-0-0.4-7.5-3-D	10.8	149.21
		8	3	D130	BSMJS00400000803D	BSMJS-0-0.4-8-3-D	11.5	159.15
		10	3	D130	BSMJS00400001003D	BSMJS-0-0.4-10-3-D	14.4	198.94
		12	3	D185	BSMJS00400001203D	BSMJS-0-0.4-12-3-D	17.3	238.73
		14	3	D185	BSMJS00400001403D	BSMJS-0-0.4-14-3-D	20.2	278.52
		15	3	D185	BSMJS00400001503D	BSMJS-0-0.4-15-3-D	21.7	298.42
		16	3	D185	BSMJS00400001603D	BSMJS-0-0.4-16-3-D	23.1	318.31
		18	3	D210	BSMJS00400001803D	BSMJS-0-0.4-18-3-D	26	358.1
		20	3	D210	BSMJS00400002003D	BSMJS-0-0.4-20-3-D	28.9	397.89
		24	3	D245	BSMJS00400002403D	BSMJS-0-0.4-24-3-D	34.6	477.46
		25	3	D245	BSMJS00400002503D	BSMJS-0-0.4-25-3-D	36.1	497.36
	28	3	D290	BSMJS00400002803D	BSMJS-0-0.4-28-3-D	40.4	557.04	
30	3	D290	BSMJS00400003003D	BSMJS-0-0.4-30-3-D	43.3	596.83		
		M210	BSMJS00400003003M	BSMJS-0-0.4-30-3-M	43.3	596.83		
35	3	M265	BSMJS00400003503M	BSMJS-0-0.4-35-3-M	50.5	696.3		
40	3	M265	BSMJS00400004003M	BSMJS-0-0.4-40-3-M	57.7	795.77		
45	3	Q210	BSMJS00400004503Q	BSMJS-0-0.4-45-3-Q	65	895.25		
50	3	Q210	BSMJS00400005003Q	BSMJS-0-0.4-50-3-Q	72.2	994.72		
60	3	Q240	BSMJS00400006003Q	BSMJS-0-0.4-60-3-Q	86.6	1193.66		

D1 电容器

BSMJS 自愈式低压并联电容器

三相补偿

电抗	电压	容量	相数	壳体	物料编码	物料描述	额定电流	额定电容
0.415		3	3	D130	BSMJS00415000303D	BSMJS-0-0.415-3-3-D	4.2	55.45
		5	3	D130	BSMJS00415000503D	BSMJS-0-0.415-5-3-D	7	92.41
		8	3	D130	BSMJS00415000803D	BSMJS-0-0.415-8-3-D	11.1	147.86
		10	3	D130	BSMJS00415001003D	BSMJS-0-0.415-10-3-D	13.9	184.82
		12	3	D185	BSMJS00415001203D	BSMJS-0-0.415-12-3-D	16.7	221.79
		14	3	D185	BSMJS00415001403D	BSMJS-0-0.415-14-3-D	19.5	258.75
		15	3	D185	BSMJS00415001503D	BSMJS-0-0.415-15-3-D	20.9	277.23
		16	3	D185	BSMJS00415001603D	BSMJS-0-0.415-16-3-D	22.3	295.72
		20	3	D210	BSMJS00415002003D	BSMJS-0-0.415-20-3-D	27.8	369.64
		25	3	D245	BSMJS00415002503D	BSMJS-0-0.415-25-3-D	34.8	462.06
		30	3	D290	BSMJS00415003003D	BSMJS-0-0.415-30-3-D	41.7	554.47
		35	3	M265	BSMJS00415003503M	BSMJS-0-0.415-35-3-M	48.7	646.88
		40	3	M265	BSMJS00415004003M	BSMJS-0-0.415-40-3-M	55.6	739.29
		50	3	Q210	BSMJS00415005003Q	BSMJS-0-0.415-50-3-Q	69.6	924.11
0.44		15	3	D185	BSMJS00440001503D	BSMJS-0-0.44-15-3-D	19.7	246.62
		20	3	D210	BSMJS00440002003D	BSMJS-0-0.44-20-3-D	26.2	328.83
0.45		1	3	D130	BSMJS00450000103D	BSMJS-0-0.45-1-3-D	1.3	15.72
		2	3	D130	BSMJS00450000203D	BSMJS-0-0.45-2-3-D	2.6	31.44
		3	3	D130	BSMJS00450000303D	BSMJS-0-0.45-3-3-D	3.8	47.16
		4	3	D130	BSMJS00450000403D	BSMJS-0-0.45-4-3-D	5.1	62.88
		5	3	D130	BSMJS00450000503D	BSMJS-0-0.45-5-3-D	6.4	78.6
		7.5	3	D130	BSMJS00450000753D	BSMJS-0-0.45-7.5-3-D	9.6	117.89
		8	3	D130	BSMJS00450000803D	BSMJS-0-0.45-8-3-D	10.3	125.75
		10	3	D130	BSMJS00450001003D	BSMJS-0-0.45-10-3-D	12.8	157.19
		12	3	D185	BSMJS00450001203D	BSMJS-0-0.45-12-3-D	15.4	188.63
		14	3	D185	BSMJS00450001403D	BSMJS-0-0.45-14-3-D	18	220.07
		15	3	D185	BSMJS00450001503D	BSMJS-0-0.45-15-3-D	19.2	235.79
		16	3	D185	BSMJS00450001603D	BSMJS-0-0.45-16-3-D	20.5	251.5
		18	3	D210	BSMJS00450001803D	BSMJS-0-0.45-18-3-D	23.1	282.94
		20	3	D210	BSMJS00450002003D	BSMJS-0-0.45-20-3-D	25.7	314.38
	22	3	D245	BSMJS00450002203D	BSMJS-0-0.45-22-3-D	28.2	345.82	
	24	3	D245	BSMJS00450002403D	BSMJS-0-0.45-24-3-D	30.8	377.26	

不带电抗

D1 电容器

BSMJS 自愈式低压并联电容器

三相补偿

电抗	电压	容量	相数	壳体	物料编码	物料描述	额定电流	额定电容		
0.45		25	3	D245	BSMJS00450002503D	BSMJS-0-0.45-25-3-D	32.1	392.98		
		28	3	D290	BSMJS00450002803D	BSMJS-0-0.45-28-3-D	35.9	440.13		
		30	3	D290	BSMJS00450003003D	BSMJS-0-0.45-30-3-D	38.5	471.57		
				M210	BSMJS00450003003M	BSMJS-0-0.45-30-3-M	38.5	471.57		
		32	3	D290	BSMJS00450003203D	BSMJS-0-0.45-32-3-D	41.1	503.01		
		35	3	M265	BSMJS00450003503M	BSMJS-0-0.45-35-3-M	44.9	550.17		
		40	3	M265	BSMJS00450004003M	BSMJS-0-0.45-40-3-M	51.3	628.76		
		45	3	Q210	BSMJS00450004503Q	BSMJS-0-0.45-45-3-Q	57.7	707.36		
		50	3	Q210	BSMJS00450005003Q	BSMJS-0-0.45-50-3-Q	64.2	785.95		
		60	3	Q240	BSMJS00450006003Q	BSMJS-0-0.45-60-3-Q	77	943.14		
		0.48		10	3	D210	BSMJS00480001003D	BSMJS-0-0.48-10-3-D	12	138.16
				15	3	D210	BSMJS00480001503D	BSMJS-0-0.48-15-3-D	18	207.23
				16	3	D290	BSMJS00480001603D	BSMJS-0-0.48-16-3-D	19.2	221.05
				20	3	D290	BSMJS00480002003D	BSMJS-0-0.48-20-3-D	24.1	276.31
				22	3	D290	BSMJS00480002203D	BSMJS-0-0.48-22-3-D	26.5	303.94
25	3			M265	BSMJS00480002503M	BSMJS-0-0.48-25-3-M	30.1	345.39		
30	3			M265	BSMJS00480003003M	BSMJS-0-0.48-30-3-M	36.1	414.47		
35	3			Q210	BSMJS00480003503Q	BSMJS-0-0.48-35-3-Q	42.1	483.54		
40	3			Q210	BSMJS00480004003Q	BSMJS-0-0.48-40-3-Q	48.1	552.62		
50	3			Q210	BSMJS00480005003Q	BSMJS-0-0.48-50-3-Q	60.1	690.78		
0.525		3	3	D130	BSMJS00525000303D	BSMJS-0-0.525-3-3-D	3.3	34.65		
		5	3	D130	BSMJS00525000503D	BSMJS-0-0.525-5-3-D	5.5	57.74		
		10	3	D210	BSMJS00525001003D	BSMJS-0-0.525-10-3-D	11	115.49		
		12	3	D210	BSMJS00525001203D	BSMJS-0-0.525-12-3-D	13.2	138.58		
		15	3	D210	BSMJS00525001503D	BSMJS-0-0.525-15-3-D	16.5	173.23		
		16	3	D210	BSMJS00525001603D	BSMJS-0-0.525-16-3-D	17.6	184.78		
		18	3	D210	BSMJS00525001803D	BSMJS-0-0.525-18-3-D	19.8	207.88		
		20	3	D290	BSMJS00525002003D	BSMJS-0-0.525-20-3-D	22	230.97		
		25	3	D290	BSMJS00525002503D	BSMJS-0-0.525-25-3-D	27.5	288.72		
		30	3	M265	BSMJS00525003003M	BSMJS-0-0.525-30-3-M	33	346.46		
		35	3	M265	BSMJS00525003503M	BSMJS-0-0.525-35-3-M	38.5	404.2		
		40	3	M265	BSMJS00525004003M	BSMJS-0-0.525-40-3-M	44	461.95		
				Q210	BSMJS00525004003Q	BSMJS-0-0.525-40-3-Q	44	461.95		

不带电抗

D1 电容器

BSMJS 自愈式低压并联电容器

三相补偿

电抗	电压	容量	相数	壳体	物料编码	物料描述	额定电流	额定电容
不带电抗	0.525	50	3	Q210	BSMJS00525005003Q	BSMJS-0-0.525-50-3-Q	55	577.43
		60	3	Q210	BSMJS00525006003Q	BSMJS-0-0.525-60-3-Q	66	692.92
	0.69	10	3	D130	BSMJS00690001003D	BSMJS-0-0.69-10-3-D	8.4	66.86
		12	3	D185	BSMJS00690001203D	BSMJS-0-0.69-12-3-D	10	80.23
		15	3	D185	BSMJS00690001503D	BSMJS-0-0.69-15-3-D	12.6	100.29
		18	3	D210	BSMJS00690001803D	BSMJS-0-0.69-18-3-D	15.1	120.34
		20	3	D210	BSMJS00690002003D	BSMJS-0-0.69-20-3-D	16.7	133.72
		25	3	D245	BSMJS00690002503D	BSMJS-0-0.69-25-3-D	20.9	167.14
		30	3	D290	BSMJS00690003003D	BSMJS-0-0.69-30-3-D	25.1	200.57
		40	3	M265	BSMJS00690004003M	BSMJS-0-0.69-40-3-M	33.5	267.43
	50	3	Q210	BSMJS00690005003Q	BSMJS-0-0.69-50-3-Q	41.8	334.29	
	0.75	10	3	D130	BSMJS00750001003D	BSMJS-0-0.75-10-3-D	7.7	56.59
		16	3	D185	BSMJS00750001603D	BSMJS-0-0.75-16-3-D	12.3	90.54
		20	3	D210	BSMJS00750002003D	BSMJS-0-0.75-20-3-D	15.4	113.18
		40	3	M265	BSMJS00750004003M	BSMJS-0-0.75-40-3-M	30.8	226.35
带电抗器	0.4	60	3	Q240	BSMJS00750006003Q	BSMJS-0-0.75-60-3-Q	46.2	339.53
		10	3	D185	BSMJS20400001003D	BSMJS-2-0.4-10-3-D 带电抗器	14.4	198.94
		12	3	D245	BSMJS20400001203D	BSMJS-2-0.4-12-3-D 带电抗器	17.3	238.73
		15	3	D245	BSMJS20400001503D	BSMJS-2-0.4-15-3-D 带电抗器	21.7	298.42
		20	3	D245	BSMJS20400002003D	BSMJS-2-0.4-20-3-D 带电抗器	28.9	397.89
		25	3	D290	BSMJS20400002503D	BSMJS-2-0.4-25-3-D 带电抗器	36.1	497.36
	0.45	30	3	M265	BSMJS20400003003M	BSMJS-2-0.4-30-3-M 带电抗器	43.3	596.83
		8	3	D185	BSMJS20450000803D	BSMJS-2-0.45-8-3-D 带电抗器	10.3	125.75
		10	3	D185	BSMJS20450001003D	BSMJS-2-0.45-10-3-D 带电抗器	12.8	157.19
		15	3	D245	BSMJS20450001503D	BSMJS-2-0.45-15-3-D 带电抗器	19.2	235.79
		16	3	D245	BSMJS20450001603D	BSMJS-2-0.45-16-3-D 带电抗器	20.5	251.5
		18	3	D245	BSMJS20450001803D	BSMJS-2-0.45-18-3-D 带电抗器	23.1	282.94
		20	3	D245	BSMJS20450002003D	BSMJS-2-0.45-20-3-D 带电抗器	25.7	314.38
		25	3	D290	BSMJS20450002503D	BSMJS-2-0.45-25-3-D 带电抗器	32.1	392.98
		30	3	M265	BSMJS20450003003M	BSMJS-2-0.45-30-3-M 带电抗器	38.5	471.57
0.525	40	3	Q210	BSMJS20450004003Q	BSMJS-2-0.45-40-3-Q 带电抗器	51.3	628.76	
	20	3	M265	BSMJS20525002003M	BSMJS-2-0.525-20-3-M 带电抗器	22	230.97	

D1 电容器

BSMJS 自愈式低压并联电容器

分相补偿

电抗	电压	容量	相数	壳体	物料编码	物料描述	额定电流	额定电容
不带电抗	0.4	5	3YN	D130	BSMJS00230300504D	BSMJS-0-0.23 $\sqrt{3}$ -5-3YN-D	7.2	100.34
		8	3YN	D210	BSMJS00230300804D	BSMJS-0-0.23 $\sqrt{3}$ -8-3YN-D	11.6	160.54
		10	3YN	D210	BSMJS00230301004D	BSMJS-0-0.23 $\sqrt{3}$ -10-3YN-D	14.5	200.68
		12	3YN	D210	BSMJS00230301204D	BSMJS-0-0.23 $\sqrt{3}$ -12-3YN-D	17.4	240.81
		15	3YN	D290	BSMJS00230301504D	BSMJS-0-0.23 $\sqrt{3}$ -15-3YN-D	21.7	301.01
		16	3YN	D290	BSMJS00230301604D	BSMJS-0-0.23 $\sqrt{3}$ -16-3YN-D	23.2	321.08
		18	3YN	D290	BSMJS00230301804D	BSMJS-0-0.23 $\sqrt{3}$ -18-3YN-D	26.1	361.22
		20	3YN	M265	BSMJS00230302004M	BSMJS-0-0.23 $\sqrt{3}$ -20-3YN-M	29	401.35
		25	3YN	Q210	BSMJS00230302504Q	BSMJS-0-0.23 $\sqrt{3}$ -25-3YN-Q	36.2	501.69
	30	3YN	Q210	BSMJS00230303004Q	BSMJS-0-0.23 $\sqrt{3}$ -30-3YN-Q	43.5	602.03	
	0.415	15	3YN	D290	BSMJS00230301504D	BSMJS-0-0.23 $\sqrt{3}$ -15-3YN-D	21.7	301.01
		20	3YN	M265	BSMJS00230302004M	BSMJS-0-0.23 $\sqrt{3}$ -20-3YN-M	29	401.35
		25	3YN	Q210	BSMJS00230302504Q	BSMJS-0-0.23 $\sqrt{3}$ -25-3YN-Q	36.2	501.69
	0.45	3	3YN	D130	BSMJS00250300304D	BSMJS-0-0.25 $\sqrt{3}$ -3-3YN-D	4	50.96
		5	3YN	D130	BSMJS00250300504D	BSMJS-0-0.25 $\sqrt{3}$ -5-3YN-D	6.7	84.93

D1 电容器

BSMJS 自愈式低压并联电容器

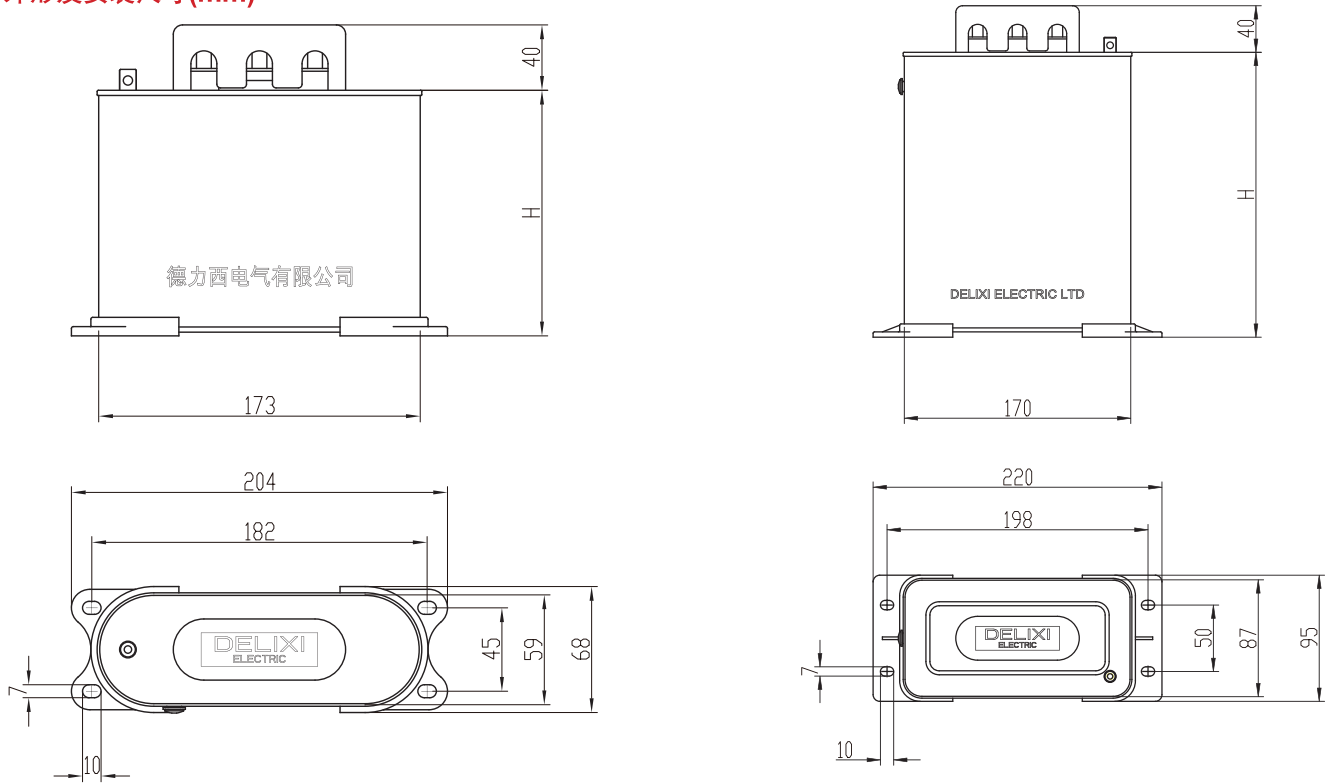
分相补偿

电抗	电压	容量	相数	壳体	物料编码	物料描述	额定电流	额定电容
不带电抗	0.45	7.5	3YN	D210	BSMJS00250300754D	BSMJS-0-0.25 $\sqrt{3}$ -7.5-3YN-D	10	127.39
		10	3YN	D210	BSMJS00250301004D	BSMJS-0-0.25 $\sqrt{3}$ -10-3YN-D	13.3	169.85
		12	3YN	D210	BSMJS00250301204D	BSMJS-0-0.25 $\sqrt{3}$ -12-3YN-D	16	203.82
		15	3YN	D290	BSMJS00250301504D	BSMJS-0-0.25 $\sqrt{3}$ -15-3YN-D	20	254.78
		16	3YN	D290	BSMJS00250301604D	BSMJS-0-0.25 $\sqrt{3}$ -16-3YN-D	21.3	271.76
		18	3YN	D290	BSMJS00250301804D	BSMJS-0-0.25 $\sqrt{3}$ -18-3YN-D	24	305.73
		20	3YN	M265	BSMJS00250302004M	BSMJS-0-0.25 $\sqrt{3}$ -20-3YN-M	26.7	339.7
		24	3YN	M265	BSMJS00250302404M	BSMJS-0-0.25 $\sqrt{3}$ -24-3YN-M	32	407.64
		25	3YN	Q210	BSMJS00250302504Q	BSMJS-0-0.25 $\sqrt{3}$ -25-3YN-Q	33.3	424.63
	0.48	30	3YN	Q210	BSMJS00250303004Q	BSMJS-0-0.25 $\sqrt{3}$ -30-3YN-Q	40	509.55
		40	3YN	Q240	BSMJS00250304004Q	BSMJS-0-0.25 $\sqrt{3}$ -40-3YN-Q	53.3	679.41
		45	3YN	Q240	BSMJS00250304504Q	BSMJS-0-0.25 $\sqrt{3}$ -45-3YN-Q	60	764.33
		20	3YN	M265	BSMJS00280302004M	BSMJS-0-0.28 $\sqrt{3}$ -20-3YN-M	23.8	270.81
		30	3YN	Q210	BSMJS00280303004Q	BSMJS-0-0.28 $\sqrt{3}$ -30-3YN-Q	35.7	406.21
		0.69	14	3YN	D185	BSMJS00400301404D	BSMJS-0-0.4 $\sqrt{3}$ -14-3YN-D	11.7

D1 电容器

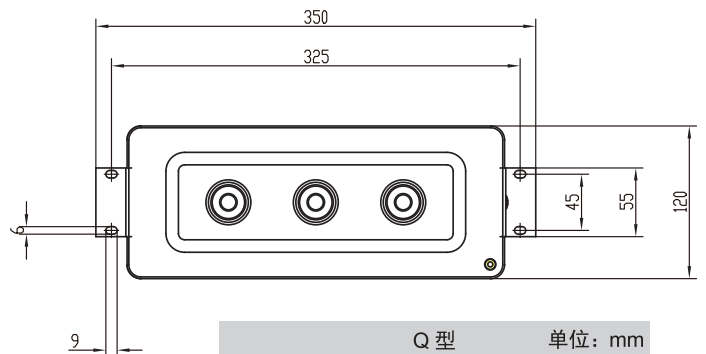
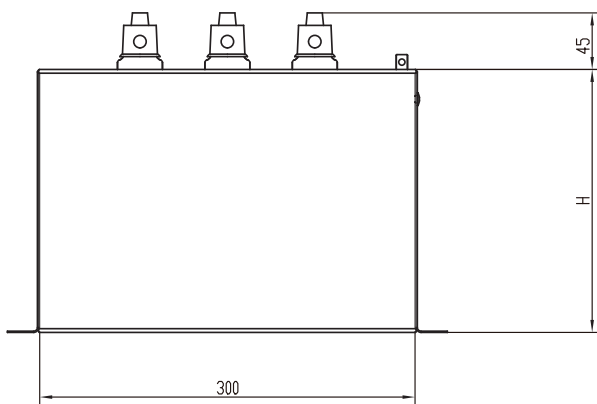
BSMJ5 自愈式低压并联电容器

外形及安装尺寸(mm)



D 型					单位: mm
壳体代号	D130	D185	D210	D245	D290
电容本体长 × 宽	173×59				
电容本体高 (H)	130	185	210	245	290
最大高度	170	225	250	285	330
安装孔尺寸	见附图				

M 型			单位: mm
壳体代号	M210	M265	
电容本体长 × 宽	170×87		
电容本体高 (H)	210	265	
最大高度	250	305	
安装孔尺寸	见附图		



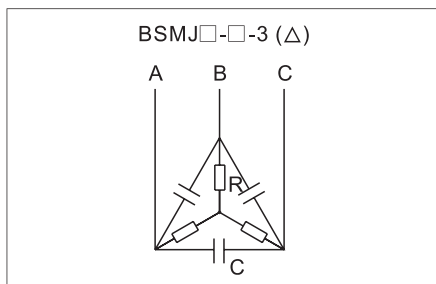
Q 型			单位: mm
壳体代号	Q210	Q240	
电容本体长 × 宽	300×120		
电容本体高 (H)	210	240	
最大高度	255	285	
安装孔尺寸	见附图		

D1 电容器

BSMJJS 自愈式低压并联电容器

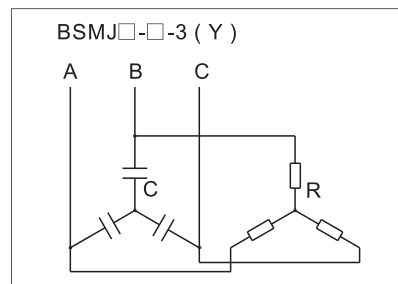
接线图

■ 三相额定电压为0.525、0.45、0.4kV的(Δ)接法



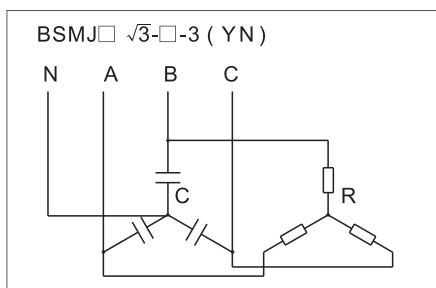
注：该接线图一般用于电流较平衡的电网中

■ 三相额定电压为0.69kV以上(Y)的接法



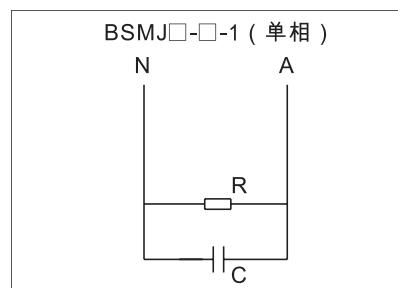
注：该接线图主要用于降低场强

■ 三相四线为(YN)的接法



注：该接线图主要用于用电不平衡电网

■ 单相接法



注：该接线图主要用于单相用电或者三相用电不平稳的系统