

# Industrial Inductive Load Driver

## NUD3160, SZNUD3160

This micro-integrated part provides a single component solution to switch inductive loads such as relays, solenoids, and small DC motors without the need of a free-wheeling diode. It accepts logic level inputs, thus allowing it to be driven by a large variety of devices including logic gates, inverters, and microcontrollers.

### Features

- Provides Robust Interface between D.C. Relay Coils and Sensitive Logic
- Capable of Driving Relay Coils Rated up to 150 mA at 12 V, 24 V or 48 V
- Replaces 3 or 4 Discrete Components for Lower Cost
- Internal Zener Eliminates Need for Free-Wheeling Diode
- Meets Load Dump and other Automotive Specs
- SZ Prefix for Automotive and Other Applications Requiring Unique Site and Control Change Requirements; AEC-Q101 Qualified and PPAP Capable
- These Devices are Pb-Free, Halogen Free/BFR Free and are RoHS Compliant

### Typical Applications

- Automotive and Industrial Environment
- Drives Window, Latch, Door, and Antenna Relays

### Benefits

- Reduced PCB Space
- Standardized Driver for Wide Range of Relays
- Simplifies Circuit Design and PCB Layout
- Compliance with Automotive Specifications

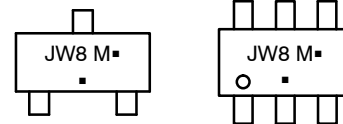


SOT-23  
CASE 318  
STYLE 21



SC-74  
CASE 318F  
STYLE 7

### MARKING DIAGRAMS



JW8 = Specific Device Code  
M = Date Code  
▪ = Pb-Free Package  
(Note: Microdot may be in either location)

JW8 = Specific Device Code  
M = Date Code  
▪ = Pb-Free Package  
(Note: Microdot may be in either location)

### ORDERING INFORMATION

| Device         | Package          | Shipping†          |
|----------------|------------------|--------------------|
| NUD3160LT1G    | SOT-23 (Pb-Free) | 3000 / Tape & Reel |
| SZNUD3160LT1G  | SOT-23 (Pb-Free) | 3000 / Tape & Reel |
| NUD3160DMT1G   | SC-74 (Pb-Free)  | 3000 / Tape & Reel |
| SZNUD3160DMT1G | SC-74 (Pb-Free)  | 3000 / Tape & Reel |

†For information on tape and reel specifications, including part orientation and tape sizes, please refer to our Tape and Reel Packaging Specifications Brochure, [BRD8011/D](#).

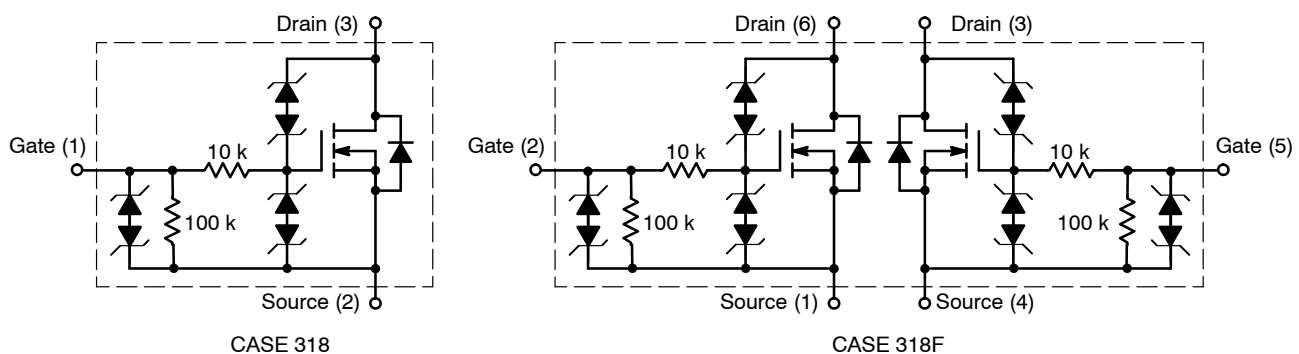


Figure 1. Internal Circuit Diagrams

# NUD3160, SZNUD3160

## MAXIMUM RATINGS (T<sub>J</sub> = 25°C unless otherwise specified)

| Symbol           | Rating                                                                                                                                                                                                                                                                                                                        | Value                                            | Unit |
|------------------|-------------------------------------------------------------------------------------------------------------------------------------------------------------------------------------------------------------------------------------------------------------------------------------------------------------------------------|--------------------------------------------------|------|
| V <sub>DSS</sub> | Drain-to-Source Voltage – Continuous (T <sub>J</sub> = 125°C)                                                                                                                                                                                                                                                                 | 60                                               | V    |
| V <sub>GSS</sub> | Gate-to-Source Voltage – Continuous (T <sub>J</sub> = 125°C)                                                                                                                                                                                                                                                                  | 12                                               | V    |
| I <sub>D</sub>   | Drain Current – Continuous (T <sub>J</sub> = 125°C)<br>Minimum copper, double sided board, T <sub>A</sub> = 80°C<br>SOT-23<br>SC74 Single device driven<br>SC74 Both devices driven<br>1 in <sup>2</sup> copper, double sided board, T <sub>A</sub> = 25°C<br>SOT-23<br>SC74 Single device driven<br>SC74 Both devices driven | 158<br>157<br>132 ea<br><br>272<br>263<br>230 ea | mA   |
| E <sub>Z</sub>   | Single Pulse Drain-to-Source Avalanche Energy<br>(For Relay's Coils/Inductive Loads of 80 Ω or Higher) (T <sub>J</sub> Initial = 85°C)                                                                                                                                                                                        | 200                                              | mJ   |
| P <sub>PK</sub>  | Peak Power Dissipation, Drain-to-Source (Notes 1 and 2)<br>(T <sub>J</sub> Initial = 85°C)                                                                                                                                                                                                                                    | 20                                               | W    |
| E <sub>LD1</sub> | Load Dump Pulse, Drain-to-Source (Note 3)<br>R <sub>SOURCE</sub> = 0.5 Ω, T = 300 ms<br>(For Relay's Coils/Inductive Loads of 80 Ω or Higher) (T <sub>J</sub> Initial = 85°C)                                                                                                                                                 | 60                                               | V    |
| E <sub>LD2</sub> | Inductive Switching Transient 1, Drain-to-Source<br>(Waveform: R <sub>SOURCE</sub> = 10 Ω, T = 2.0 ms)<br>(For Relay's Coils/Inductive Loads of 80 Ω or Higher) (T <sub>J</sub> Initial = 85°C)                                                                                                                               | 100                                              | V    |
| E <sub>LD3</sub> | Inductive Switching Transient 2, Drain-to-Source<br>(Waveform: R <sub>SOURCE</sub> = 4.0 Ω, T = 50 μs)<br>(For Relay's Coils/Inductive Loads of 80 Ω or Higher) (T <sub>J</sub> Initial = 85°C)                                                                                                                               | 300                                              | V    |
| Rev-Bat          | Reverse Battery, 10 Minutes (Drain-to-Source)<br>(For Relay's Coils/Inductive Loads of 80 Ω or more)                                                                                                                                                                                                                          | -14                                              | V    |
| Dual-Volt        | Dual Voltage Jump Start, 10 Minutes (Drain-to-Source)                                                                                                                                                                                                                                                                         | 28                                               | V    |
| ESD              | Human Body Model (HBM)<br>According to EIA/JESD22/A114 Specification                                                                                                                                                                                                                                                          | 2000                                             | V    |

Stresses exceeding those listed in the Maximum Ratings table may damage the device. If any of these limits are exceeded, device functionality should not be assumed, damage may occur and reliability may be affected.

## THERMAL CHARACTERISTICS

| Symbol           | Rating                                                                                      | Value                                                                                                                                                    | Unit                                       |      |
|------------------|---------------------------------------------------------------------------------------------|----------------------------------------------------------------------------------------------------------------------------------------------------------|--------------------------------------------|------|
| T <sub>A</sub>   | Operating Ambient Temperature                                                               | -40 to 125                                                                                                                                               | °C                                         |      |
| T <sub>J</sub>   | Maximum Junction Temperature                                                                | 150                                                                                                                                                      | °C                                         |      |
| T <sub>STG</sub> | Storage Temperature Range                                                                   | -65 to 150                                                                                                                                               | °C                                         |      |
| P <sub>D</sub>   | Total Power Dissipation (Note 4)<br>Derating above 25°C                                     | SOT-23<br>225<br>1.8                                                                                                                                     | mW<br>mW/°C                                |      |
| P <sub>D</sub>   | Total Power Dissipation (Note 4)<br>Derating above 25°C                                     | SC-74<br>380<br>3.0                                                                                                                                      | mW<br>mW/°C                                |      |
| R <sub>θJA</sub> | Thermal Resistance, Junction-to-Ambient<br>Minimum Copper<br><br>300 mm <sup>2</sup> Copper | SOT-23<br>SC-74 One Device Powered<br>SC-74 Both Devices Equally Powered<br><br>SOT-23<br>SC-74 One Device Powered<br>SC-74 Both Devices Equally Powered | 556<br>556<br>398<br><br>395<br>420<br>270 | °C/W |

1. Nonrepetitive current square pulse 1.0 ms duration.
2. For different square pulse durations, see Figure 12.
3. Nonrepetitive load dump pulse per Figure 3.
4. Mounted onto minimum pad board.

# NUD3160, SZNUD3160

## ELECTRICAL CHARACTERISTICS (T<sub>J</sub> = 25°C unless otherwise specified)

| Characteristic                                                                                                                                                                                                                                                                                                                                                                                                       | Symbol                                                                           | Min                  | Typ                           | Max                      | Unit |
|----------------------------------------------------------------------------------------------------------------------------------------------------------------------------------------------------------------------------------------------------------------------------------------------------------------------------------------------------------------------------------------------------------------------|----------------------------------------------------------------------------------|----------------------|-------------------------------|--------------------------|------|
| <b>OFF CHARACTERISTICS</b>                                                                                                                                                                                                                                                                                                                                                                                           |                                                                                  |                      |                               |                          |      |
| Drain to Source Sustaining Voltage<br>(I <sub>D</sub> = 10 mA)                                                                                                                                                                                                                                                                                                                                                       | V <sub>BRDSS</sub>                                                               | 61                   | 66                            | 70                       | V    |
| Drain to Source Leakage Current<br>(V <sub>DS</sub> = 12 V, V <sub>GS</sub> = 0 V)<br>(V <sub>DS</sub> = 12 V, V <sub>GS</sub> = 0 V, T <sub>J</sub> = 125°C)<br>(V <sub>DS</sub> = 60 V, V <sub>GS</sub> = 0 V)<br>(V <sub>DS</sub> = 60 V, V <sub>GS</sub> = 0 V, T <sub>J</sub> = 125°C)                                                                                                                          | I <sub>DSS</sub>                                                                 | –                    | –                             | 0.5<br>1.0<br>50<br>80   | μA   |
| Gate Body Leakage Current<br>(V <sub>GS</sub> = 3.0 V, V <sub>DS</sub> = 0 V)<br>(V <sub>GS</sub> = 3.0 V, V <sub>DS</sub> = 0 V, T <sub>J</sub> = 125°C)<br>(V <sub>GS</sub> = 5.0 V, V <sub>DS</sub> = 0 V)<br>(V <sub>GS</sub> = 5.0 V, V <sub>DS</sub> = 0 V, T <sub>J</sub> = 125°C)                                                                                                                            | I <sub>GSS</sub>                                                                 | –                    | –                             | 60<br>80<br>90<br>110    | μA   |
| <b>ON CHARACTERISTICS</b>                                                                                                                                                                                                                                                                                                                                                                                            |                                                                                  |                      |                               |                          |      |
| Gate Threshold Voltage<br>(V <sub>GS</sub> = V <sub>DS</sub> , I <sub>D</sub> = 1.0 mA)<br>(V <sub>GS</sub> = V <sub>DS</sub> , I <sub>D</sub> = 1.0 mA, T <sub>J</sub> = 125°C)                                                                                                                                                                                                                                     | V <sub>GS(th)</sub>                                                              | 1.3<br>1.3           | 1.8<br>–                      | 2.0<br>2.0               | V    |
| Drain to Source On-Resistance<br>(I <sub>D</sub> = 150 mA, V <sub>GS</sub> = 3.0 V)<br>(I <sub>D</sub> = 150 mA, V <sub>GS</sub> = 3.0 V, T <sub>J</sub> = 125°C)<br>(I <sub>D</sub> = 150 mA, V <sub>GS</sub> = 5.0 V)<br>(I <sub>D</sub> = 150 mA, V <sub>GS</sub> = 5.0 V, T <sub>J</sub> = 125°C)                                                                                                                | R <sub>DS(on)</sub>                                                              | –                    | –                             | 2.4<br>3.7<br>1.8<br>2.9 | Ω    |
| Output Continuous Current<br>(V <sub>DS</sub> = 0.3 V, V <sub>GS</sub> = 5.0 V)<br>(V <sub>DS</sub> = 0.3 V, V <sub>GS</sub> = 5.0 V, T <sub>J</sub> = 125°C)                                                                                                                                                                                                                                                        | I <sub>DS(on)</sub>                                                              | 150<br>100           | 200<br>–                      | –<br>–                   | mA   |
| Forward Transconductance<br>(V <sub>DS</sub> = 12 V, I <sub>D</sub> = 150 mA)                                                                                                                                                                                                                                                                                                                                        | g <sub>FS</sub>                                                                  | –                    | 400                           | –                        | mmho |
| <b>DYNAMIC CHARACTERISTICS</b>                                                                                                                                                                                                                                                                                                                                                                                       |                                                                                  |                      |                               |                          |      |
| Input Capacitance<br>(V <sub>DS</sub> = 12 V, V <sub>GS</sub> = 0 V, f = 10 kHz)                                                                                                                                                                                                                                                                                                                                     | C <sub>iss</sub>                                                                 | –                    | 30                            | –                        | pf   |
| Output Capacitance<br>(V <sub>DS</sub> = 12 V, V <sub>GS</sub> = 0 V, f = 10 kHz)                                                                                                                                                                                                                                                                                                                                    | C <sub>oss</sub>                                                                 | –                    | 14                            | –                        | pf   |
| Transfer Capacitance<br>(V <sub>DS</sub> = 12 V, V <sub>GS</sub> = 0 V, f = 10 kHz)                                                                                                                                                                                                                                                                                                                                  | C <sub>rss</sub>                                                                 | –                    | 6.0                           | –                        | pf   |
| <b>SWITCHING CHARACTERISTICS</b>                                                                                                                                                                                                                                                                                                                                                                                     |                                                                                  |                      |                               |                          |      |
| Propagation Delay Times:<br>High to Low Propagation Delay; Figure 2, (V <sub>DS</sub> = 12 V, V <sub>GS</sub> = 3.0 V)<br>Low to High Propagation Delay; Figure 2, (V <sub>DS</sub> = 12 V, V <sub>GS</sub> = 3.0 V)<br><br>High to Low Propagation Delay; Figure 2, (V <sub>DS</sub> = 12 V, V <sub>GS</sub> = 5.0 V)<br>Low to High Propagation Delay; Figure 2, (V <sub>DS</sub> = 12 V, V <sub>GS</sub> = 5.0 V) | t <sub>PHL</sub><br>t <sub>PLH</sub><br><br>t <sub>PHL</sub><br>t <sub>PLH</sub> | –<br>–<br><br>–<br>– | 918<br>798<br><br>331<br>1160 | –<br>–<br><br>–<br>–     | ns   |
| Transition Times:<br>Fall Time; Figure 2, (V <sub>DS</sub> = 12 V, V <sub>GS</sub> = 3.0 V)<br>Rise Time; Figure 2, (V <sub>DS</sub> = 12 V, V <sub>GS</sub> = 3.0 V)<br><br>Fall Time; Figure 2, (V <sub>DS</sub> = 12 V, V <sub>GS</sub> = 5.0 V)<br>Rise Time; Figure 2, (V <sub>DS</sub> = 12 V, V <sub>GS</sub> = 5.0 V)                                                                                        | t <sub>f</sub><br>t <sub>r</sub><br><br>t <sub>f</sub><br>t <sub>r</sub>         | –<br>–<br><br>–<br>– | 2290<br>618<br><br>622<br>600 | –<br>–<br><br>–<br>–     | ns   |

Product parametric performance is indicated in the Electrical Characteristics for the listed test conditions, unless otherwise noted. Product performance may not be indicated by the Electrical Characteristics if operated under different conditions.

# NUD3160, SZNUD3160

## TYPICAL WAVEFORMS

( $T_J = 25^\circ\text{C}$  unless otherwise specified)

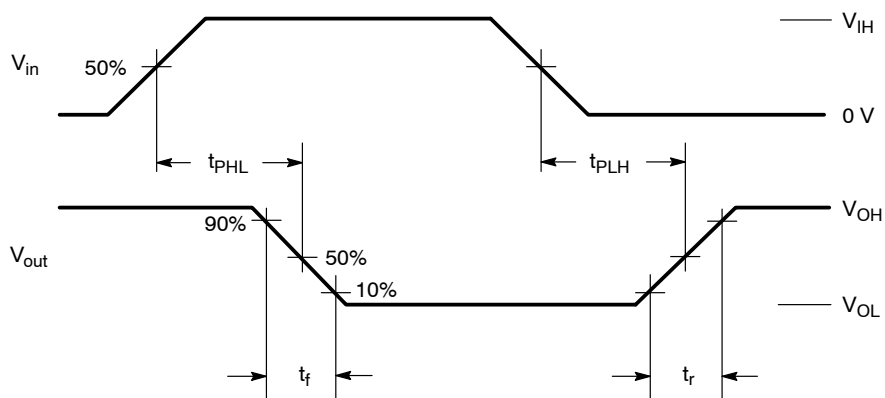


Figure 2. Switching Waveforms

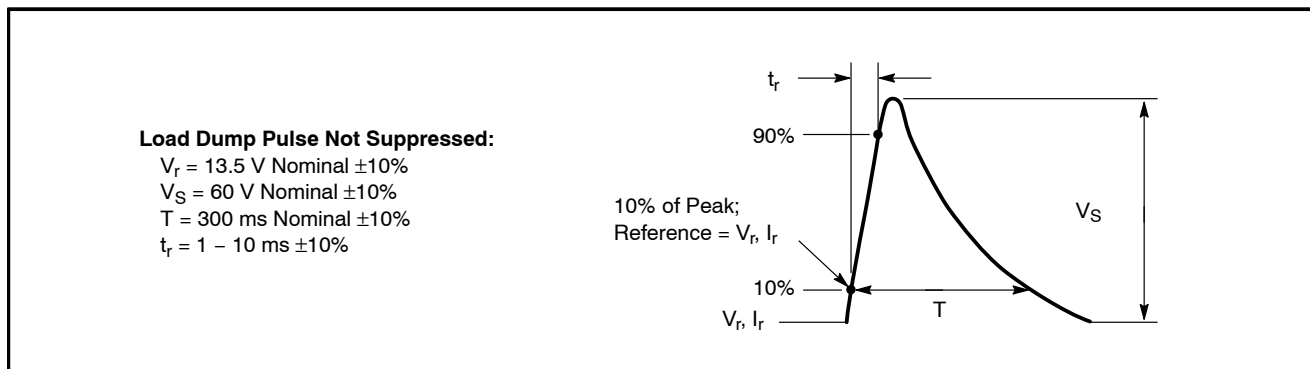
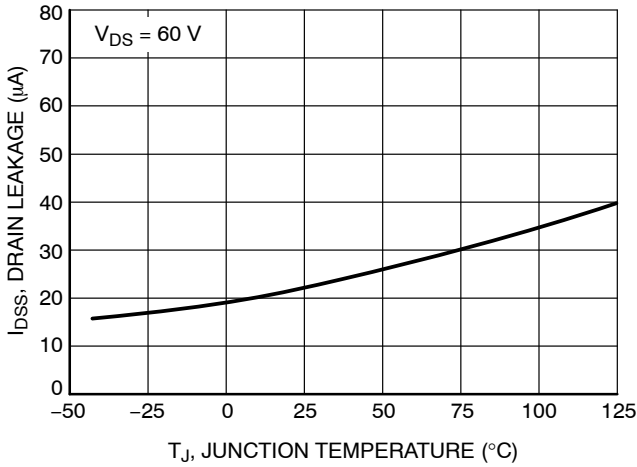


Figure 3. Load Dump Waveform Definition

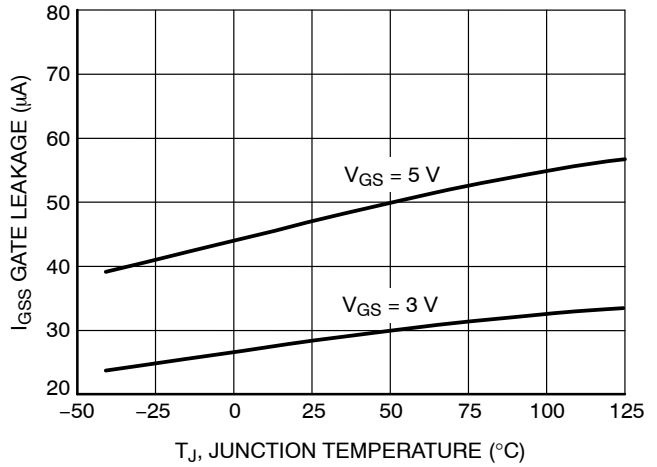
# NUD3160, SZNUD3160

## TYPICAL PERFORMANCE CURVES

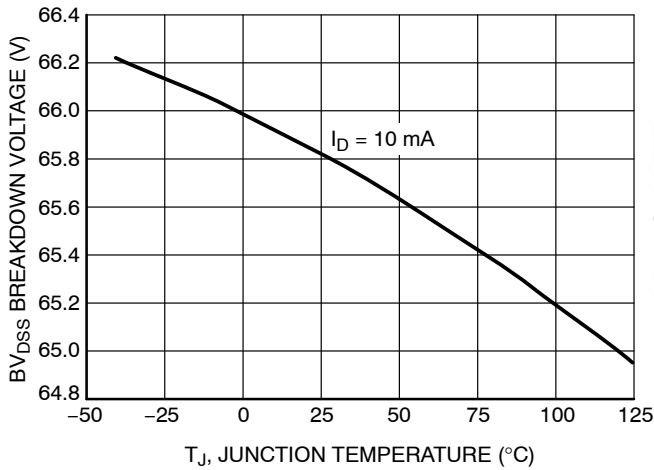
( $T_J = 25^\circ\text{C}$  unless otherwise specified)



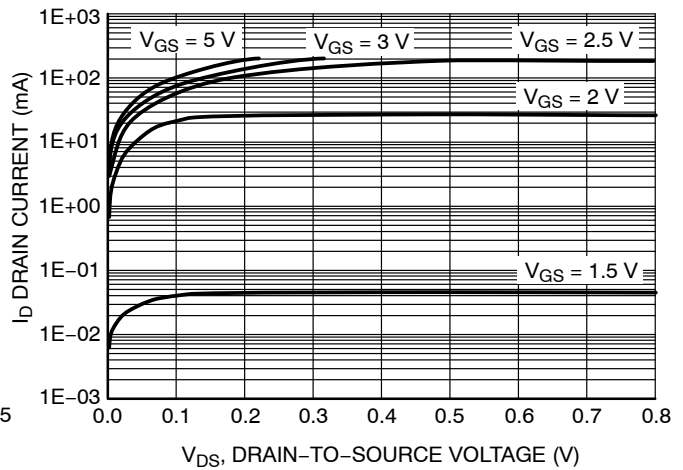
**Figure 4. Drain-to-Source Leakage vs. Junction Temperature**



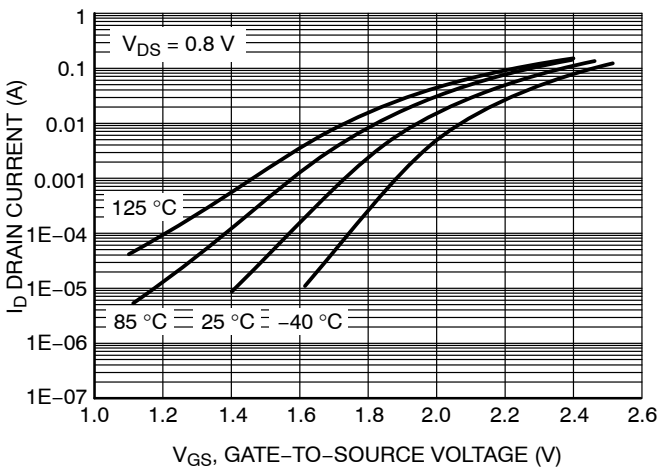
**Figure 5. Gate-to-Source Leakage vs. Junction Temperature**



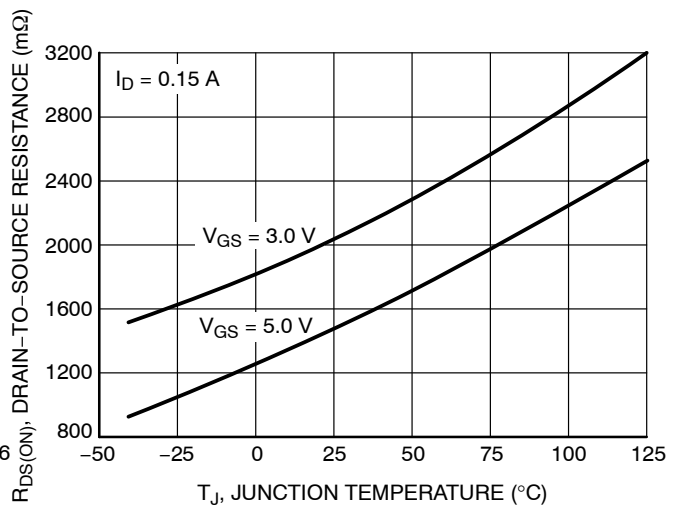
**Figure 6. Breakdown Voltage vs. Junction Temperature**



**Figure 7. Output Characteristics**



**Figure 8. Transfer Function**

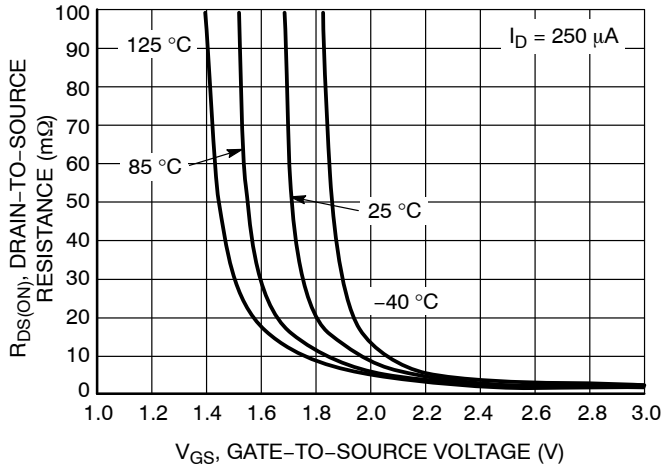


**Figure 9. On Resistance Variation vs. Junction Temperature**

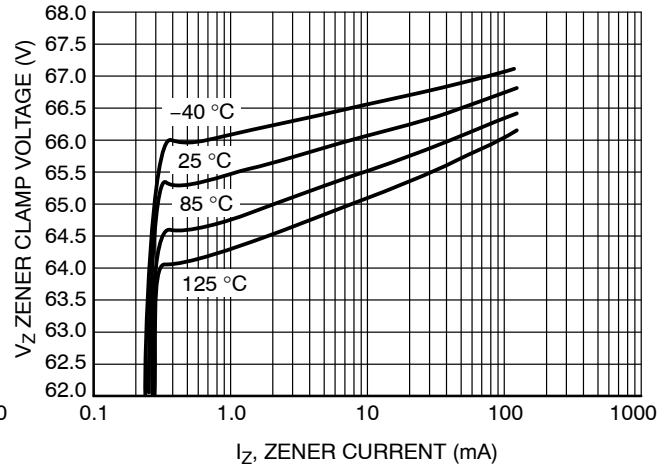
# NUD3160, SZNUD3160

## TYPICAL PERFORMANCE CURVES

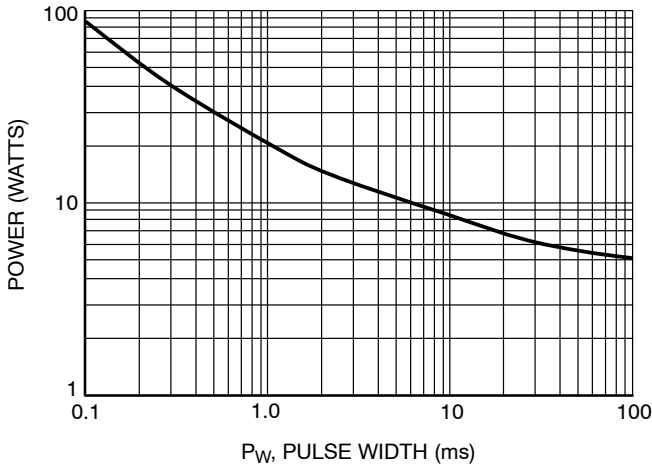
( $T_J = 25^\circ\text{C}$  unless otherwise specified)



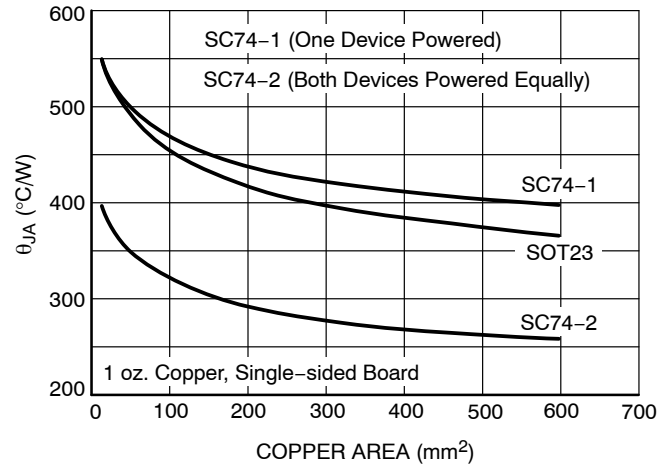
**Figure 10. On Resistance Variation vs. Gate-to-Source Voltage**



**Figure 11. Zener Clamp Voltage vs. Zener Current**



**Figure 12. Maximum Non-repetitive Surge Power vs. Pulse Width**



**Figure 13. Thermal Performance vs. Board Copper Area**

# NUD3160, SZNUD3160

## APPLICATIONS INFORMATION

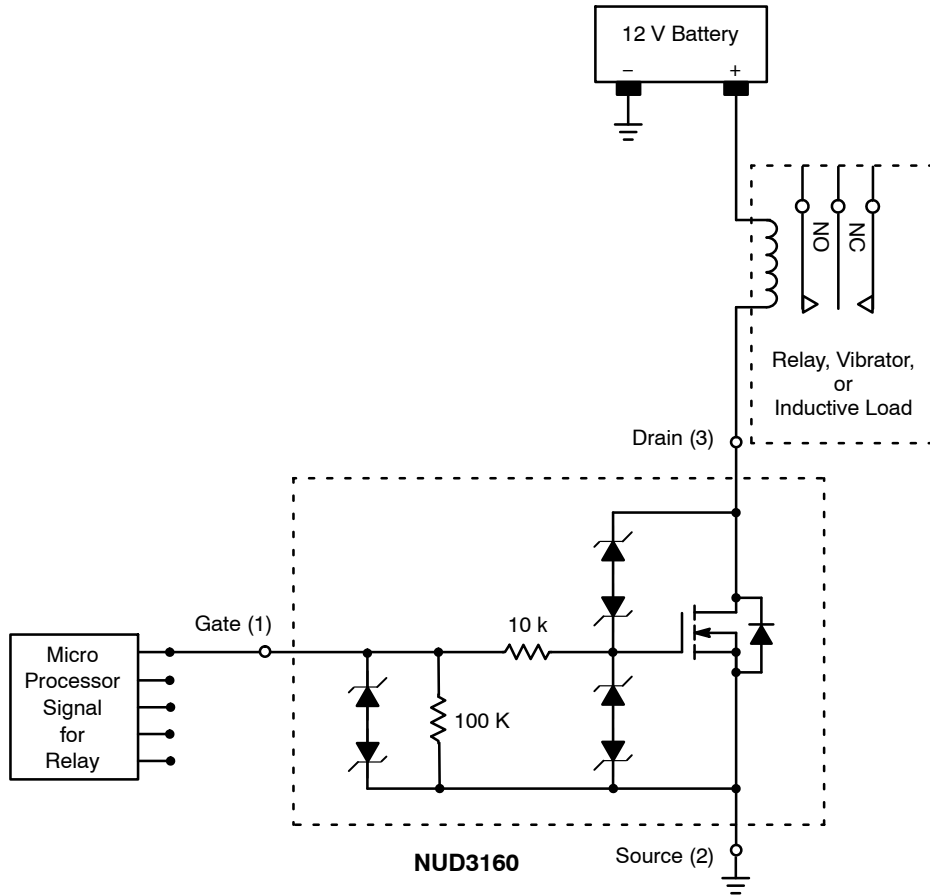
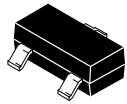


Figure 14. Applications Diagram

# MECHANICAL CASE OUTLINE

## PACKAGE DIMENSIONS

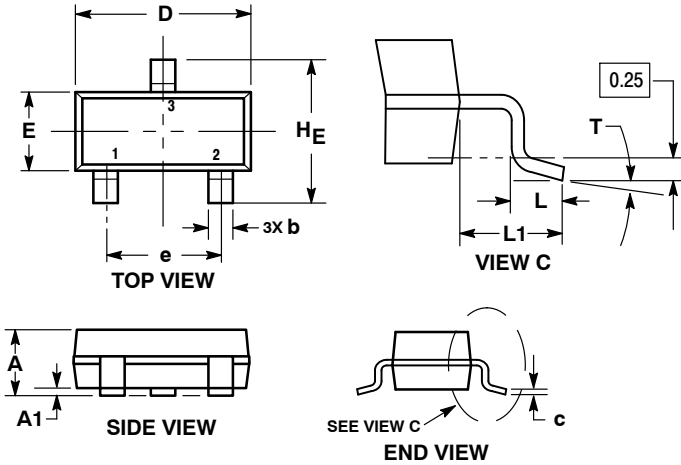
ON Semiconductor®



### SOT-23 (TO-236) CASE 318-08 ISSUE AS

DATE 30 JAN 2018

SCALE 4:1

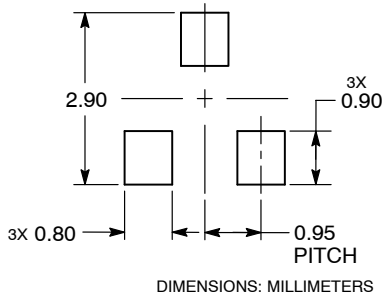


NOTES:

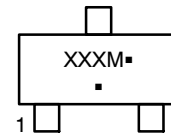
1. DIMENSIONING AND TOLERANCING PER ASME Y14.5M, 1994.
2. CONTROLLING DIMENSION: MILLIMETERS.
3. MAXIMUM LEAD THICKNESS INCLUDES LEAD FINISH. MINIMUM LEAD THICKNESS IS THE MINIMUM THICKNESS OF THE BASE MATERIAL.
4. DIMENSIONS D AND E DO NOT INCLUDE MOLD FLASH, PROTRUSIONS, OR GATE BURRS.

| DIM | MILLIMETERS |      |      | INCHES |       |       |
|-----|-------------|------|------|--------|-------|-------|
|     | MIN         | NOM  | MAX  | MIN    | NOM   | MAX   |
| A   | 0.89        | 1.00 | 1.11 | 0.035  | 0.039 | 0.044 |
| A1  | 0.01        | 0.06 | 0.10 | 0.000  | 0.002 | 0.004 |
| b   | 0.37        | 0.44 | 0.50 | 0.015  | 0.017 | 0.020 |
| c   | 0.08        | 0.14 | 0.20 | 0.003  | 0.006 | 0.008 |
| D   | 2.80        | 2.90 | 3.04 | 0.110  | 0.114 | 0.120 |
| E   | 1.20        | 1.30 | 1.40 | 0.047  | 0.051 | 0.055 |
| e   | 1.78        | 1.90 | 2.04 | 0.070  | 0.075 | 0.080 |
| L   | 0.30        | 0.43 | 0.55 | 0.012  | 0.017 | 0.022 |
| L1  | 0.35        | 0.54 | 0.69 | 0.014  | 0.021 | 0.027 |
| HE  | 2.10        | 2.40 | 2.64 | 0.083  | 0.094 | 0.104 |
| T   | 0°          | ---  | 10°  | 0°     | ---   | 10°   |

### RECOMMENDED SOLDERING FOOTPRINT



### GENERIC MARKING DIAGRAM\*



XXX = Specific Device Code  
M = Date Code  
▪ = Pb-Free Package

\*This information is generic. Please refer to device data sheet for actual part marking. Pb-Free indicator, "G" or microdot "▪", may or may not be present.

STYLE 1 THRU 5:  
CANCELLED

STYLE 6:  
PIN 1. BASE  
2. EMITTER  
3. COLLECTOR

STYLE 7:  
PIN 1. EMITTER  
2. BASE  
3. COLLECTOR

STYLE 8:  
PIN 1. ANODE  
2. NO CONNECTION  
3. CATHODE

STYLE 9:  
PIN 1. ANODE  
2. ANODE  
3. CATHODE

STYLE 10:  
PIN 1. DRAIN  
2. SOURCE  
3. GATE

STYLE 11:  
PIN 1. ANODE  
2. CATHODE  
3. CATHODE-ANODE

STYLE 12:  
PIN 1. CATHODE  
2. CATHODE  
3. ANODE

STYLE 13:  
PIN 1. SOURCE  
2. DRAIN  
3. GATE

STYLE 14:  
PIN 1. CATHODE  
2. GATE  
3. ANODE

STYLE 15:  
PIN 1. GATE  
2. CATHODE  
3. ANODE

STYLE 16:  
PIN 1. ANODE  
2. CATHODE  
3. CATHODE

STYLE 17:  
PIN 1. NO CONNECTION  
2. ANODE  
3. CATHODE

STYLE 18:  
PIN 1. NO CONNECTION  
2. CATHODE  
3. ANODE

STYLE 19:  
PIN 1. CATHODE  
2. ANODE  
3. CATHODE-ANODE

STYLE 20:  
PIN 1. CATHODE  
2. ANODE  
3. GATE

STYLE 21:  
PIN 1. GATE  
2. SOURCE  
3. DRAIN

STYLE 22:  
PIN 1. RETURN  
2. OUTPUT  
3. INPUT

STYLE 23:  
PIN 1. ANODE  
2. ANODE  
3. CATHODE

STYLE 24:  
PIN 1. GATE  
2. DRAIN  
3. SOURCE

STYLE 25:  
PIN 1. ANODE  
2. CATHODE  
3. GATE

STYLE 26:  
PIN 1. CATHODE  
2. ANODE  
3. NO CONNECTION

STYLE 27:  
PIN 1. CATHODE  
2. CATHODE  
3. CATHODE

STYLE 28:  
PIN 1. ANODE  
2. ANODE  
3. ANODE

|                         |                        |                                                                                                                                                                                  |
|-------------------------|------------------------|----------------------------------------------------------------------------------------------------------------------------------------------------------------------------------|
| <b>DOCUMENT NUMBER:</b> | <b>98ASB42226B</b>     | Electronic versions are uncontrolled except when accessed directly from the Document Repository. Printed versions are uncontrolled except when stamped "CONTROLLED COPY" in red. |
| <b>DESCRIPTION:</b>     | <b>SOT-23 (TO-236)</b> | <b>PAGE 1 OF 1</b>                                                                                                                                                               |

ON Semiconductor and ON are trademarks of Semiconductor Components Industries, LLC dba ON Semiconductor or its subsidiaries in the United States and/or other countries. ON Semiconductor reserves the right to make changes without further notice to any products herein. ON Semiconductor makes no warranty, representation or guarantee regarding the suitability of its products for any particular purpose, nor does ON Semiconductor assume any liability arising out of the application or use of any product or circuit, and specifically disclaims any and all liability, including without limitation special, consequential or incidental damages. ON Semiconductor does not convey any license under its patent rights nor the rights of others.



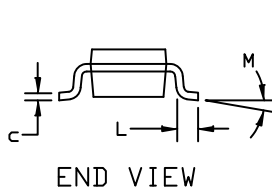
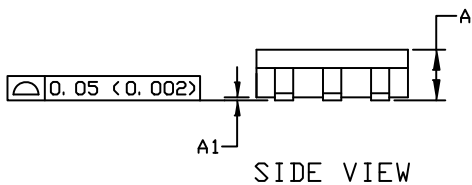
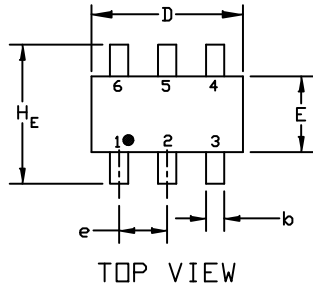
# MECHANICAL CASE OUTLINE PACKAGE DIMENSIONS



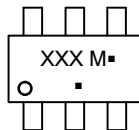
SCALE 2:1

**SC-74**  
CASE 318F  
ISSUE P

DATE 07 OCT 2021



### GENERIC MARKING DIAGRAM\*



XXX = Specific Device Code  
M = Date Code  
▪ = Pb-Free Package

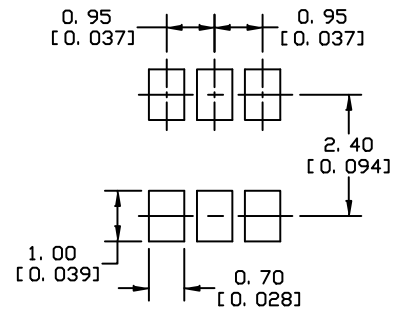
(Note: Microdot may be in either location)

\*This information is generic. Please refer to device data sheet for actual part marking. Pb-Free indicator, "G" or microdot "▪", may or may not be present. Some products may not follow the Generic Marking.

### NOTES:

1. DIMENSIONING AND TOLERANCING PER ASME Y14.5M, 1994
2. CONTROLLING DIMENSION: INCHES
3. MAXIMUM LEAD THICKNESS INCLUDES LEAD FINISH THICKNESS. MINIMUM LEAD THICKNESS IS THE MINIMUM THICKNESS OF THE BASE MATERIAL.

| DIM | MILLIMETERS |      |      | INCHES |       |       |
|-----|-------------|------|------|--------|-------|-------|
|     | MIN.        | NOM. | MAX. | MIN.   | NOM.  | MAX.  |
| A   | 0.90        | 1.00 | 1.10 | 0.035  | 0.039 | 0.043 |
| A1  | 0.01        | 0.06 | 0.10 | 0.001  | 0.002 | 0.004 |
| b   | 0.25        | 0.37 | 0.50 | 0.010  | 0.015 | 0.020 |
| c   | 0.10        | 0.18 | 0.26 | 0.004  | 0.007 | 0.010 |
| D   | 2.90        | 3.00 | 3.10 | 0.114  | 0.118 | 0.122 |
| E   | 1.30        | 1.50 | 1.70 | 0.051  | 0.059 | 0.067 |
| e   | 0.85        | 0.95 | 1.05 | 0.034  | 0.037 | 0.041 |
| HE  | 2.50        | 2.75 | 3.00 | 0.099  | 0.108 | 0.118 |
| L   | 0.20        | 0.40 | 0.60 | 0.008  | 0.016 | 0.024 |
| M   | 0*          | ---  | 10*  | 0*     | ---   | 10*   |



\* For additional information on our Pb-Free strategy and soldering details, please download the DN Semiconductor Soldering and Mounting Techniques Reference Manual, SOLDERM/D.

### SOLDERING FOOTPRINT

- |                                                                                                               |                                                                                                                            |                                                                                                                         |                                                                                                                                                      |                                                                                                                     |                                                                                                             |
|---------------------------------------------------------------------------------------------------------------|----------------------------------------------------------------------------------------------------------------------------|-------------------------------------------------------------------------------------------------------------------------|------------------------------------------------------------------------------------------------------------------------------------------------------|---------------------------------------------------------------------------------------------------------------------|-------------------------------------------------------------------------------------------------------------|
| <p>STYLE 1:<br/>PIN 1. CATHODE<br/>2. ANODE<br/>3. CATHODE<br/>4. CATHODE<br/>5. ANODE<br/>6. CATHODE</p>     | <p>STYLE 2:<br/>PIN 1. NO CONNECTION<br/>2. COLLECTOR<br/>3. EMITTER<br/>4. NO CONNECTION<br/>5. COLLECTOR<br/>6. BASE</p> | <p>STYLE 3:<br/>PIN 1. EMITTER 1<br/>2. BASE 1<br/>3. COLLECTOR 2<br/>4. EMITTER 2<br/>5. BASE 2<br/>6. COLLECTOR 1</p> | <p>STYLE 4:<br/>PIN 1. COLLECTOR 2<br/>2. EMITTER 1/EMITTER 2<br/>3. COLLECTOR 1<br/>4. EMITTER 3<br/>5. BASE 1/BASE 2/COLLECTOR 3<br/>6. BASE 3</p> | <p>STYLE 5:<br/>PIN 1. CHANNEL 1<br/>2. ANODE<br/>3. CHANNEL 2<br/>4. CHANNEL 3<br/>5. CATHODE<br/>6. CHANNEL 4</p> | <p>STYLE 6:<br/>PIN 1. CATHODE<br/>2. ANODE<br/>3. CATHODE<br/>4. CATHODE<br/>5. CATHODE<br/>6. CATHODE</p> |
| <p>STYLE 7:<br/>PIN 1. SOURCE 1<br/>2. GATE 1<br/>3. DRAIN 2<br/>4. SOURCE 2<br/>5. GATE 2<br/>6. DRAIN 1</p> | <p>STYLE 8:<br/>PIN 1. EMITTER 1<br/>2. BASE 2<br/>3. COLLECTOR 2<br/>4. EMITTER 2<br/>5. BASE 1<br/>6. COLLECTOR 1</p>    | <p>STYLE 9:<br/>PIN 1. EMITTER 2<br/>2. BASE 2<br/>3. COLLECTOR 1<br/>4. EMITTER 1<br/>5. BASE 1<br/>6. COLLECTOR 2</p> | <p>STYLE 10:<br/>PIN 1. ANODE/CATHODE<br/>2. BASE<br/>3. EMITTER<br/>4. COLLECTOR<br/>5. ANODE<br/>6. CATHODE</p>                                    | <p>STYLE 11:<br/>PIN 1. EMITTER<br/>2. BASE<br/>3. ANODE/CATHODE<br/>4. ANODE<br/>5. CATHODE<br/>6. COLLECTOR</p>   |                                                                                                             |

|                         |                    |                                                                                                                                                                                     |
|-------------------------|--------------------|-------------------------------------------------------------------------------------------------------------------------------------------------------------------------------------|
| <b>DOCUMENT NUMBER:</b> | <b>98ASB42973B</b> | Electronic versions are uncontrolled except when accessed directly from the Document Repository.<br>Printed versions are uncontrolled except when stamped "CONTROLLED COPY" in red. |
| <b>DESCRIPTION:</b>     | <b>SC-74</b>       | <b>PAGE 1 OF 1</b>                                                                                                                                                                  |

onsemi and ONSEMI are trademarks of Semiconductor Components Industries, LLC dba onsemi or its subsidiaries in the United States and/or other countries. onsemi reserves the right to make changes without further notice to any products herein. onsemi makes no warranty, representation or guarantee regarding the suitability of its products for any particular purpose, nor does onsemi assume any liability arising out of the application or use of any product or circuit, and specifically disclaims any and all liability, including without limitation special, consequential or incidental damages. onsemi does not convey any license under its patent rights nor the rights of others.

**onsemi**, **Onsemi**, and other names, marks, and brands are registered and/or common law trademarks of Semiconductor Components Industries, LLC dba "**onsemi**" or its affiliates and/or subsidiaries in the United States and/or other countries. **onsemi** owns the rights to a number of patents, trademarks, copyrights, trade secrets, and other intellectual property. A listing of **onsemi**'s product/patent coverage may be accessed at [www.onsemi.com/site/pdf/Patent-Marking.pdf](http://www.onsemi.com/site/pdf/Patent-Marking.pdf). **onsemi** reserves the right to make changes at any time to any products or information herein, without notice. The information herein is provided "as-is" and **onsemi** makes no warranty, representation or guarantee regarding the accuracy of the information, product features, availability, functionality, or suitability of its products for any particular purpose, nor does **onsemi** assume any liability arising out of the application or use of any product or circuit, and specifically disclaims any and all liability, including without limitation special, consequential or incidental damages. Buyer is responsible for its products and applications using **onsemi** products, including compliance with all laws, regulations and safety requirements or standards, regardless of any support or applications information provided by **onsemi**. "Typical" parameters which may be provided in **onsemi** data sheets and/or specifications can and do vary in different applications and actual performance may vary over time. All operating parameters, including "Typicals" must be validated for each customer application by customer's technical experts. **onsemi** does not convey any license under any of its intellectual property rights nor the rights of others. **onsemi** products are not designed, intended, or authorized for use as a critical component in life support systems or any FDA Class 3 medical devices or medical devices with a same or similar classification in a foreign jurisdiction or any devices intended for implantation in the human body. Should Buyer purchase or use **onsemi** products for any such unintended or unauthorized application, Buyer shall indemnify and hold **onsemi** and its officers, employees, subsidiaries, affiliates, and distributors harmless against all claims, costs, damages, and expenses, and reasonable attorney fees arising out of, directly or indirectly, any claim of personal injury or death associated with such unintended or unauthorized use, even if such claim alleges that **onsemi** was negligent regarding the design or manufacture of the part. **onsemi** is an Equal Opportunity/Affirmative Action Employer. This literature is subject to all applicable copyright laws and is not for resale in any manner.

## PUBLICATION ORDERING INFORMATION

### LITERATURE FULFILLMENT:

Email Requests to: [orderlit@onsemi.com](mailto:orderlit@onsemi.com)

**onsemi Website:** [www.onsemi.com](http://www.onsemi.com)

### TECHNICAL SUPPORT

**North American Technical Support:**

Voice Mail: 1 800-282-9855 Toll Free USA/Canada

Phone: 011 421 33 790 2910

**Europe, Middle East and Africa Technical Support:**

Phone: 00421 33 790 2910

For additional information, please contact your local Sales Representative