

NLAS1053

2:1 Mux/Demux Analog Switches

The NLAS1053 is an advanced CMOS analog switch fabricated with silicon gate CMOS technology. It achieves very high speed propagation delays and low ON resistances while maintaining CMOS low power dissipation. The device consists of a single 2:1 Mux/Demux (SPDT), similar to ON Semiconductor's NLAS4053 analog and digital voltages that may vary across the full power supply range (from V_{CC} to GND).

The inhibit and select input pins have over voltage protection that allows voltages above V_{CC} up to 7.0 V to be present without damage or disruption of operation of the part, regardless of the operating voltage.

Features

- High Speed: $t_{PD} = 1$ ns (Typ) at $V_{CC} = 5.0$ V
- Low Power Dissipation: $I_{CC} = 2$ μ A (Max) at $T_A = 25^\circ$ C
- High Bandwidth, Improved Linearity, and Low $R_{DS(ON)}$
- INH Pin Allows a Both Channels 'OFF' Condition (With a High)
- $R_{DS(ON)} \cong 25$ Ω , Performance Very Similar to the NLAS4053
- Break Before Make Circuitry, Prevents Inadvertent Shorts
- Useful For Switching Video Frequencies Beyond 50 MHz
- Latchup Performance Exceeds 300 mA
- ESD Performance: HBM > 2000 V; MM > 200 V, CDM > 1500 V
- Tiny US8 Package, Only 2.1 X 3.0 mm
- These Devices are Pb-Free, Halogen Free/BFR Free and are RoHS Compliant

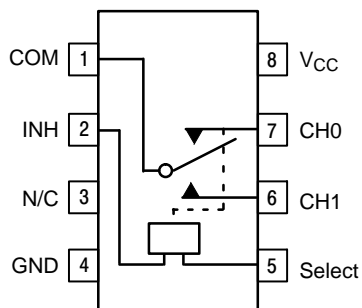
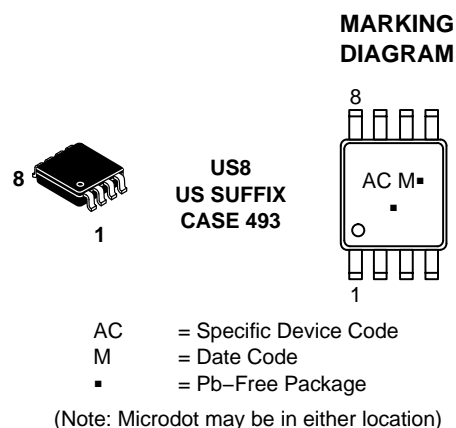


Figure 1. Pin Assignment



ON Semiconductor®

www.onsemi.com



FUNCTION TABLE

INH	Select	Ch 0	Ch 1
H	X	OFF	OFF
L	L	ON	OFF
L	H	OFF	ON

ORDERING INFORMATION

Device	Package	Shipping†
NLAS1053USG	US8 (Pb-Free)	3000 / Tape & Reel

†For information on tape and reel specifications, including part orientation and tape sizes, please refer to our Tape and Reel Packaging Specifications Brochure, BRD8011/D.

MAXIMUM RATINGS

Parameter	Symbol	Value	Unit
Positive DC Supply Voltage	V_{CC}	-0.5 to +7.0	V
Digital Input Voltage (Select and Inhibit)	V_{IN}	$-0.5 \leq V_{IS} \leq +7.0$	V
Analog Output Voltage (V_{CH} or V_{COM})	V_{IS}	$-0.5 \leq V_{IS} \leq V_{CC} + 0.5$	V
DC Current, Into or Out of Any Pin	I_{IK}	50	mA
Storage Temperature Range	T_{STG}	-65 to +150	°C
Lead Temperature, 1 mm from Case for 10 Seconds	T_L	260	°C
Junction Temperature under Bias	T_J	+150	°C
Thermal Resistance	θ_{JA}	250	°C/W
Power Dissipation in Still Air at 85°C	P_D	250	mW
Moisture Sensitivity	MSL	Level 1	
Flammability Rating	Oxygen Index: 30% – 35% F_R	UL 94 V-0 @ 0.125 in	
ESD Withstand Voltage	Human Body Model (Note 2) Machine Model (Note 3) Charged Device Model (Note 4) V_{ESD}	> 2000 200 N/A	V
Latchup Performance	Above V_{CC} and Below GND at 85°C (Note 5) $I_{LATCHUP}$	± 300	mA

Stresses exceeding those listed in the Maximum Ratings table may damage the device. If any of these limits are exceeded, device functionality should not be assumed, damage may occur and reliability may be affected.

1. Measured with minimum pad spacing on an FR4 board, using 10 mm-by-1 inch, 2-ounce copper trace with no air flow.
2. Tested to EIA/JESD22-A114-A.
3. Tested to EIA/JESD22-A115-A.
4. Tested to JESD22-C101-A.
5. Tested to EIA/JESD78.

RECOMMENDED OPERATING CONDITIONS

Characteristics	Symbol	Min	Max	Unit
Positive DC Supply Voltage	V_{CC}	2.0	5.5	V
Digital Input Voltage (Select and Inhibit)	V_{IN}	GND	5.5	V
Static or Dynamic Voltage Across an Off Switch	V_{IO}	GND	V_{CC}	V
Analog Input Voltage (CH, COM)	V_{IS}	GND	V_{CC}	V
Operating Temperature Range, All Package Types	T_A	-55	+125	°C
Input Rise or Fall Time (Enable Input)	t_r, t_f	0	100	ns/V
		0	20	
		$V_{CC} = 3.3 \text{ V} \pm 0.3 \text{ V}$		
		$V_{CC} = 5.0 \text{ V} \pm 0.5 \text{ V}$		

Functional operation above the stresses listed in the Recommended Operating Ranges is not implied. Extended exposure to stresses beyond the Recommended Operating Ranges limits may affect device reliability.

DEVICE JUNCTION TEMPERATURE VERSUS TIME TO 0.1% BOND FAILURES

Junction Temperature °C	Time, Hours	Time, Years
80	1,032,200	117.8
90	419,300	47.9
100	178,700	20.4
110	79,600	9.4
120	37,000	4.2
130	17,800	2.0
140	8,900	1.0

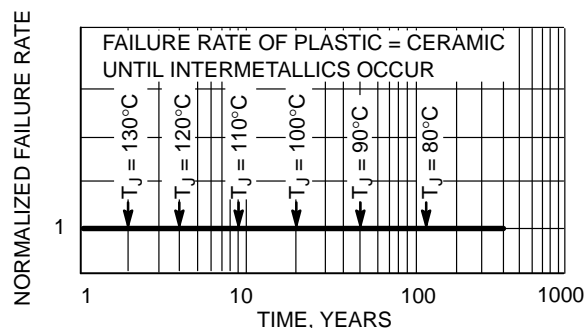


Figure 2. Failure Rate versus Time Junction Temperature

NLAS1053

DC CHARACTERISTICS – Digital Section (Voltages Referenced to GND)

Parameter	Condition	Symbol	V _{CC}	Guaranteed Limit			Unit
				-55°C to 25°C	< 85°C	< 125°C	
Minimum High-Level Input Voltage, Select and Inhibit Inputs		V _{IH}	2.0	1.5	1.5	1.5	V
			2.5	1.9	1.9	1.9	
			3.0	2.1	2.1	2.1	
			4.5	3.15	3.15	3.15	
			5.5	3.85	3.85	3.85	
Maximum Low-Level Input Voltage, Select and Inhibit Inputs		V _{IL}	2.0	0.5	0.5	0.5	V
			2.5	0.6	0.6	0.6	
			3.0	0.9	0.9	0.9	
			4.5	1.35	1.35	1.35	
			5.5	1.65	1.65	1.65	
Maximum Input Leakage Current, Select and Inhibit Inputs	V _{IN} = 5.5 V or GND	I _{IN}	0 V to 5.5 V	±0.1	±1.0	±1.0	μA
Maximum Quiescent Supply Current	Select and Inhibit = V _{CC} or GND	I _{CC}	5.5	1.0	1.0	2.0	μA

DC ELECTRICAL CHARACTERISTICS – Analog Section

Parameter	Condition	Symbol	V _{CC}	Guaranteed Limit			Unit
				-55 to 25°C	< 85°C	< 125°C	
Maximum "ON" Resistance (Figures 17 – 23)	V _{IN} = V _{IL} or V _{IH} V _{IS} = GND to V _{CC} I _{INL} ≤ 10.0 mA	R _{ON}	2.5	70	85	105	Ω
			3.0	40	46	52	
			4.5	20	28	34	
			5.5	16	22	28	
ON Resistance Flatness (Figures 17 – 23)	V _{IN} = V _{IL} or V _{IH} I _{INL} ≤ 10.0 mA V _{IS} = 1V, 2V, 3.5V	R _{FLAT} (ON)	4.5	4	4	5	Ω
ON Resistance Match Between Channels	V _{IN} = V _{IL} or V _{IH} I _{INL} ≤ 10.0 mA V _{CH1} or V _{CH0} = 3.5 V	ΔR _{ON} (ON)	4.5	2	2	3	Ω
CH1 or CH0 Off Leakage Current (Figure 9)	V _{IN} = V _{IL} or V _{IH} V _{CH1} or V _{CH0} = 1.0 V _{COM} 4.5 V	I _{CH0} I _{CH1}	5.5	1	10	100	nA
COM ON Leakage Current (Figure 9)	V _{IN} = V _{IL} or V _{IH} V _{CH1} 1.0 V or 4.5 V with V _{CH0} floating or V _{CH1} 1.0 V or 4.5 V with V _{CH1} floating V _{COM} = 1.0 V or 4.5 V	I _{COM(ON)}	5.5	1	10	100	nA

NLAS1053

AC ELECTRICAL CHARACTERISTICS (Input $t_r = t_f = 3.0$ ns)

Parameter	Test Conditions	Symbol	V _{CC} (V)	Guaranteed Max Limit						Unit	
				-55 to 25°C			< 85°C		< 125°C		
				Min	Typ*	Max	Min	Max	Min		Max
Turn-On Time (Figures 12 and 13) INH to Output	R _L = 300 Ω, C _L = 35 pF (Figures 4 and 5)	t _{ON}	2.5	2	7	12	2	15	2	15	ns
			3.0	2	5	10	2	15	2	15	
			4.5	1	4	9	1	12	1	12	
			5.5	1	3	8	1	12	1	12	
Turn-Off Time (Figures 12 and 13) INH to Output	R _L = 300 Ω, C _L = 35 pF (Figures 4 and 5)	t _{OFF}	2.5	2	7	12	2	15	2	15	ns
			3.0	2	5	10	2	15	2	15	
			4.5	1	4	9	1	12	1	12	
			5.5	1	3	8	1	12	1	12	
Transition Time (Channel Selection Time) (Figure) Select to Output	R _L = 300 Ω, C _L = 35 pF (Figures and)	t _{trans}	2.5	5	18	28	5	30	5	30	ns
			3.0	5	13	21	5	25	5	25	
			4.5	2	12	16	2	20	2	20	
			5.5	2	9	14	2	20	2	20	
Minimum Break-Before-Make Time	V _{IS} = 3.0 V (Figure 3) R _L = 300 Ω, C _L = 35 pF	t _{BBM}	2.5	1	12		1		1		ns
			3.0	1	11		1		1		
			4.5	1	6		1		1		
			5.5	1	5		1		1		
			Typical @ 25, V_{CC} = 5.0 V								
Maximum Input Capacitance, Select/INH Input Analog I/O (switch off) Common I/O (switch off) Feedthrough (switch on)		C _{IN} C _{NO} or C _{NC} C _{COM} C _(ON)	8 10 10 20						pF		

*Typical Characteristics are at 25°C.

ADDITIONAL APPLICATION CHARACTERISTICS (Voltages Referenced to GND Unless Noted)

Parameter	Condition	Symbol	V _{CC} V	Typical	Unit
				25°C	
Maximum On-Channel -3dB Bandwidth or Minimum Frequency Response (Figure 10)	V _{IN} = 0 dBm V _{IN} centered between V _{CC} and GND (Figure 7)	BW	3.0 4.5 5.5	170 200 200	MHz
Maximum Feedthrough On Loss	V _{IN} = 0 dBm @ 100 kHz to 50 MHz V _{IN} centered between V _{CC} and GND (Figure 7)	V _{ONL}	3.0 4.5 5.5	-3 -3 -3	dB
Off-Channel Isolation (Figure 10)	f = 100 kHz; V _{IS} = 1 V RMS V _{IN} centered between V _{CC} and GND (Figure 7)	V _{ISO}	3.0 4.5 5.5	-93 -93 -93	dB
Charge Injection Select Input to Common I/O (Figure 15)	V _{IN} = V _{CC} to GND, F _{IS} = 20 kHz t _r = t _f = 3 ns R _{IS} = 0 Ω, C _L = 1000 pF Q = C _L * ΔV _{OUT} (Figure 8)	Q	3.0 5.5	1.5 3.0	pC
Total Harmonic Distortion THD + Noise (Figure 14)	F _{IS} = 20 Hz to 100 kHz, R _L = R _{gen} = 600 Ω C _L = 50 pF V _{IS} = 5.0 V _{PP} sine wave	THD	5.5	0.1	%

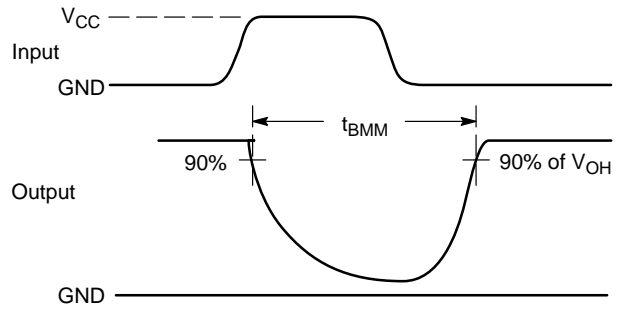
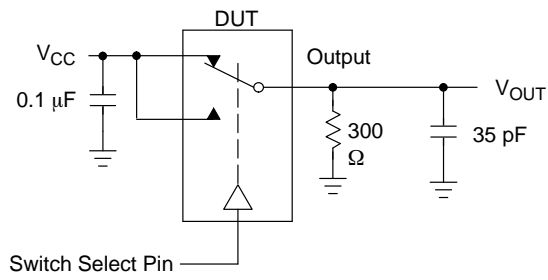


Figure 3. t_{BMM} (Time Break-Before-Make)

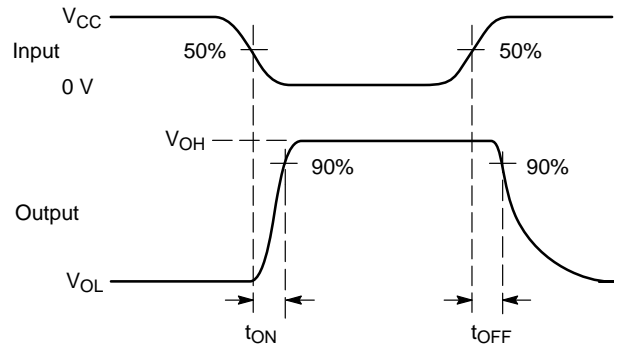
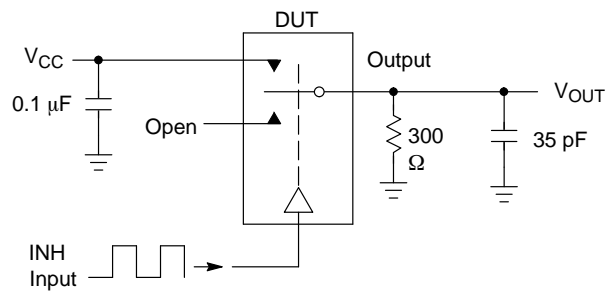


Figure 4. t_{ON}/t_{OFF}

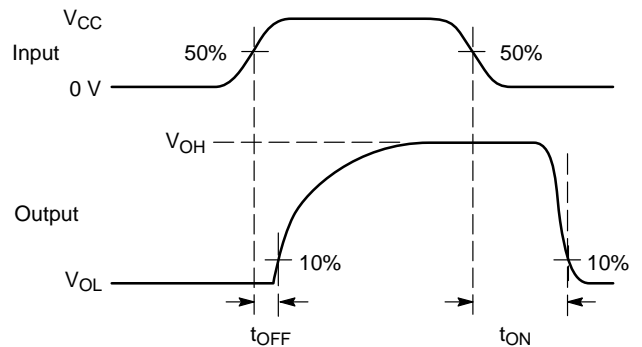
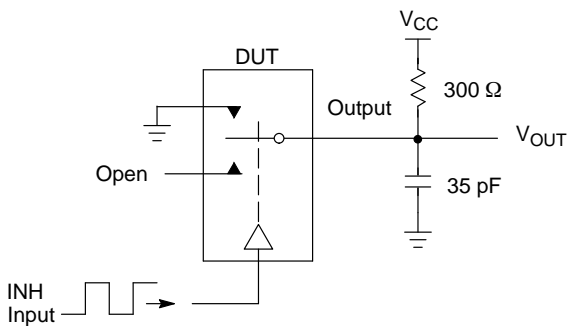


Figure 5. t_{ON}/t_{OFF}

NLAS1053

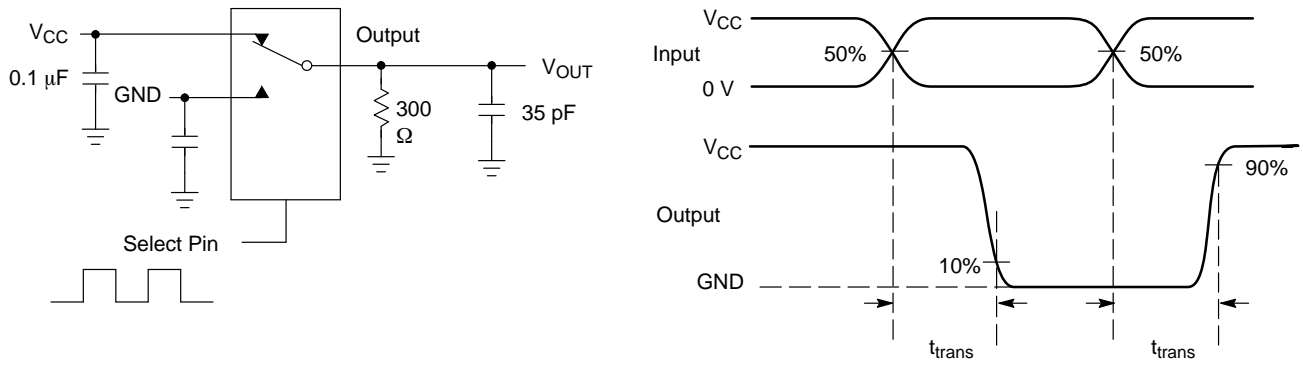
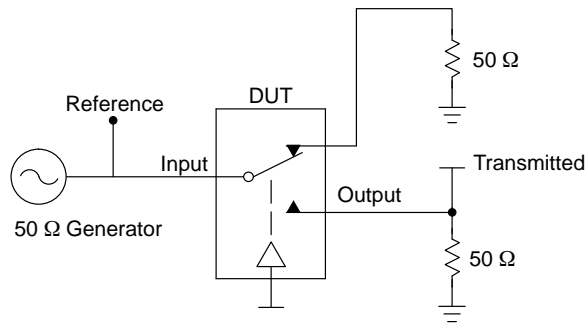


Figure 6. t_{trans} (Channel Selection Time)



Channel switch control/s test socket is normalized. Off isolation is measured across an off channel. On loss is the bandwidth of an On switch. V_{ISO} , Bandwidth and V_{ONL} are independent of the input signal direction.

$$V_{ISO} = \text{Off Channel Isolation} = 20 \text{ Log} \left(\frac{V_{OUT}}{V_{IN}} \right) \text{ for } V_{IN} \text{ at } 100 \text{ kHz}$$

$$V_{ONL} = \text{On Channel Loss} = 20 \text{ Log} \left(\frac{V_{OUT}}{V_{IN}} \right) \text{ for } V_{IN} \text{ at } 100 \text{ kHz to } 50 \text{ MHz}$$

Bandwidth (BW) = the frequency 3 dB below V_{ONL}

Figure 7. Off Channel Isolation/On Channel Loss (BW)/Crosstalk (On Channel to Off Channel)/ V_{ONL}

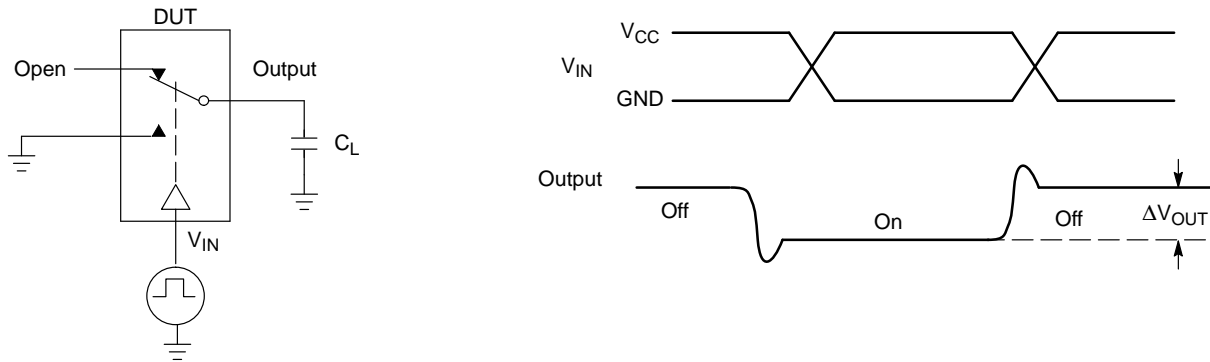


Figure 8. Charge Injection: (Q)

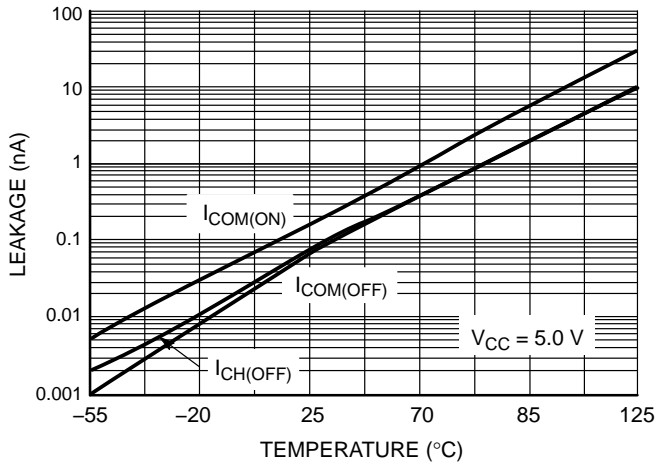


Figure 9. Switch Leakage versus Temperature

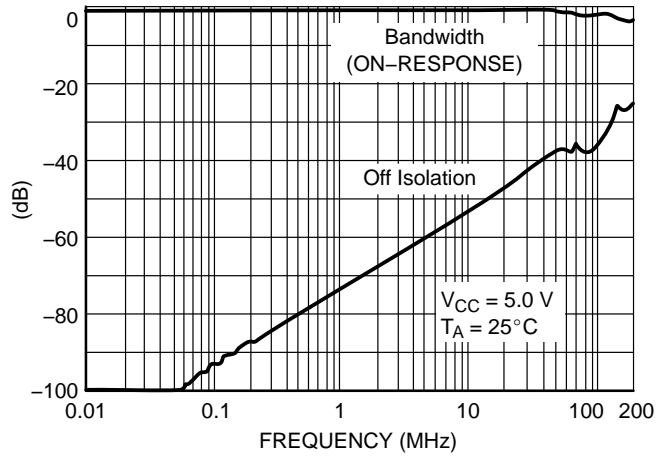


Figure 10. Bandwidth and Off-Channel Isolation

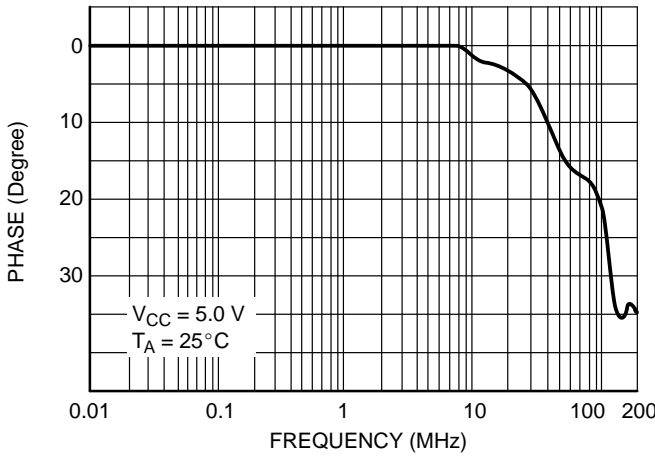


Figure 11. Phase versus Frequency

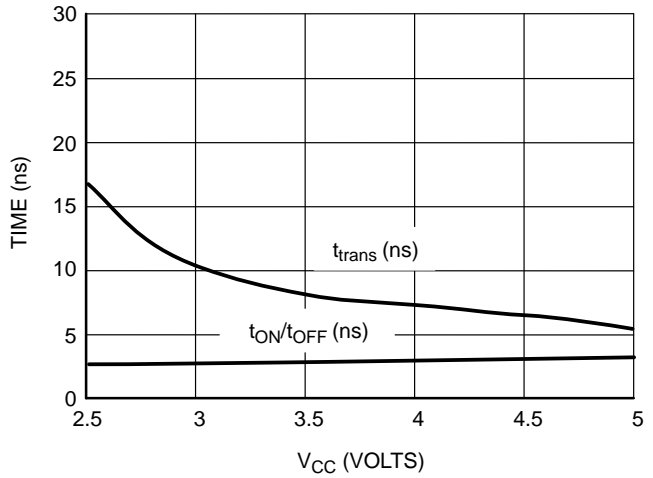


Figure 12. t_{ON} and t_{OFF} versus V_{CC} at 25°C

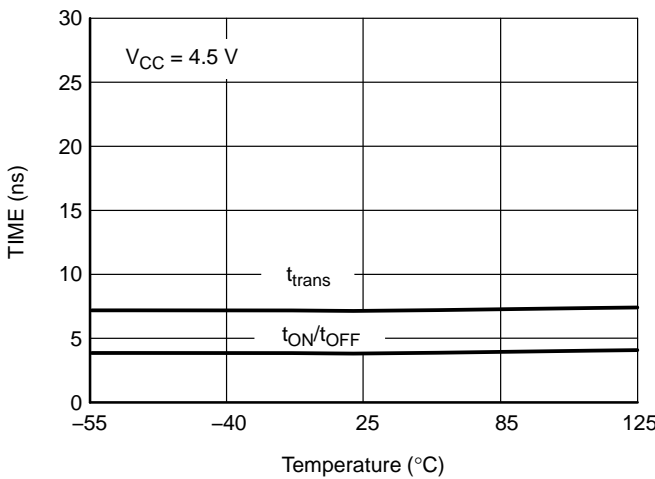


Figure 13. t_{ON} and t_{OFF} versus Temp

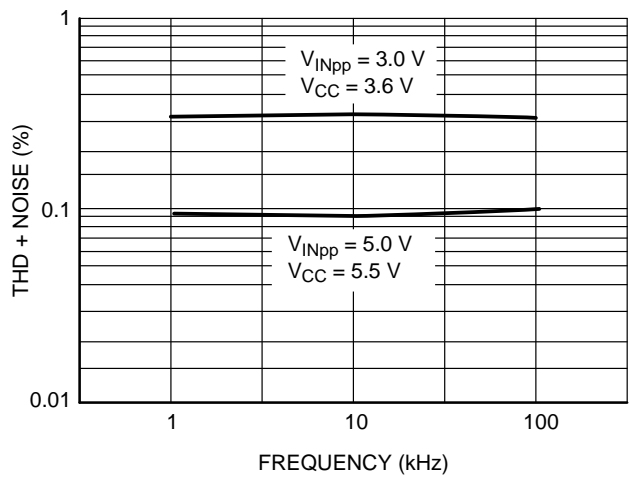


Figure 14. Total Harmonic Distortion Plus Noise versus Frequency

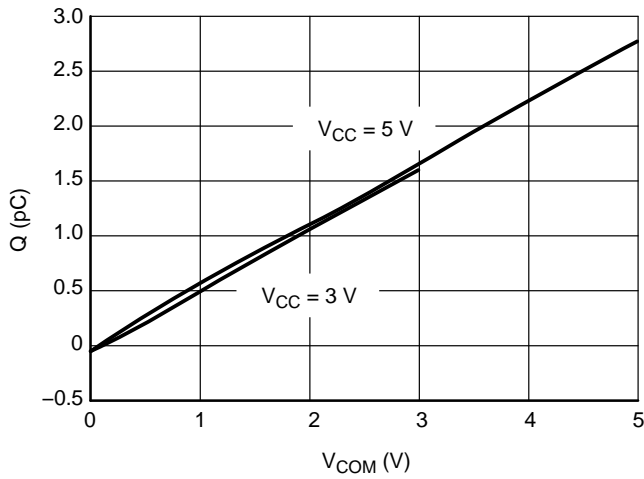


Figure 15. Charge Injection versus COM Voltage

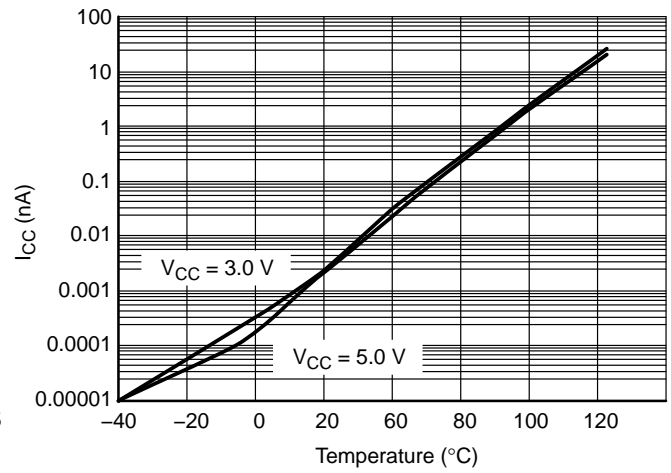


Figure 16. I_{CC} versus Temp, $V_{CC} = 3\text{ V}$ & 5 V

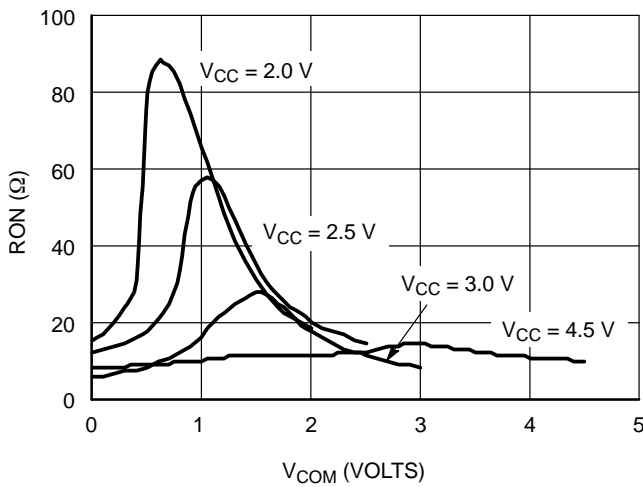


Figure 17. R_{ON} versus V_{COM} and V_{CC} (@ 25°C)

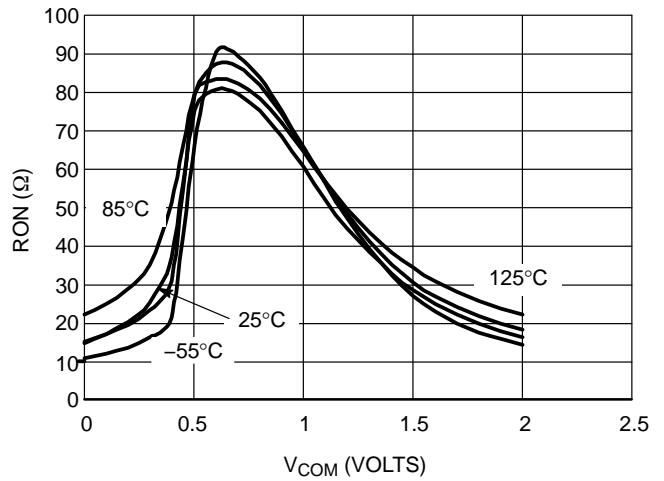


Figure 18. R_{ON} versus V_{COM} and Temperature, $V_{CC} 2.0\text{ V}$

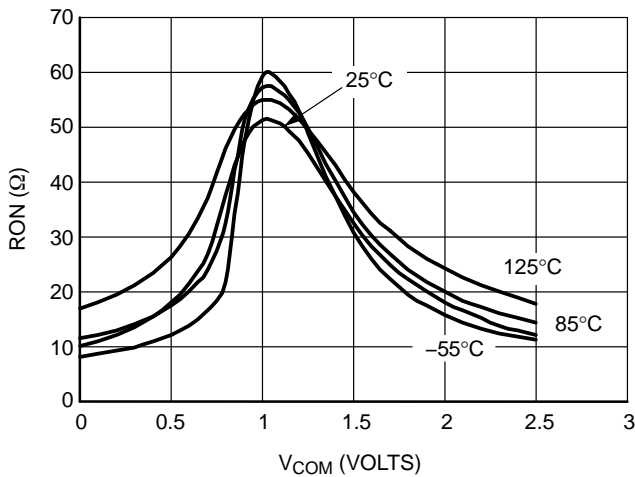


Figure 19. R_{ON} versus V_{COM} and Temperature, $V_{CC} = 2.5\text{ V}$

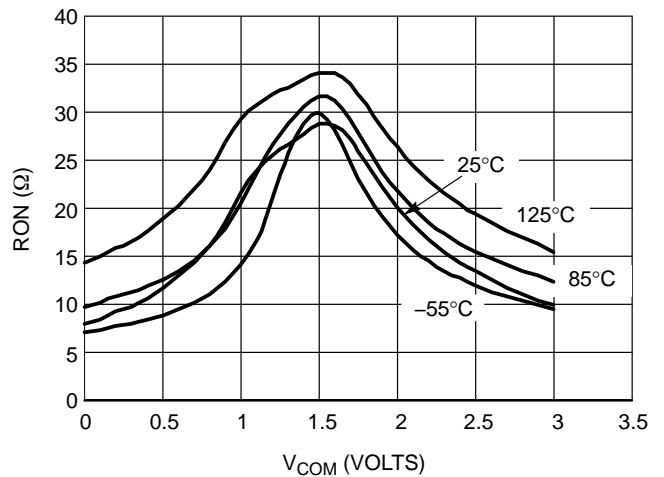


Figure 20. R_{ON} versus V_{COM} and Temperature, $V_{CC} = 3.0\text{ V}$

NLAS1053

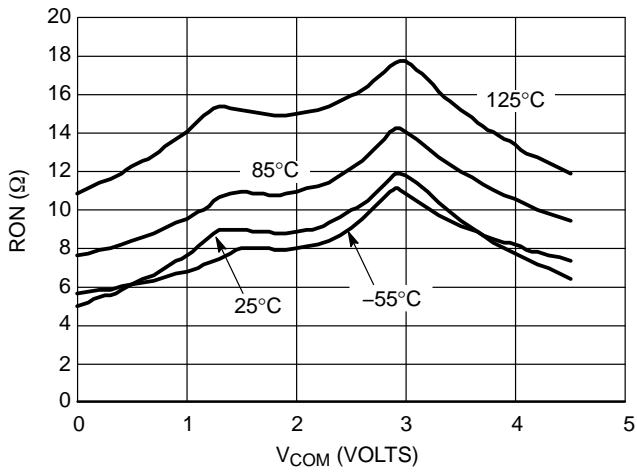


Figure 21. R_{ON} versus V_{COM} and Temperature, V_{CC} = 4.5 V

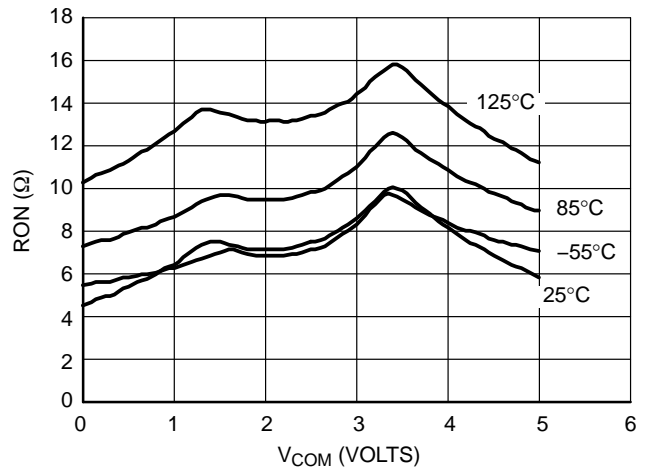


Figure 22. R_{ON} versus V_{COM} and Temperature, V_{CC} = 5.0 V

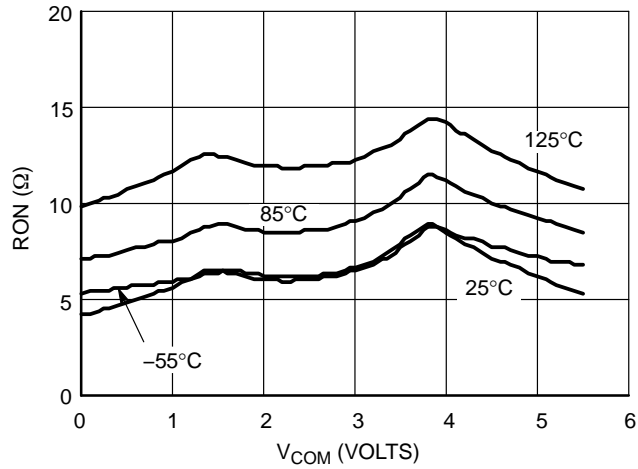


Figure 23. R_{ON} versus V_{COM} and Temperature, V_{CC} = 5.5 V

MECHANICAL CASE OUTLINE PACKAGE DIMENSIONS



SCALE 4:1

US8
CASE 493
ISSUE F

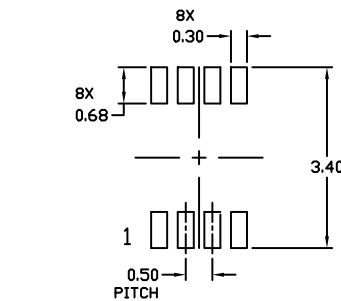
DATE 01 SEP 2021



NOTES:

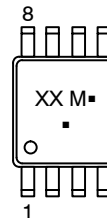
1. DIMENSIONING AND TOLERANCING PER ANSI Y14.5M, 1982.
2. CONTROLLING DIMENSION: MILLIMETERS
3. DIMENSION A DOES NOT INCLUDE MOLD FLASH, PROTRUSION, OR GATE BURR. MOLD FLASH, PROTRUSION, OR GATE BURR SHALL NOT EXCEED 0.14 (0.0055") PER SIDE.
4. DIMENSION B DOES NOT INCLUDE INTERLEAD FLASH OR PROTRUSION. INTERLEAD FLASH AND PROTRUSION SHALL NOT EXCEED 0.14 (0.0055") PER SIDE.
5. LEAD FINISH IS SOLDER PLATING WITH THICKNESS OF 0.0076-0.0203 MM (0.003-0.008").
6. ALL TOLERANCE UNLESS OTHERWISE SPECIFIED ±0.0508 MM (0.002").

DIM	MILLIMETERS		INCHES	
	MIN.	MAX.	MIN.	MAX.
A	1.90	2.10	0.075	0.083
B	2.20	2.40	0.087	0.094
C	0.60	0.90	0.024	0.035
D	0.17	0.25	0.007	0.010
F	0.20	0.35	0.008	0.014
G	0.50 BSC		0.020 BSC	
H	0.40 REF		0.016 REF	
J	0.10	0.18	0.004	0.007
K	0.00	0.10	0.000	0.004
L	3.00	3.25	0.118	0.128
M	0°	6°	0°	6°
N	0°	10°	0°	10°
P	0.23	0.34	0.010	0.013
R	0.23	0.33	0.009	0.013
S	0.37	0.47	0.015	0.019
U	0.60	0.80	0.024	0.031
V	0.12 BSC		0.005 BSC	



* For additional information on our Pb-Free strategy and soldering details, please download the DN Semiconductor Soldering and Mounting Techniques Reference Manual, SOLDERM/D.

GENERIC MARKING DIAGRAM*



- XX = Specific Device Code
- M = Date Code
- = Pb-Free Package

(Note: Microdot may be in either location)

*This information is generic. Please refer to device data sheet for actual part marking. Pb-Free indicator, "G" or microdot "▪", may or may not be present. Some products may not follow the Generic Marking.

DOCUMENT NUMBER:	98AON04475D	Electronic versions are uncontrolled except when accessed directly from the Document Repository. Printed versions are uncontrolled except when stamped "CONTROLLED COPY" in red.
DESCRIPTION:	US8	PAGE 1 OF 1

onsemi and ONSEMI are trademarks of Semiconductor Components Industries, LLC dba onsemi or its subsidiaries in the United States and/or other countries. onsemi reserves the right to make changes without further notice to any products herein. onsemi makes no warranty, representation or guarantee regarding the suitability of its products for any particular purpose, nor does onsemi assume any liability arising out of the application or use of any product or circuit, and specifically disclaims any and all liability, including without limitation special, consequential or incidental damages. onsemi does not convey any license under its patent rights nor the rights of others.

onsemi, **Onsemi**, and other names, marks, and brands are registered and/or common law trademarks of Semiconductor Components Industries, LLC dba "**onsemi**" or its affiliates and/or subsidiaries in the United States and/or other countries. **onsemi** owns the rights to a number of patents, trademarks, copyrights, trade secrets, and other intellectual property. A listing of **onsemi**'s product/patent coverage may be accessed at www.onsemi.com/site/pdf/Patent-Marking.pdf. **onsemi** reserves the right to make changes at any time to any products or information herein, without notice. The information herein is provided "as-is" and **onsemi** makes no warranty, representation or guarantee regarding the accuracy of the information, product features, availability, functionality, or suitability of its products for any particular purpose, nor does **onsemi** assume any liability arising out of the application or use of any product or circuit, and specifically disclaims any and all liability, including without limitation special, consequential or incidental damages. Buyer is responsible for its products and applications using **onsemi** products, including compliance with all laws, regulations and safety requirements or standards, regardless of any support or applications information provided by **onsemi**. "Typical" parameters which may be provided in **onsemi** data sheets and/or specifications can and do vary in different applications and actual performance may vary over time. All operating parameters, including "Typicals" must be validated for each customer application by customer's technical experts. **onsemi** does not convey any license under any of its intellectual property rights nor the rights of others. **onsemi** products are not designed, intended, or authorized for use as a critical component in life support systems or any FDA Class 3 medical devices or medical devices with a same or similar classification in a foreign jurisdiction or any devices intended for implantation in the human body. Should Buyer purchase or use **onsemi** products for any such unintended or unauthorized application, Buyer shall indemnify and hold **onsemi** and its officers, employees, subsidiaries, affiliates, and distributors harmless against all claims, costs, damages, and expenses, and reasonable attorney fees arising out of, directly or indirectly, any claim of personal injury or death associated with such unintended or unauthorized use, even if such claim alleges that **onsemi** was negligent regarding the design or manufacture of the part. **onsemi** is an Equal Opportunity/Affirmative Action Employer. This literature is subject to all applicable copyright laws and is not for resale in any manner.

PUBLICATION ORDERING INFORMATION

LITERATURE FULFILLMENT:

Email Requests to: orderlit@onsemi.com

onsemi Website: www.onsemi.com

TECHNICAL SUPPORT

North American Technical Support:
Voice Mail: 1 800-282-9855 Toll Free USA/Canada
Phone: 011 421 33 790 2910

Europe, Middle East and Africa Technical Support:

Phone: 00421 33 790 2910

For additional information, please contact your local Sales Representative