

# 12-Bit Low Power SAR ADC

## NCD98010, NCD98011

The NCD98010 (unsigned output) and the NCD98011 (signed output) ADC products provide an extremely low power solution for analog to digital conversion applications using a capacitor-based successive-approximation architecture. Optimized for low power and speed, the NCD98010/1 can achieve a sample rate of 2 MSPS while consuming less than 1 mW of power. The device also features a large input voltage range of 1.65 V to 3.3 V for various applications for both analog and digital supplies. The SPI-compatible interface provides a straight-forward data-acquisition method.

### Features

- Nanowatt Power Consumption
- Fully Differential Input
- 2-MSPS Throughput
- Small Package Size
- Pre-Calibrated
- SPI Interface
- These Devices are Pb-Free, Halogen Free/BFR Free and are RoHS Compliant

### Typical Applications

- Low-Power Data Acquisition
- Battery-powered Equipment
- Level Sensors
- Ultrasonic Flow Meters
- Motor Controls
- Wearable Fitness
- Portable Medical Equipment
- Glucose Meters

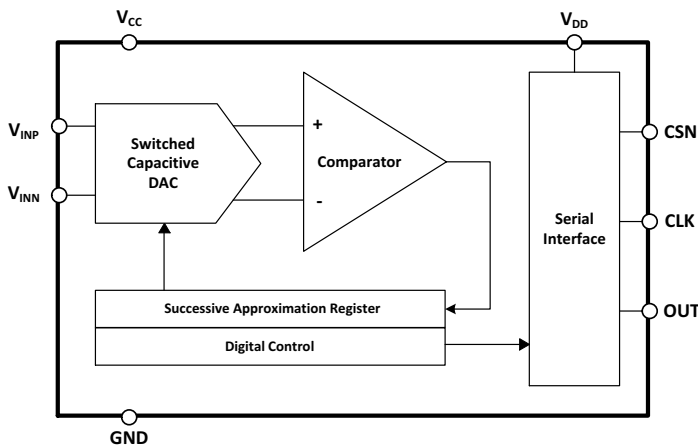


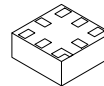
Figure 1. Block Diagram



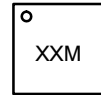
ON Semiconductor®

[www.onsemi.com](http://www.onsemi.com)

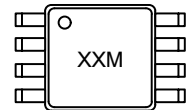
### MARKING DIAGRAMS



X2QFN8  
DP SUFFIX  
CASE 722AM

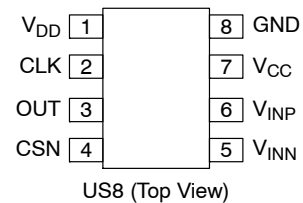
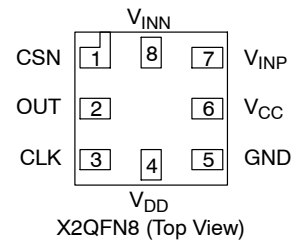


US8 (SSOP8)  
MX SUFFIX  
CASE 493



XX = Specific Device Code  
M = Date Code

### PIN CONFIGURATION



### ORDERING INFORMATION

Device	Package	Shipping†
NCD98010XMXTAG	X2QFN	5000 / Tape & Reel
NCD98011XMXTAG		
NCD98010XDPT3G*	SSOP8	
NCD98011XDPT3G*		

†For information on tape and reel specifications, including part orientation and tape sizes, please refer to our Tape and Reel Packaging Specification Brochure, BRD8011/D.

\* These products are currently under development. Please contact Sales regarding their availability.

# NCD98010, NCD98011

## PIN DESCRIPTION

X2QFN Pin No.	SSOP Pin No.	Name	Function
1	4	CSN	Chip select (active low)
2	3	OUT	Data Output (serialized)
3	2	CLK	Clock
4	1	VDD	Digital I/O supply voltage
5	8	GND	Common ground for all pins
6	7	VCC	Analog supply and ADC reference voltage
7	6	V <sub>INP</sub>	Analog input, positive signal
8	5	V <sub>INN</sub>	Analog input, negative signal

## MAXIMUM RATINGS

Rating	Symbol	Value	Unit
Supply Voltage Range	V <sub>CC</sub>	-0.3 to 3.63	V
Supply Voltage Range	V <sub>DD</sub>	-0.3 to 3.63	V
Input Voltage Range	V <sub>INP</sub>	-0.3 to 3.63	V
Input Voltage Range	V <sub>INN</sub>	-0.3 to 3.63	V
Output Voltage Range	V <sub>OUT</sub>	-0.3 to 3.63	V
CSN Input Voltage Range	V <sub>EN</sub>	-0.3 to 3.63	V
Storage Temperature Range	T <sub>STG</sub>	-40 to 150	°C
Lead Temperature, Soldering (10 sec.)	T <sub>SLD</sub>	260	°C
ESD Capability, Human Body Model (Note 1)	ESD <sub>HBM</sub>	2.0	kV
ESD Capability, Charged Device Model (Note 1)	ESD <sub>CDM</sub>	500	V
Latch-up Current Immunity (Note 1)	LU	100	mA

Stresses exceeding those listed in the Maximum Ratings table may damage the device. If any of these limits are exceeded, device functionality should not be assumed, damage may occur and reliability may be affected.

- Tested by the following methods @ T<sub>A</sub> = 25°C:  
 ESD Human Body Model tested per JESD22-A114  
 ESD Charged Device Model per ESD STM5.3.1  
 Latch-up Current tested per JESD78.

## RECOMMENDED OPERATING CONDITIONS

Rating	Symbol	Min	Max	Unit
Analog Supply Voltage	V <sub>CC</sub>	1.65	3.6	V
Digital I/O Supply Voltage	V <sub>DD</sub>	1.65	3.6	V
Ground	GND		0	V
Ambient Temperature	T <sub>A</sub>	-40	120	°C
Junction Temperature	T <sub>J</sub>	-40	125	°C

Functional operation above the stresses listed in the Recommended Operating Ranges is not implied. Extended exposure to stresses beyond the Recommended Operating Ranges limits may affect device reliability.

# NCD98010, NCD98011

## ELECTRICAL CHARACTERISTICS (T<sub>J</sub> = 25°C, V<sub>CC</sub> = 3 V, unless otherwise noted)

Parameter	Conditions	Symbol	Min	Typ	Max	Unit
<b>POWER SUPPLY REQUIREMENTS</b>						
Analog Supply and ADC reference		V <sub>CC</sub>	1.65	3	3.6	V
Digital I/O Supply		V <sub>DD</sub>	1.65	3	3.6	V
Analog Supply Current	2 MSPS for V <sub>CC</sub> = 3.6 V	I <sub>VCC</sub>		100	150	μA
	1 MSPS for V <sub>CC</sub> = 3 V			50		μA
	100 kSPS for V <sub>CC</sub> = 3.6 V			7.6	20	μA
	1 MSPS for V <sub>CC</sub> = 1.8 V			30		μA
Analog Power Dissipation	2 MSPS for V <sub>CC</sub> = 3.6 V	P <sub>VCC</sub>		300	540	μW
	1 MSPS for V <sub>CC</sub> = 3 V			150		μW
	100 kSPS for V <sub>CC</sub> = 3.6 V			15	72	μW
	1 MSPS for V <sub>CC</sub> = 1.8 V			54		μW
Digital Supply Current Dependent on SDO loading (tested with ~7 pF)	2 MSPS for V <sub>DD</sub> = 3.6 V	I <sub>VDD</sub>		852		μA
	1 MSPS for V <sub>DD</sub> = 3 V			425		μA
	100 kSPS for V <sub>DD</sub> = 3.6 V			45		μA
	1 MSPS for V <sub>DD</sub> = 1.8 V			136		μA
Standby current (CSN high) (Note 2)	V <sub>CC</sub> = 3.6 V	I <sub>STNDBY</sub>		3.9	6	μA

### ANALOG INPUT

Full-Scale Voltage Span	Common Mode Voltage=V <sub>CC</sub> /2	V <sub>fs</sub>	-V <sub>CC</sub>		V <sub>CC</sub>	V <sub>ppd</sub>
Absolute Voltage Range	V <sub>inp</sub> to GND		-0.2		V <sub>CC</sub> + 0.1	V
	V <sub>inn</sub> to GND		-0.2		V <sub>CC</sub> + 0.1	V
Sampling Capacitance	Measured with 1kHz, 1V Stimuli	C <sub>S</sub>		2		pF

### SYSTEM PERFORMANCE

Resolution				12		Bits
Integral Nonlinearity (Note 3)	V <sub>CC</sub> = 1.8 V	INL	-2	0	2	LSB
	V <sub>CC</sub> = 3.3 V		-2	0	2	
Differential Nonlinearity (Note 3)	V <sub>CC</sub> = 1.8 V	DNL	-1	0	1.5	LSB
	V <sub>CC</sub> = 3.3 V		-1	0	1.5	
Offset Error	V <sub>CC</sub> = 1.8 V	E <sub>O</sub>		0		LSB
	V <sub>CC</sub> = 3.3 V		-10	0	10	
Effective Number of bits	V <sub>CC</sub> = 1.8 V	ENOB		10		
	V <sub>CC</sub> = 3.3 V			11.2		
Offset error drift with temperature		dV <sub>OS</sub> /dT		0.02		ppm/°C
Gain Error	V <sub>CC</sub> = 1.8 V	E <sub>G</sub>	-0.6	0.3	0.6	%FS
	V <sub>CC</sub> = 3.3 V			0.3		
Gain error drift with temperature				0.0006		%FS/°C
Missing Codes				0		Codes

### SAMPLING DYNAMICS

Acquisition Time					62.5	ns
Maximum throughput rate				2		MSPS

### DYNAMIC CHARACTERISTICS

Signal-to-Noise Ratio	f <sub>IN</sub> = 1 kHz V <sub>CC</sub> = 3.3 V	SNR		70		dB
	f <sub>IN</sub> = 1 kHz V <sub>CC</sub> = 1.8 V			65		

# NCD98010, NCD98011

## ELECTRICAL CHARACTERISTICS (T<sub>J</sub> = 25°C, V<sub>CC</sub> = 3 V, unless otherwise noted)

Parameter	Conditions	Symbol	Min	Typ	Max	Unit
<b>DYNAMIC CHARACTERISTICS</b>						
Total-Harmonic Distortion	f <sub>IN</sub> = 1 kHz V <sub>CC</sub> = 3.3 V	THD		-80		dB
	f <sub>IN</sub> = 1 kHz V <sub>CC</sub> = 1.8 V			-80		
Signal-to-Noise and Distortion (Note 4)	f <sub>IN</sub> = 1 kHz V <sub>CC</sub> = 3.3 V	SINAD	68	69		dB
	f <sub>IN</sub> = 1 kHz V <sub>CC</sub> = 1.8 V			62		
Spurious-Free Dynamic Range (Note 4)	f <sub>IN</sub> = 1 kHz V <sub>CC</sub> = 3.3 V	SFDR	69	80		dB
	f <sub>IN</sub> = 1 kHz V <sub>CC</sub> = 1.8 V			74		

### DIGITAL INPUT/OUTPUT

High-Level Input Voltage		V <sub>IH</sub>	V <sub>DD</sub> *0.7			V
Low-Level Input Voltage		V <sub>IL</sub>			V <sub>DD</sub> *0.3	V
High-Level Output Voltage	2 mA drive	V <sub>OH</sub>	V <sub>DD</sub> - 0.5 V			V
Low-Level Output Voltage	2 mA drive	V <sub>OL</sub>			GND+0.5	V

Product parametric performance is indicated in the Electrical Characteristics for the listed test conditions, unless otherwise noted. Product performance may not be indicated by the Electrical Characteristics if operated under different conditions.

2. Standby current includes both digital and analog currents.
3. INL and DNL parameters were verified via bench testing and are not used for production screening.
4. SINAD and SFDR are tested at production and guaranteed by correlation to bench test results.

## TIMING CHARACTERISTICS (T<sub>J</sub> = 25°C unless otherwise specified)

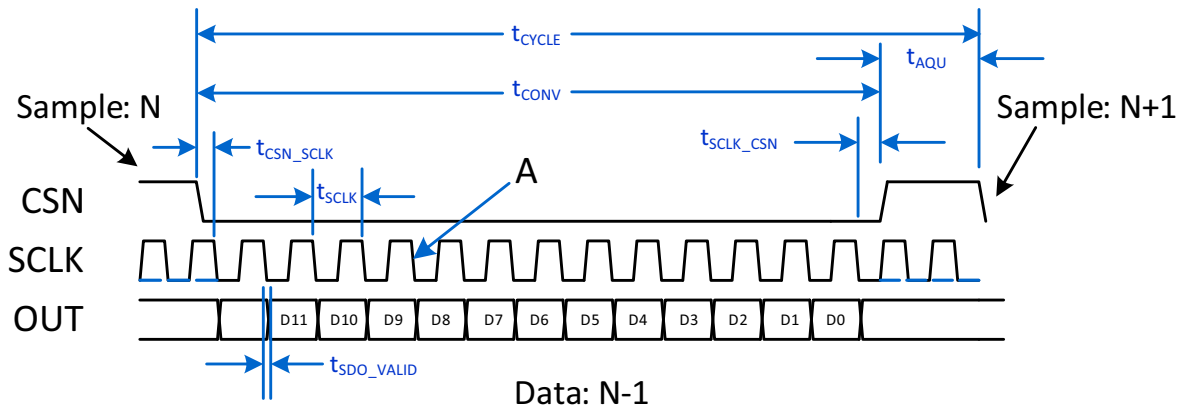
Parameter	Conditions	Symbol	Min	Typ	Max	Unit
<b>TIMING SPECIFICATIONS</b>						
Throughput		f <sub>THROUGH</sub>			2	MSPS
Cycle Time		f <sub>CYCLE</sub>	0.5			μs
Conversion Time		f <sub>CONV</sub>	437.5			ns
Data Delay				1		cycle

### TIMING REQUIREMENTS

Acquisition Time (CSN high)		t <sub>ACQ</sub>	62.5			ns
CLK Frequency		f <sub>CLK</sub>			32	MHz
CLK Period		t <sub>CLK</sub>			31.25	ns
CSN Falling to 1 <sup>st</sup> SCLK falling edge		t <sub>CSN_SCLK</sub>	15.75			ns
Last SCLK falling edge to CSN rising		t <sub>SCLK_CSN</sub>	15.75			ns
Falling SCLK to SDO valid (Note 5)	Assumed 10 pF Load	t <sub>SDO_VALID</sub>			30	ns

5. When SCLK is running at higher frequencies, the t<sub>SDO\_VALID</sub> of 30 ns requires SDO to be sampled on the falling edge of SCLK at the end of the bit width just before SDO changes to the next output. This will ensure acquisition of the correct data. For example, location A shown below would be the best place to sample SDO for the acquisition of bit 9.

# NCD98010, NCD98011



Data: N-1

Figure 2. Serial Interface Timing

TYPICAL CHARACTERISTICS

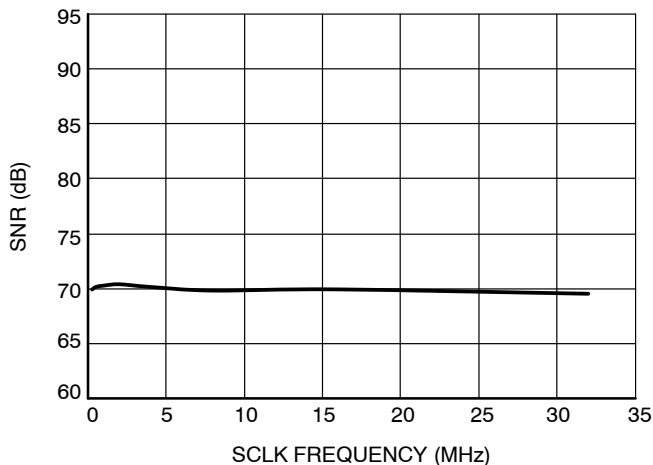


Figure 3. SNR vs. SCLK Frequency

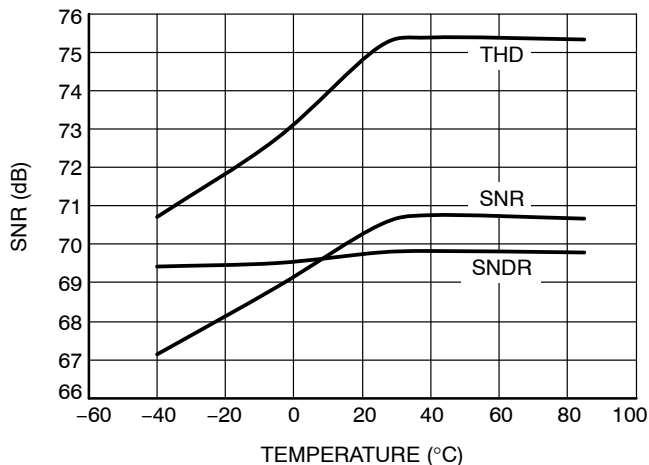


Figure 4. SNR vs. Temperature

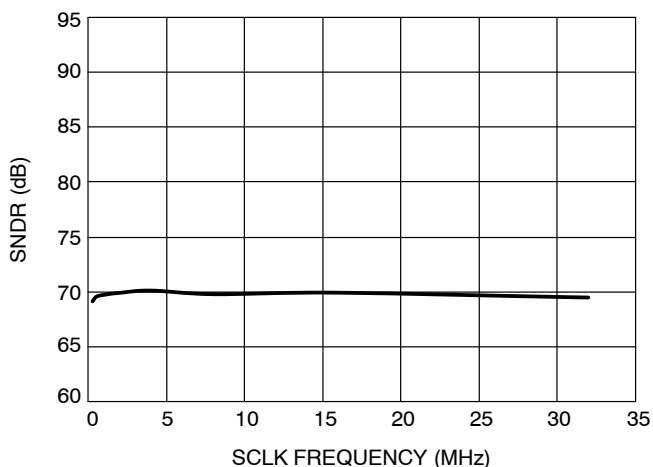


Figure 5. SNDR vs. SCLK Frequency

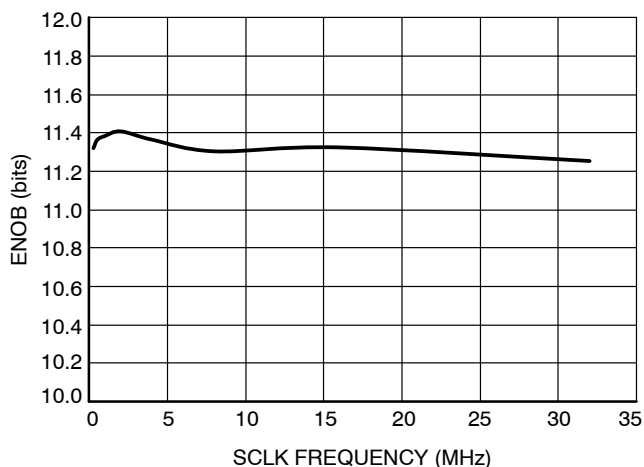


Figure 6. ENOB vs. SCLK Frequency

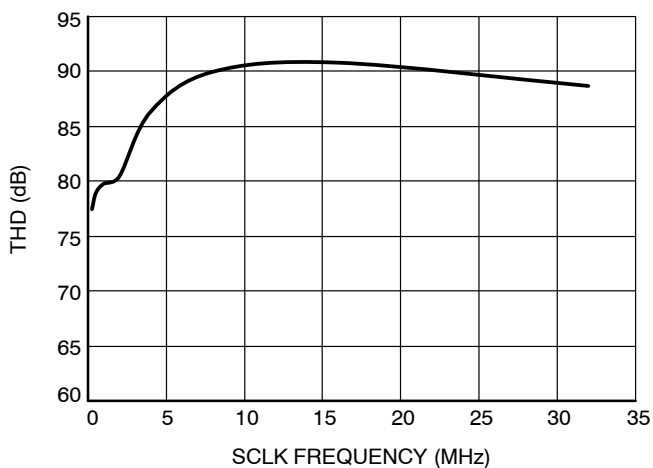


Figure 7. THD vs. SCLK Frequency

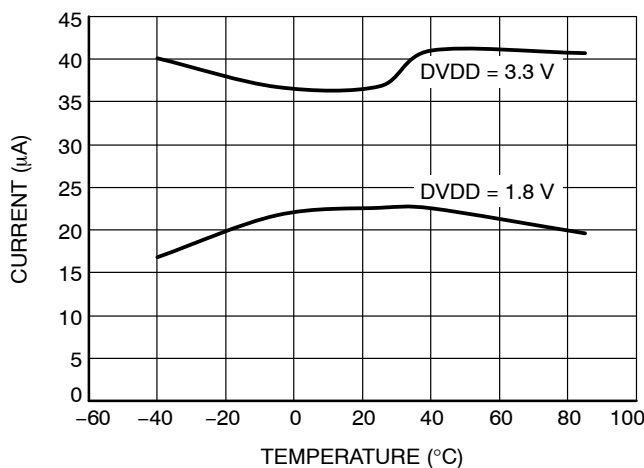


Figure 8. DVDD Current vs. Temperature (SCLK = 2 kHz)

TYPICAL CHARACTERISTICS

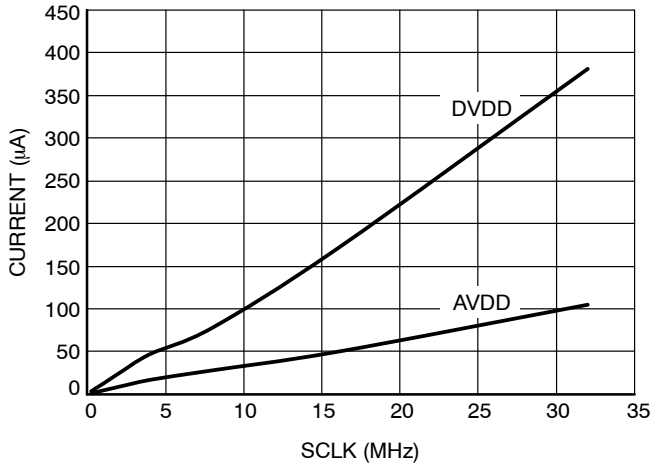


Figure 9. Current vs. SCLK Frequency

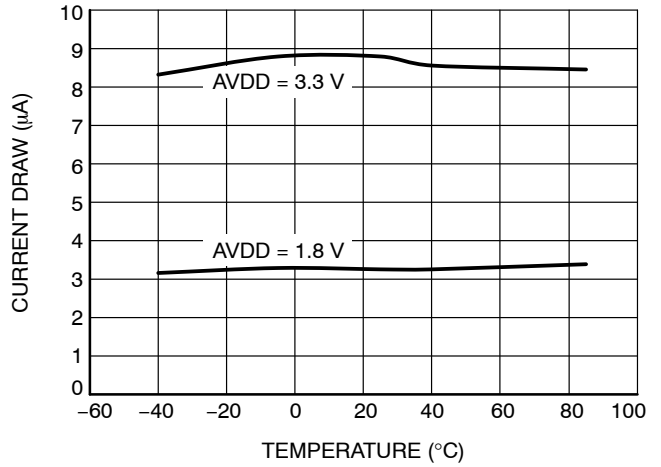


Figure 10. AVDD Current vs. Frequency

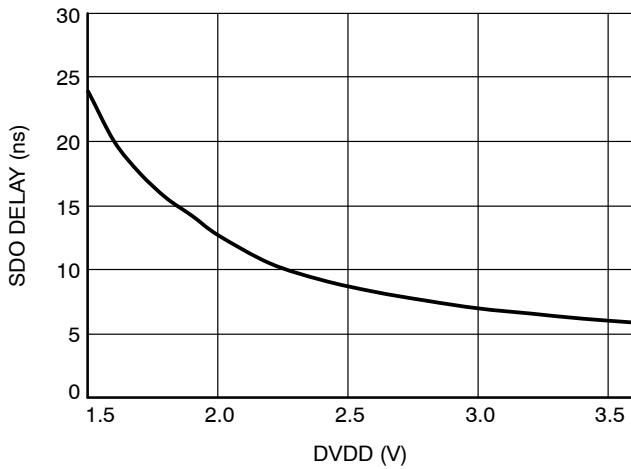


Figure 11. SDO Delay from Falling Edge of SCLK

**TERMINOLOGY**

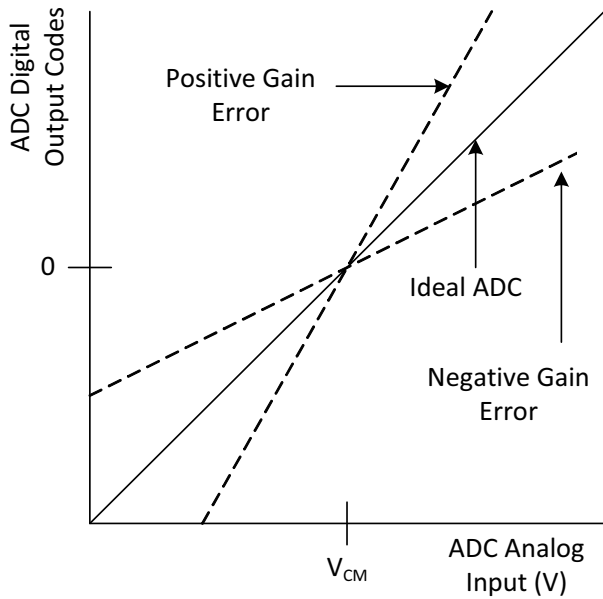
Understanding how ADC metrics affect application performance is key to obtaining desired performance. Key terminology are defined below and should be used when determining overall system performance when using the NDC98010/1.

**Offset and Gain Error**

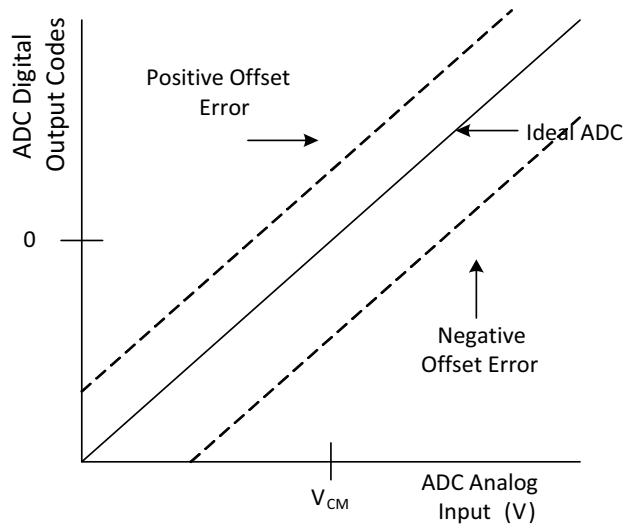
Offset and gain, if characterized, can be calibrated out post digitization. An ideal ADC has a linear transfer function following the equation  $y = m \cdot x + b$ , where  $m$  is the gain and  $b$  is the offset. Ideally the offset would be 0, and the gain would be

$$m = \frac{(2^n - 1)}{V_{inputRange}} \quad (\text{eq. 1})$$

Any deviation from an offset of 0 and the ideal gain is considered error. Although these errors can be calibrated out, any initial gain error reduces the ADCs dynamic range. The plots below shows examples of these errors. Calibrating these errors out would be achieved by adding / subtracting codes to get the digitized output to 0 when the inputs are shorted together at  $V_{CM}$ . After the offset (for signed output format) has been calibrated, samples can be taken at both polarities to determine the gain error. The output can be multiplied by a scale factor (after the offset has been adjusted) to compensate for the gain error.



**Figure 12. Gain Error Example**



**Figure 13. Offset Error Example**

$SNR = (6.02N + 1.76)$  dB, where  $N$  is the number of bits. A 12 bit converter has a theoretical SNR of 74 dB.

**SINAD (or SNDR)**

SINAD is the signal to noise and distortion ratio. SINAD is the ratio of the RMS signal amplitude to the mean value of the root sum square (RSS) of all other spectral components, including harmonics, but excluding DC. SINAD is useful because it provides a metric for the ADCs overall dynamic performance, as it includes all components which make up noise and distortion.

**SFDR**

SFDR is the Spurious Free Dynamic Range. SFDR is the ratio of the RMS value of the signal to the RMS value of the highest magnitude spurious signal regardless of where it falls in the frequency spectrum. The highest spur might not be a harmonic, though it typically is.

**THD**

THD is the total harmonic distortion, defined as ratio of the RMS of the primary signal and the mean of the root sum squared of all the harmonics. Generally only the first 5 harmonics are considered. The figure below shows an example of these AC metrics in the frequency domain.

$$THD = 20 \log \left[ \frac{\sqrt{H_2^2 + H_3^2 + H_4^2 + H_5^2}}{H_1} \right] \quad (\text{eq. 2})$$



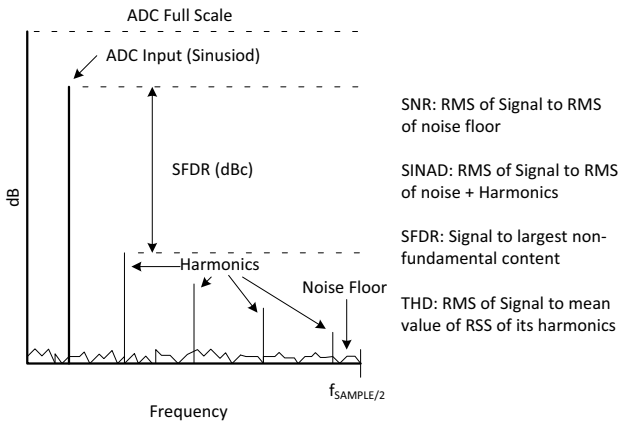


Figure 14. Spurious Free Dynamic Range in the Frequency Domain

**ENOB**

The effective number of bits describes the dynamic range of the ADC. It quantifies the actual resolution of the ADC taking into account noise and distortion. ENOB typically changes over ADC input frequency, and is an important metric for non-DC applications. It is defined as:

$$ENOB = \frac{SINAD - 1.76}{6.02} \quad (eq. 3)$$

**THEORY OF OPERATION**

The NCD98010/1 uses a successive approximation architecture. Conversion from an analog signal to a digital signal occurs in 2 different stages over 16 clock cycles. The first stage is a differential sample and hold operation, where the input  $V_{INN}$  and  $V_{INP}$  voltages are sampled onto a differential charge re-distribution capacitive array. The second stage implements a binary decision tree, bit cycling through  $1/2^N$  divisions of the reference. The internal digital control block steps through each of 12 bits to determine whether that bit in the digital output code is higher or lower than the sampled signal.  $V_{CC}$  acts as the analog supply and the ADC reference. This allows for a maximum input range of 0 V to  $V_{CC}$ .

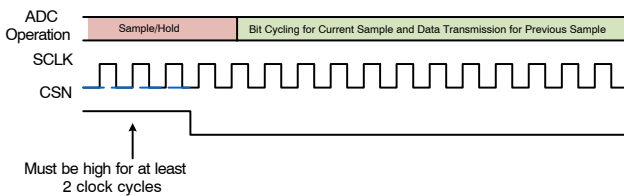


Figure 15. SAR ADC Internal Operation

**ADC TRANSFER FUNCTION**

The NCD98010/1 offers a full input range of 0 V to  $V_{CC}$ . The format of the digital output is offered in an unsigned format (NCD98010) and a signed format (NCD98011). The output code resulting from  $V_{INN}$  and  $V_{INP}$  tied together and held at  $V_{CC}/2$  is therefore 0h000 for the NCD98011 and 0h100 for the NCD98010. This distinction is shown below in Figures 16 and 17.

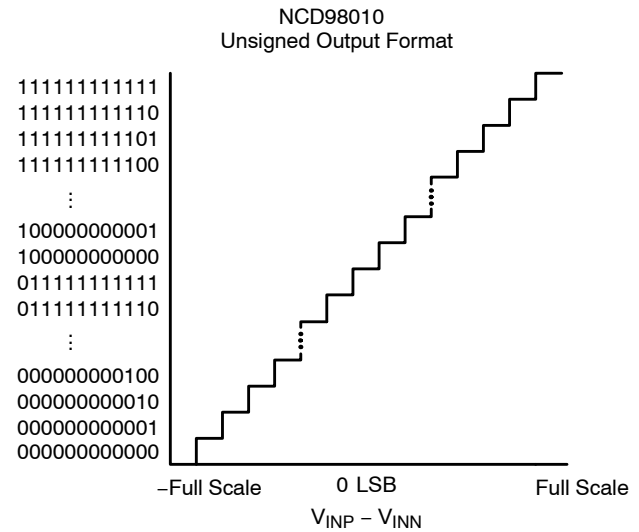


Figure 16. NCD98010 Unsigned Output Definition

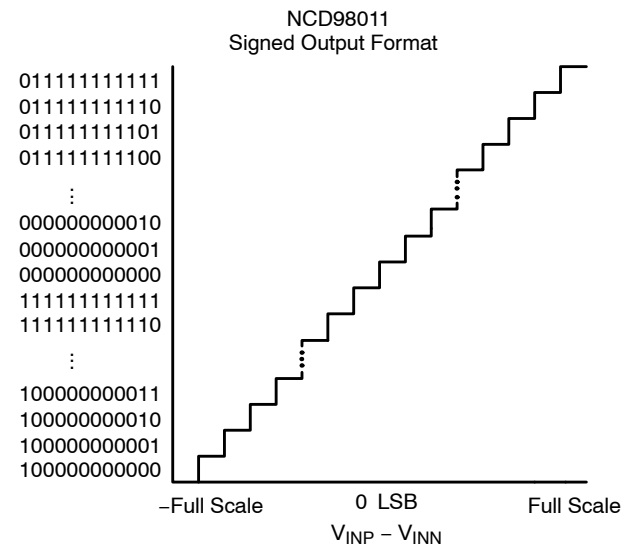
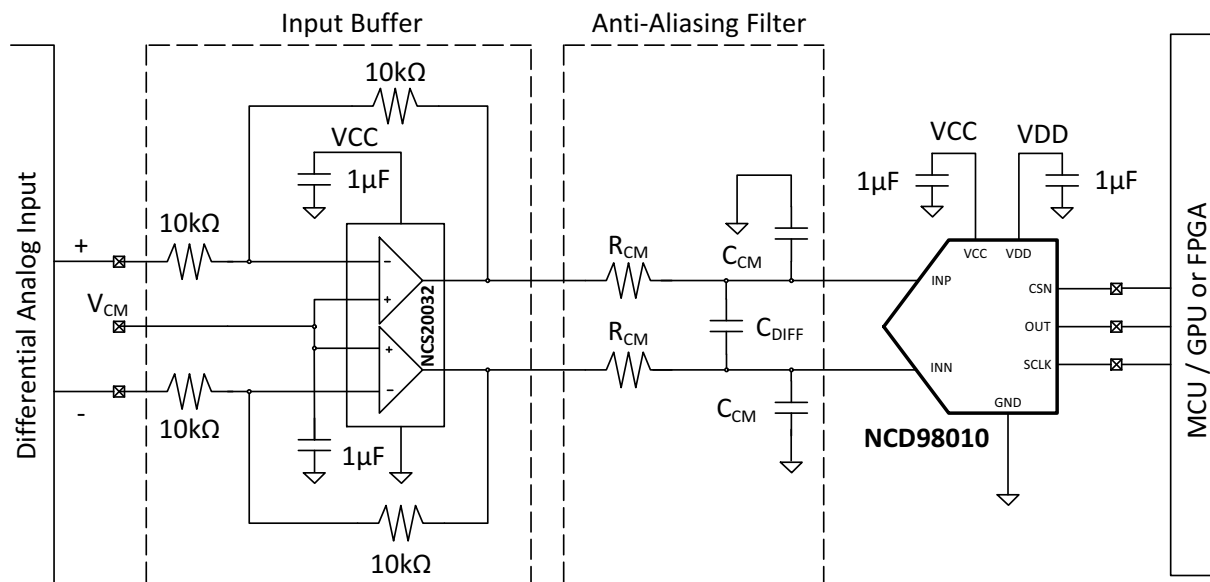


Figure 17. NCD98011 Signed Output Definition

## APPLICATION INFORMATION

The NCD98010/1 supports many application due to its small size and low power. The typical connection diagram for the NCD98010/1 maximizing performance is shown below in Figure 18.



**Figure 18. NCD Connection Diagram**

### Buffering

Many applications of the NCD98010/1 benefit by a differential input buffer. A unity gain buffer provides current drive to support the anti-aliasing filter and the 2 pF of ADC input capacitance for applications where very high input impedance is required. Input buffers also allow for control of the common mode voltage to maximize the full scale range of the ADC by setting  $V_{CM}$  to  $VCC/2$ . Input buffers are recommended for applications where the source of the differential analog inputs require extremely high input impedance. Noise introduced by the input buffers should be less than the quantization noise of the ADC (74 dB SNR) to avoid becoming the dominant noise source. Use buffers with sufficient bandwidth ( $>$  Nyquist:  $F_{SAMPLE} / 2$ ) and an offset less than 1/2 LSB to avoid introducing additional noise and offset errors.

### Anti-Alias Filter

The use of 2 common mode filters in addition to a differential filter is recommended to maintain high common mode rejection. These anti-aliasing filter are built using  $R_{CM}$ ,  $C_{CM}$ , and  $C_{DIFF}$  as shown above in Figure 12 in the Anti-Aliasing Filter box. The equations for determining the cutoff frequencies of each filter are as follows:

$$f_{cutoff\_CM}(HZ) = \frac{1}{2\pi \cdot R_{CM} \cdot C_{CM}} \quad (eq. 4)$$

(1) Cutoff frequency for the common mode filters.

$$f_{cutoff\_DIFF}(HZ) = \frac{1}{2\pi \cdot 2R_{CM} \cdot C_{DIFF}} \quad (eq. 5)$$

(2) Cutoff frequency for the differential filter.

The common mode filter cutoff frequency should be no greater than the Nyquist frequency ( $F_{SAMPLE} / 2$ ). Set the differential cutoff frequency to be one decade less than the common-mode cutoff frequency by increasing the differential capacitor ( $C_{DIFF}$ ) by a factor of 10 over  $C_{CM}$ . This will help to reduce errors caused by common mode filter component mismatch. Selecting the appropriate values for the anti-aliasing filter is important to maintain peak performance. Adding resistors to the signal path will introduce noise. Keeping  $R_{CM}$  as small as possible will mitigate additional noise and error. The thermal noise introduced by the filter resistors can be calculated by:

$$V_n \left( \frac{nV}{\sqrt{Hz}} \right) = \sqrt{4 \cdot k \cdot T \cdot R_{CM}} \quad (eq. 6)$$

(3) Noise introduced by series anti-aliasing filter.

Where  $k = 1.38E-23$  J/K (Boltzmann's constant) and  $T$  is the temperature in degree Kelvin.

Using smaller resistors and larger capacitors to achieve the desired cutoff frequency will help mitigate noise and charge injection. When choosing anti-aliasing filter components, ensure that the settling time is short enough for the input to be within 1/2 LSB of the desired value before the CSN goes low to begin the conversion.

### Power Supply Decoupling

Local ADC supply decoupling is essential for maintaining high power supply rejection ratio. For the NCD98010/1, the analog supply (VCC) is also the reference for the ADC. Any noise or drift greater than 1/2 LSB will affect the DNL and INL of the converter. Use local decoupling capacitors of

## NCD98010, NCD98011

1  $\mu\text{F}$ . All decoupling capacitors must connect directly to a low impedance ground plane in order to be effective. Short traces or vias are required to minimize additional series inductance. Ceramic capacitors are recommended based on their low ESR and ESL. X7R ceramic capacitors are recommended for applications involving a wide temperature range.

### Minimal Component Realization

For applications where minimizing board space trumps ADC performance, the NCD98010/1 connection diagram can be reduced as shown in Figure 19 below. The removal of the input buffering may be an option depending on the nature of the differential analog input source. Removing the anti-aliasing filter would come at the expense of reduced ENOB due to the digitization of aliased signals.

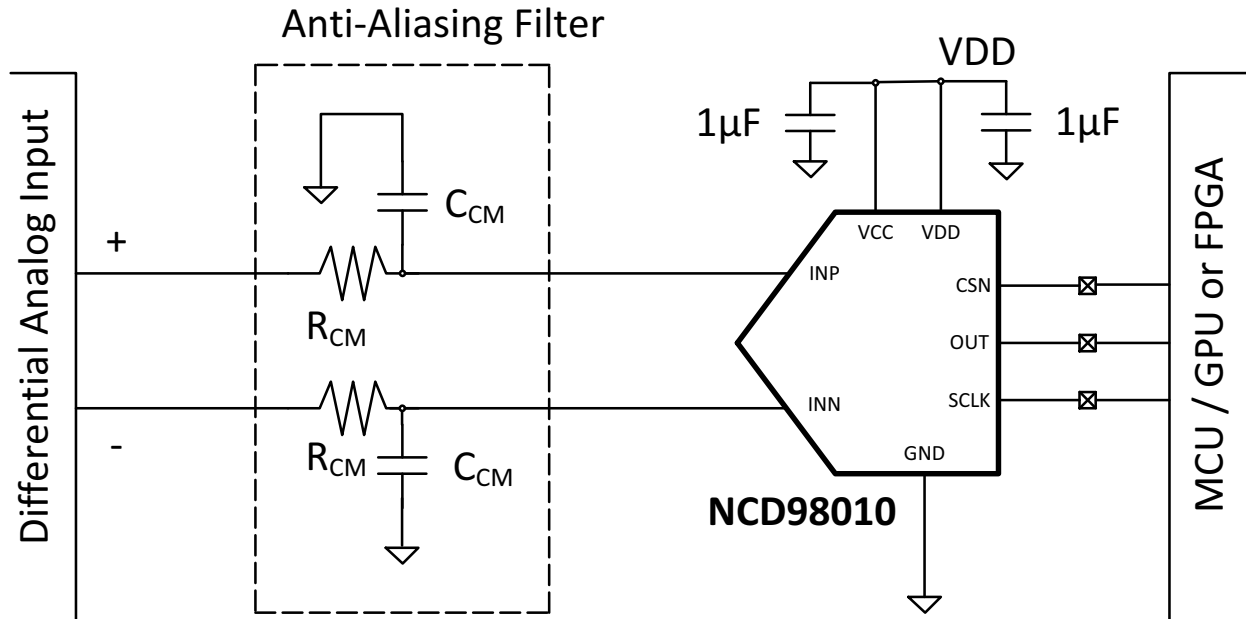


Figure 19. Reduced Component Connection Diagram

### Output Timing / Definition

Figure 20 below shows the NCD98010/1 output format. There is a 1 sample latency associated with the output data. The digital data for analog input sampled are clocked out of the ADC by SCLK one conversion later, as shown in the diagram below.

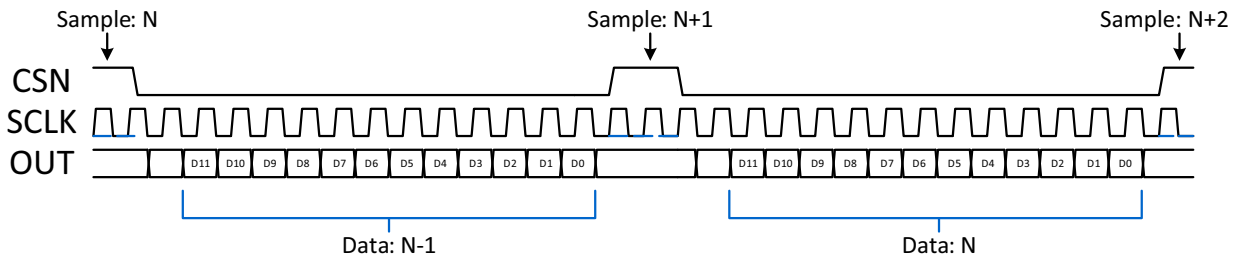


Figure 20. NCD98010/1 Output Format

### Layout Guidelines

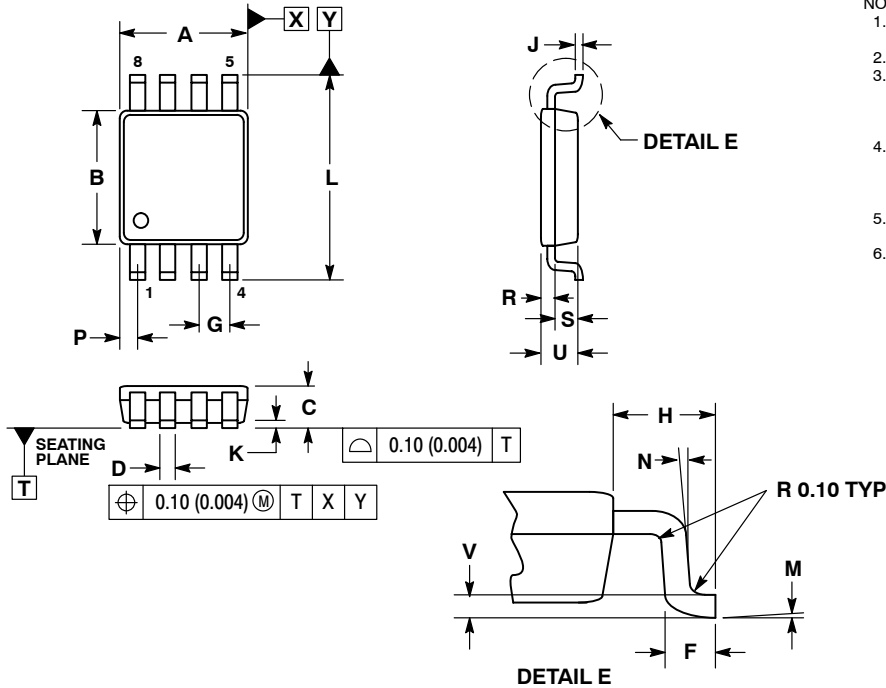
Ideal PCB layouts have a ground plane placed underneath the device and the PCB is partitioned into digital and analog sections supporting the analog inputs to the ADC on one side, and the digital interface on the other side. To avoid the coupling of digital noise into the analog partition, care must be taken not to cross digital signals with the analog input

signals. Keep the analog input signals and the VCC supply / reference signal away from noise digital signals. Recommended bypass capacitances should be placed as close as possible to the VCC and VDD pins, and the path to ground needs to be a low inductance low resistance local connection.

# NCD98010, NCD98011

## PACKAGE DIMENSIONS

US8  
CASE 493  
ISSUE D

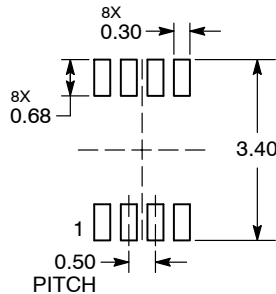


NOTES:

1. DIMENSIONING AND TOLERANCING PER ANSI Y14.5M, 1982.
2. CONTROLLING DIMENSION: MILLIMETERS.
3. DIMENSION A DOES NOT INCLUDE MOLD FLASH, PROTRUSION OR GATE BURR. MOLD FLASH, PROTRUSION AND GATE BURR SHALL NOT EXCEED 0.14MM (0.0055") PER SIDE.
4. DIMENSION B DOES NOT INCLUDE INTERLEAD FLASH OR PROTRUSION. INTERLEAD FLASH AND PROTRUSION SHALL NOT EXCEED 0.14MM (0.0055") PER SIDE.
5. LEAD FINISH IS SOLDER PLATING WITH THICKNESS OF 0.0076–0.0203MM (0.003–0.008").
6. ALL TOLERANCE UNLESS OTHERWISE SPECIFIED ±0.0508MM (0.0002").

DIM	MILLIMETERS		INCHES	
	MIN	MAX	MIN	MAX
A	1.90	2.10	0.075	0.083
B	2.20	2.40	0.087	0.094
C	0.60	0.90	0.024	0.035
D	0.17	0.25	0.007	0.010
F	0.20	0.35	0.008	0.014
G	0.50 BSC		0.020 BSC	
H	0.40 REF		0.016 REF	
J	0.10	0.18	0.004	0.007
K	0.00	0.10	0.000	0.004
L	3.00	3.20	0.118	0.128
M	0°	6°	0°	6°
N	0°	10°	0°	10°
P	0.23	0.34	0.010	0.013
R	0.23	0.33	0.009	0.013
S	0.37	0.47	0.015	0.019
U	0.60	0.80	0.024	0.031
V	0.12 BSC		0.005 BSC	

### RECOMMENDED SOLDERING FOOTPRINT\*

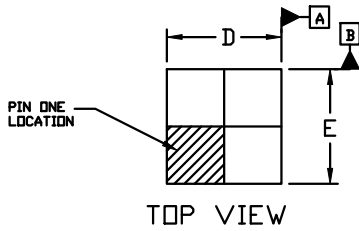


DIMENSIONS: MILLIMETERS

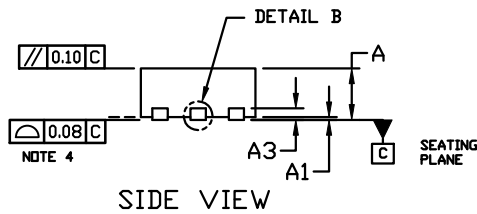
\*For additional information on our Pb-Free strategy and soldering details, please download the ON Semiconductor Soldering and Mounting Techniques Reference Manual, SOLDERRM/D.

**X2QFN8, 1.5x1.5, 0.5P**  
**CASE 722AM**  
**ISSUE O**

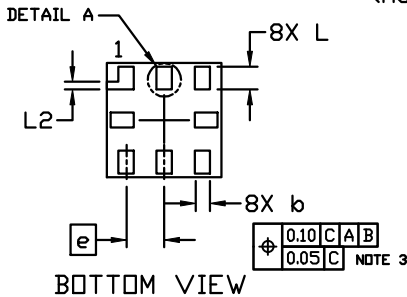
DATE 20 JUL 2018



TOP VIEW



SIDE VIEW



BOTTOM VIEW

**GENERIC MARKING DIAGRAM\***



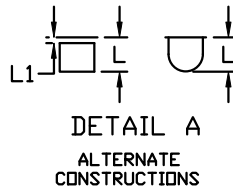
- X = Specific Device Code
- M = Date Code
- = Pb-Free Package

(Note: Microdot may be in either location)

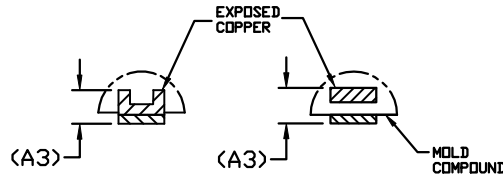
\*This information is generic. Please refer to device data sheet for actual part marking. Pb-Free indicator, "G" or microdot "▪", may or may not be present. Some products may not follow the Generic Marking.

NOTES:

1. DIMENSIONING AND TOLERANCING PER ASME Y14.5M, 1994.
2. CONTROLLING DIMENSION: MILLIMETERS
3. DIMENSION b APPLIES TO THE PLATED TERMINALS AND IS MEASURED BETWEEN 0.15 AND 0.20 FROM THE TERMINAL TIP.
4. COPLANARITY APPLIES TO THE EXPOSED PAD AS WELL AS THE TERMINALS.

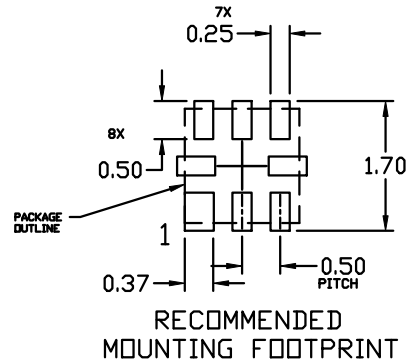


DETAIL A  
ALTERNATE CONSTRUCTIONS



DETAIL B  
ALTERNATE CONSTRUCTIONS

DIM	MILLIMETERS		
	MIN.	NDM.	MAX.
A	0.35	0.38	0.40
A1	0.00	-	0.05
A3	0.127 REF		
b	0.15	0.20	0.25
D	1.45	1.50	1.55
E	1.45	1.50	1.55
e	0.50 BSC		
L	0.25	0.30	0.35
L1	-	-	0.10
L2	0.15 REF		



RECOMMENDED MOUNTING FOOTPRINT

<b>DOCUMENT NUMBER:</b>	<b>98AON94548G</b>	Electronic versions are uncontrolled except when accessed directly from the Document Repository. Printed versions are uncontrolled except when stamped "CONTROLLED COPY" in red.
<b>DESCRIPTION:</b>	<b>X2QFN8, 1.5x1.5, 0.5P</b>	<b>PAGE 1 OF 1</b>

ON Semiconductor and ON are trademarks of Semiconductor Components Industries, LLC dba ON Semiconductor or its subsidiaries in the United States and/or other countries. ON Semiconductor reserves the right to make changes without further notice to any products herein. ON Semiconductor makes no warranty, representation or guarantee regarding the suitability of its products for any particular purpose, nor does ON Semiconductor assume any liability arising out of the application or use of any product or circuit, and specifically disclaims any and all liability, including without limitation special, consequential or incidental damages. ON Semiconductor does not convey any license under its patent rights nor the rights of others.

**onsemi**, **Onsemi**, and other names, marks, and brands are registered and/or common law trademarks of Semiconductor Components Industries, LLC dba "**onsemi**" or its affiliates and/or subsidiaries in the United States and/or other countries. **onsemi** owns the rights to a number of patents, trademarks, copyrights, trade secrets, and other intellectual property. A listing of **onsemi**'s product/patent coverage may be accessed at [www.onsemi.com/site/pdf/Patent-Marking.pdf](http://www.onsemi.com/site/pdf/Patent-Marking.pdf). **onsemi** reserves the right to make changes at any time to any products or information herein, without notice. The information herein is provided "as-is" and **onsemi** makes no warranty, representation or guarantee regarding the accuracy of the information, product features, availability, functionality, or suitability of its products for any particular purpose, nor does **onsemi** assume any liability arising out of the application or use of any product or circuit, and specifically disclaims any and all liability, including without limitation special, consequential or incidental damages. Buyer is responsible for its products and applications using **onsemi** products, including compliance with all laws, regulations and safety requirements or standards, regardless of any support or applications information provided by **onsemi**. "Typical" parameters which may be provided in **onsemi** data sheets and/or specifications can and do vary in different applications and actual performance may vary over time. All operating parameters, including "Typicals" must be validated for each customer application by customer's technical experts. **onsemi** does not convey any license under any of its intellectual property rights nor the rights of others. **onsemi** products are not designed, intended, or authorized for use as a critical component in life support systems or any FDA Class 3 medical devices or medical devices with a same or similar classification in a foreign jurisdiction or any devices intended for implantation in the human body. Should Buyer purchase or use **onsemi** products for any such unintended or unauthorized application, Buyer shall indemnify and hold **onsemi** and its officers, employees, subsidiaries, affiliates, and distributors harmless against all claims, costs, damages, and expenses, and reasonable attorney fees arising out of, directly or indirectly, any claim of personal injury or death associated with such unintended or unauthorized use, even if such claim alleges that **onsemi** was negligent regarding the design or manufacture of the part. **onsemi** is an Equal Opportunity/Affirmative Action Employer. This literature is subject to all applicable copyright laws and is not for resale in any manner.

## PUBLICATION ORDERING INFORMATION

### LITERATURE FULFILLMENT:

Email Requests to: [orderlit@onsemi.com](mailto:orderlit@onsemi.com)

**onsemi Website:** [www.onsemi.com](http://www.onsemi.com)

### TECHNICAL SUPPORT

**North American Technical Support:**  
Voice Mail: 1 800-282-9855 Toll Free USA/Canada  
Phone: 011 421 33 790 2910

**Europe, Middle East and Africa Technical Support:**

Phone: 00421 33 790 2910

For additional information, please contact your local Sales Representative