

Silicon Carbide Schottky Diode, 650 V, 20 A

PCFFS2065AF



ON Semiconductor®

www.onsemi.com

Description

Silicon Carbide (SiC) Schottky Diodes use a completely new technology that provides superior switching performance and higher reliability compared to Silicon. No reverse recovery current, temperature dependent switching characteristics, and excellent thermal performance sets Silicon Carbide as the next generation of power semiconductor. System benefits include highest efficiency, faster operation frequency, increased power density, reduced EMI, and reduced system size and cost.

Features

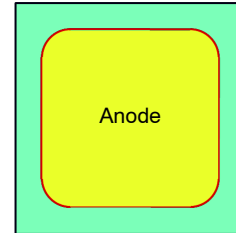
- Max Junction Temperature 175°C
- Avalanche Rated 95 mJ
- High Surge Current Capacity
- Positive Temperature Coefficient
- Ease of Paralleling
- No Reverse Recovery/No Forward Recovery

Applications

- General Purpose
- SMPS, Solar Inverter, UPS
- Power Switching Circuits

For Additional Product Information and Electrical Characteristics on Package

Refer to [FFSP2065A](#) product datasheet.



Die Information

- Wafer Diameter: 6 inch
- Die Size: 2,240 × 2,240 μm (include Scribe Lane)
- Metallization:
 - ♦ Top: Ti/TiN/AICu 4 μm
 - ♦ Back: Ti/NiV/Ag
- Die Thickness: Typ. 200 μm
- Bonding Pad Size:
 - ♦ Anode: 1,880 × 1,880 μm
- Recommended Wire Bond*
 - ♦ Anode: 15mil × 2

*Based on TO-220 package of ON Semiconductor.

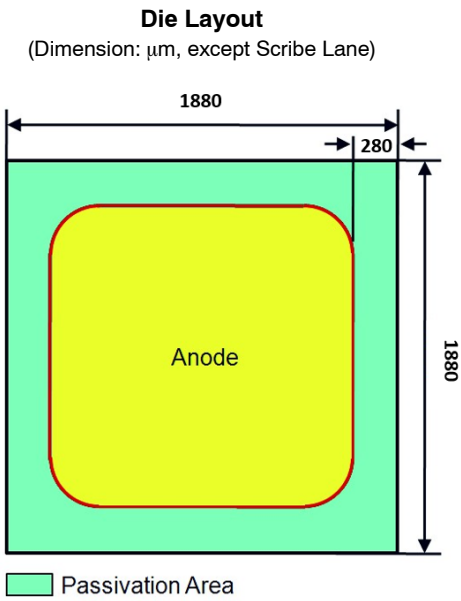
ELECTRICAL CHARACTERISTICS ON WAFER (T_C = 25°C unless otherwise noted) (Note 1)

Symbol	Parameter	Test Conditions	Min	Typ	Max	Unit
V _R	Reverse Blocking Voltage	I _R = 200 μA, T _C = 25°C	650	–	–	V
V _F	Forward Voltage	I _F = 20 A, T _C = 25°C	1.20	–	1.75	V
I _R	Reverse Current	V _R = 650 V, T _C = 25°C	–	–	200	μA

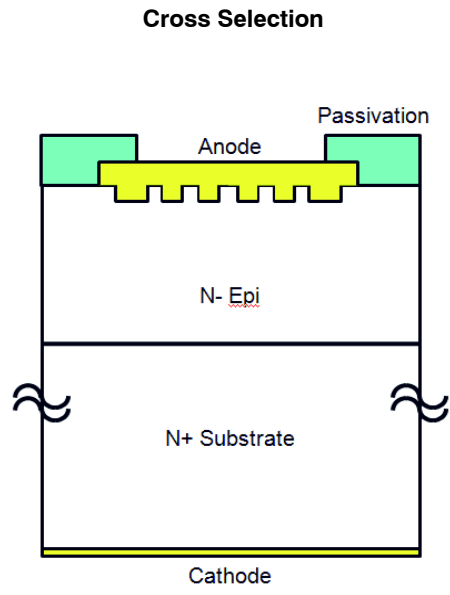
Product parametric performance is indicated in the Electrical Characteristics for the listed test conditions, unless otherwise noted. Product performance may not be indicated by the Electrical Characteristics if operated under different conditions.

1. Tested 100% on wafer

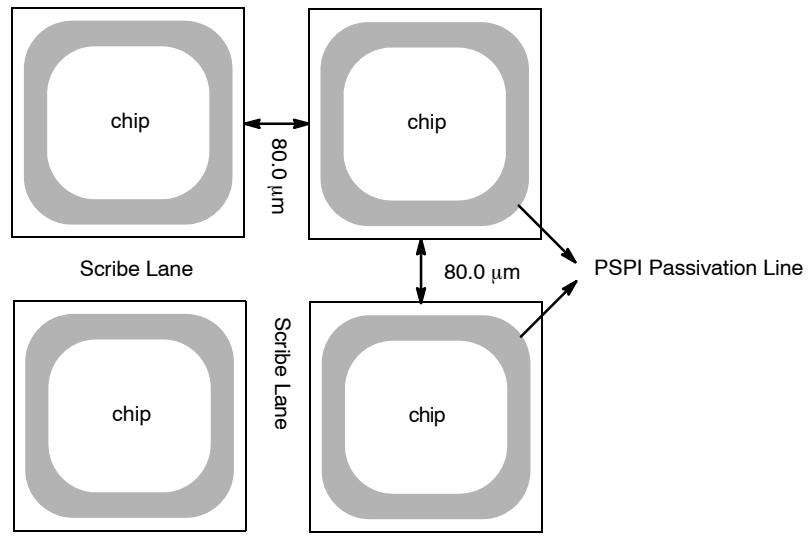
PCFFS2065AF



- Passivation Information**
- Passivation Material: Polyimide (PSPI)
 - Passivation Type: Local Passivation
 - Passivation Thickness: 90KA



The Configuration of Chips
(Based on 6 inch Wafer)



Sawn-on-film frame packing based on tested wafer

onsemi, **Onsemi**, and other names, marks, and brands are registered and/or common law trademarks of Semiconductor Components Industries, LLC dba "**onsemi**" or its affiliates and/or subsidiaries in the United States and/or other countries. **onsemi** owns the rights to a number of patents, trademarks, copyrights, trade secrets, and other intellectual property. A listing of **onsemi**'s product/patent coverage may be accessed at www.onsemi.com/site/pdf/Patent-Marking.pdf. **onsemi** reserves the right to make changes at any time to any products or information herein, without notice. The information herein is provided "as-is" and **onsemi** makes no warranty, representation or guarantee regarding the accuracy of the information, product features, availability, functionality, or suitability of its products for any particular purpose, nor does **onsemi** assume any liability arising out of the application or use of any product or circuit, and specifically disclaims any and all liability, including without limitation special, consequential or incidental damages. Buyer is responsible for its products and applications using **onsemi** products, including compliance with all laws, regulations and safety requirements or standards, regardless of any support or applications information provided by **onsemi**. "Typical" parameters which may be provided in **onsemi** data sheets and/or specifications can and do vary in different applications and actual performance may vary over time. All operating parameters, including "Typicals" must be validated for each customer application by customer's technical experts. **onsemi** does not convey any license under any of its intellectual property rights nor the rights of others. **onsemi** products are not designed, intended, or authorized for use as a critical component in life support systems or any FDA Class 3 medical devices or medical devices with a same or similar classification in a foreign jurisdiction or any devices intended for implantation in the human body. Should Buyer purchase or use **onsemi** products for any such unintended or unauthorized application, Buyer shall indemnify and hold **onsemi** and its officers, employees, subsidiaries, affiliates, and distributors harmless against all claims, costs, damages, and expenses, and reasonable attorney fees arising out of, directly or indirectly, any claim of personal injury or death associated with such unintended or unauthorized use, even if such claim alleges that **onsemi** was negligent regarding the design or manufacture of the part. **onsemi** is an Equal Opportunity/Affirmative Action Employer. This literature is subject to all applicable copyright laws and is not for resale in any manner.

PUBLICATION ORDERING INFORMATION

LITERATURE FULFILLMENT:

Email Requests to: orderlit@onsemi.com

onsemi Website: www.onsemi.com

TECHNICAL SUPPORT

North American Technical Support:
Voice Mail: 1 800-282-9855 Toll Free USA/Canada
Phone: 011 421 33 790 2910

Europe, Middle East and Africa Technical Support:

Phone: 00421 33 790 2910

For additional information, please contact your local Sales Representative