

# TMPIM 35 A CIB/CI Module

## Product Preview

### NXH35C120L2C2SG/S1G

The NXH35C120L2C2SG is a transfer-molded power module containing a converter-inverter-brake circuit consisting of six 35 A, 1600 V rectifiers, six 35 A, 1200 V IGBTs with inverse diodes, one 35 A, 1200 V brake IGBT with brake diode and an NTC thermistor.

The NXH35C120L2C2S1G is a transfer-molded power module containing a converter-inverter circuit consisting of six 35 A, 1600 V rectifiers, six 35 A, 1200 V IGBTs with inverse diodes, and an NTC thermistor.

#### Features

- Low Thermal Resistance
- 6 mm Clearance Distance from Pin to Heatsink
- Compact 73 mm × 40 mm × 8 mm Package
- Solderable Pins
- Thermistor
- These Devices are Pb-Free, Halogen Free/BFR Free and are RoHS Compliant

#### Typical Applications

- Industrial Motor Drives
- Servo Drives

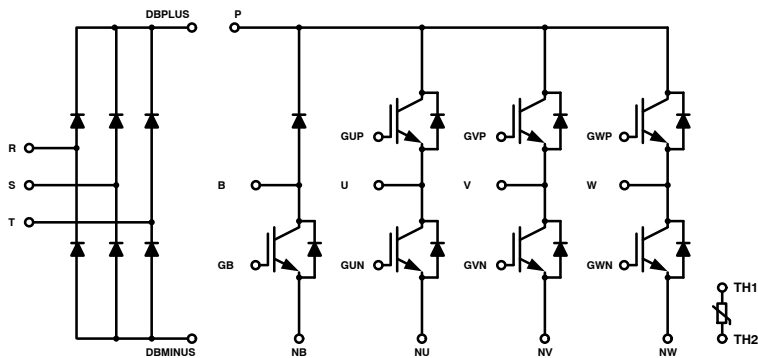


Figure 1. NXH35C120L2C2SG Schematic Diagram

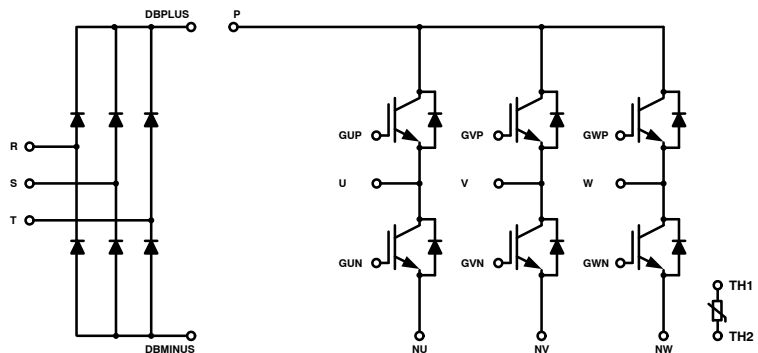
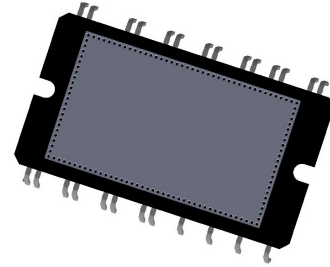


Figure 2. NXH35C120L2C2S1G Schematic Diagram



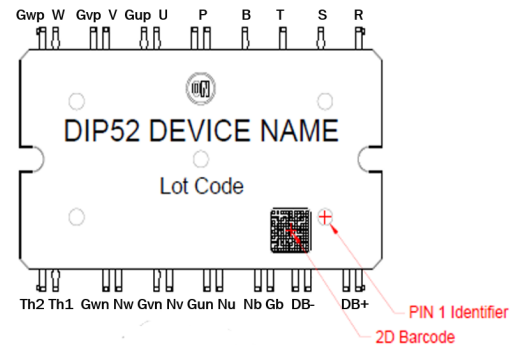
ON Semiconductor®

[www.onsemi.com](http://www.onsemi.com)



TMPIM DIP52  
CASE 181AD

#### MARKING DIAGRAM



#### ORDERING INFORMATION

Device	Package	Shipping
NXH35C120L2C2SG	TMPIM DIP52 (Pb-Free)	6 Units / Tube
NXH35C120L2C2S1G	TMPIM DIP52 (Pb-Free)	6 Units / Tube

This document contains information on a product under development. ON Semiconductor reserves the right to change or discontinue this product without notice.

# NXH35C120L2C2SG/S1G

## MAXIMUM RATINGS (Note 1)

Rating	Symbol	Value	Unit
--------	--------	-------	------

### IGBT

Collector–Emitter Voltage	$V_{CES}$	1200	V
Gate–Emitter Voltage	$V_{GE}$	$\pm 20$	V
Continuous Collector Current @ $T_c = 80^\circ\text{C}$ ( $T_{VJmax} = 175^\circ\text{C}$ )	$I_C$	35	A
Pulsed Collector Current	$I_{Cpulse}$	105	A

### DIODE

Peak Repetitive Reverse Voltage	$V_{RRM}$	1200	V
Continuous Forward Current @ $T_c = 80^\circ\text{C}$ ( $T_{VJmax} = 175^\circ\text{C}$ )	$I_F$	35	A
Repetitive Peak Forward Current ( $T_J = 175^\circ\text{C}$ )	$I_{FRM}$	105	A
$I^2t$ Value (60 Hz single half–sine wave)	$I^2t$	46	$A^2t$

### RECTIFIER DIODE

Peak Repetitive Reverse Voltage	$V_{RRM}$	1600	V
Continuous Forward Current @ $T_c = 80^\circ\text{C}$ ( $T_{VJmax} = 150^\circ\text{C}$ )	$I_F$	35	A
Repetitive Peak Forward Current ( $T_J = 150^\circ\text{C}$ )	$I_{FRM}$	105	A
$I^2t$ Value (60 Hz single half–sine wave) @ $25^\circ\text{C}$ (60 Hz single half–sine wave) @ $150^\circ\text{C}$	$I^2t$	1126 510	$A^2t$
Surge Current (10 ms sin180°) @ $25^\circ\text{C}$	$I_{FSM}$	520	A

### THERMAL PROPERTIES

Storage Temperature Range	$T_{stg}$	–40 to +125	$^\circ\text{C}$
---------------------------	-----------	-------------	------------------

### INSULATION PROPERTIES

Isolation Test Voltage, $t = 1$ s, 50 Hz	$V_{is}$	3000	$V_{RMS}$
Internal Isolation		Al2O3	
Creepage Distance		6.0	mm
Clearance Distance		6.0	mm
Comperative Tracking Index	CTI	> 400	

Stresses exceeding those listed in the Maximum Ratings table may damage the device. If any of these limits are exceeded, device functionality should not be assumed, damage may occur and reliability may be affected.

1. Refer to ELECTRICAL CHARACTERISTICS, RECOMMENDED OPERATING RANGES and/or APPLICATION INFORMATION for Safe Operating parameters.

# NXH35C120L2C2SG/S1G

## ELECTRICAL CHARACTERISTICS (T<sub>J</sub> = 25°C unless otherwise specified)

Parameter	Test Conditions	Symbol	Min	Typ	Max	Unit	
<b>IGBT CHARACTERISTICS</b>							
Collector–Emitter Cutoff Current	V <sub>GE</sub> = 0 V, V <sub>CE</sub> = 1200 V	I <sub>CES</sub>	–	–	250	μA	
Collector–Emitter Saturation Voltage	V <sub>GE</sub> = 15 V, I <sub>C</sub> = 35 A, T <sub>J</sub> = 25°C	V <sub>CE(sat)</sub>	–	1.8	2.4	V	
	V <sub>GE</sub> = 15 V, I <sub>C</sub> = 35 A, T <sub>J</sub> = 150°C		–	1.9	–		
Gate–Emitter Threshold Voltage	V <sub>GE</sub> = V <sub>CE</sub> , I <sub>C</sub> = 4.25 mA	V <sub>GE(TH)</sub>	4.8	6	6.8	V	
Gate Leakage Current	V <sub>GE</sub> = 20 V, V <sub>CE</sub> = 0 V	I <sub>GES</sub>	–	–	400	nA	
Turn-on Delay Time	T <sub>J</sub> = 25°C V <sub>CE</sub> = 600 V, I <sub>C</sub> = 35 A V <sub>GE</sub> = ±15 V, R <sub>G</sub> = 15 Ω	t <sub>d(on)</sub>	–	104	–	ns	
Rise Time		t <sub>r</sub>	–	64	–		
Turn-off Delay Time		t <sub>d(off)</sub>	–	277	–		
Fall Time		t <sub>f</sub>	–	53	–		
Turn-on Switching Loss per Pulse		E <sub>on</sub>	–	2900	–		μJ
Turn-off Switching Loss per Pulse		E <sub>off</sub>	–	1200	–		
Turn-on Delay Time	T <sub>J</sub> = 150°C V <sub>CE</sub> = 600 V, I <sub>C</sub> = 35 A V <sub>GE</sub> = ±15 V, R <sub>G</sub> = 15 Ω	t <sub>d(on)</sub>	–	168	–	ns	
Rise Time		t <sub>r</sub>	–	72	–		
Turn-off Delay Time		t <sub>d(off)</sub>	–	320	–		
Fall Time		t <sub>f</sub>	–	165	–		
Turn-on Switching Loss per Pulse		E <sub>on</sub>	–	4030	–		μJ
Turn-off Switching Loss per Pulse		E <sub>off</sub>	–	2200	–		
Input Capacitance	V <sub>CE</sub> = 20 V, V <sub>GE</sub> = 0 V, f = 100 kHz	C <sub>ies</sub>	–	8333	–	pF	
Output Capacitance		C <sub>oes</sub>	–	298	–		
Reverse Transfer Capacitance		C <sub>res</sub>	–	175	–		
Total Gate Charge	V <sub>CE</sub> = 600 V, I <sub>C</sub> = 35 A, V <sub>GE</sub> = 0 V ~ +15 V	Q <sub>g</sub>	–	360	–	nC	
Temperature under Switching Conditions		T <sub>vj op</sub>	–40	–	150	°C	
Thermal Resistance – Chip–to–Case		R <sub>thJC</sub>	–	0.57	–	°C/W	
Thermal Resistance – Chip–to–Heatsink	Thermal grease, Thickness ≈ 3 mil, λ = 2.8 W/mK	R <sub>thJH</sub>	–	0.97	–	°C/W	

## DIODE CHARACTERISTICS

Brake Diode Reverse Leakage Current	V <sub>R</sub> = 1200 V	I <sub>R</sub>	–	–	200	μA
Diode Forward Voltage	I <sub>F</sub> = 35 A, T <sub>J</sub> = 25°C	V <sub>F</sub>	–	2.2	2.7	V
	I <sub>F</sub> = 35 A, T <sub>J</sub> = 150°C		–	2	–	
Reverse Recovery Time	T <sub>J</sub> = 25°C V <sub>CE</sub> = 600 V, I <sub>C</sub> = 35 A V <sub>GE</sub> = ±15 V, R <sub>G</sub> = 15 Ω	t <sub>rr</sub>	–	224	–	ns
Reverse Recovery Charge		Q <sub>rr</sub>	–	1.51	–	μC
Peak Reverse Recovery Current		I <sub>RPM</sub>	–	18	–	A
Reverse Recovery Energy		E <sub>rr</sub>	–	410	–	μJ
Reverse Recovery Time	T <sub>J</sub> = 150°C V <sub>CE</sub> = 600 V, I <sub>C</sub> = 35 A V <sub>GE</sub> = ±15 V, R <sub>G</sub> = 15 Ω	t <sub>rr</sub>	–	532	–	ns
Reverse Recovery Charge		Q <sub>rr</sub>	–	5.36	–	μC
Peak Reverse Recovery Current		I <sub>RPM</sub>	–	30	–	A
Reverse Recovery Energy		E <sub>rr</sub>	–	1983	–	μJ
Temperature under Switching Conditions		T <sub>vj op</sub>	–40	–	150	°C
Thermal Resistance – Chip–to–Case		R <sub>thJC</sub>	–	0.94	–	°C/W
Thermal Resistance – Chip–to–Heatsink	Thermal grease, Thickness ≈ 3 mil, λ = 2.8 W/mK	R <sub>thJH</sub>	–	1.5	–	°C/W

# NXH35C120L2C2SG/S1G

## ELECTRICAL CHARACTERISTICS (T<sub>J</sub> = 25°C unless otherwise specified) (continued)

Parameter	Test Conditions	Symbol	Min	Typ	Max	Unit
-----------	-----------------	--------	-----	-----	-----	------

### RECTIFIER DIODE CHARACTERISTICS

Rectifier Reverse Leakage Current	V <sub>R</sub> = 1600 V	I <sub>R</sub>	–	–	200	μA
Rectifier Forward Voltage	I <sub>F</sub> = 35 A, T <sub>J</sub> = 25°C	V <sub>F</sub>	–	1.1	1.5	V
	I <sub>F</sub> = 35 A, T <sub>J</sub> = 150°C		–	1	–	
Temperature under Switching Conditions		T <sub>vj op</sub>	–40	–	150	°C
Thermal Resistance – Chip-to-Case		R <sub>thJC</sub>	–	0.55	–	°C/W
Thermal Resistance – Chip-to-Heatsink	Thermal grease, Thickness ≈ 3 mil, λ = 2.8 W/mK	R <sub>thJH</sub>	–	1.28	–	°C/W

### THERMISTOR CHARACTERISTICS

Nominal Resistance	T = 25°C	R <sub>25</sub>	–	5	–	kΩ
Nominal Resistance	T = 100°C	R <sub>100</sub>	–	493.3	–	Ω
Deviation of R25		ΔR/R	–5	–	5	%
Power Dissipation		P <sub>D</sub>	–	20	–	mW
Power Dissipation Constant			–	1.4	–	mW/K
B-value	B(25/50), tolerance ±2%		–	3375	–	K
B-value	B(25/100), tolerance ±2%		–	3433	–	K

Product parametric performance is indicated in the Electrical Characteristics for the listed test conditions, unless otherwise noted. Product performance may not be indicated by the Electrical Characteristics if operated under different conditions.

TYPICAL CHARACTERISTICS – INVERTER/BRAKE IGBT & DIODE

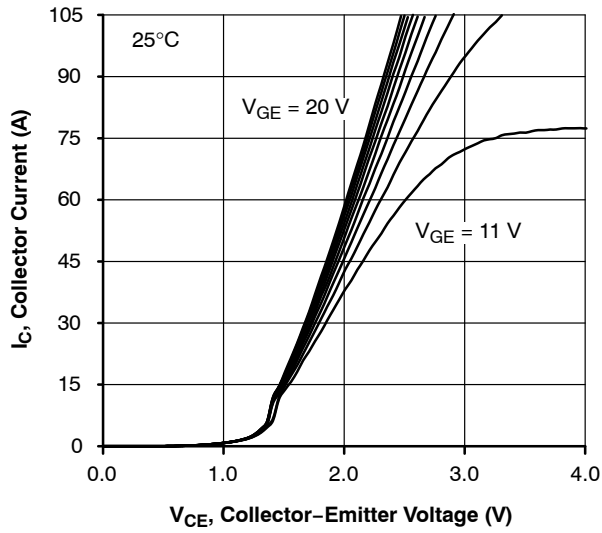


Figure 3. IGBT Typical Output Characteristic

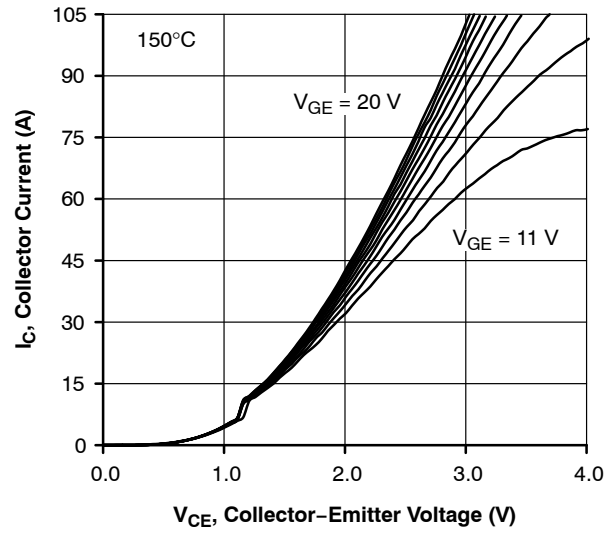


Figure 4. IGBT Typical Output Characteristic

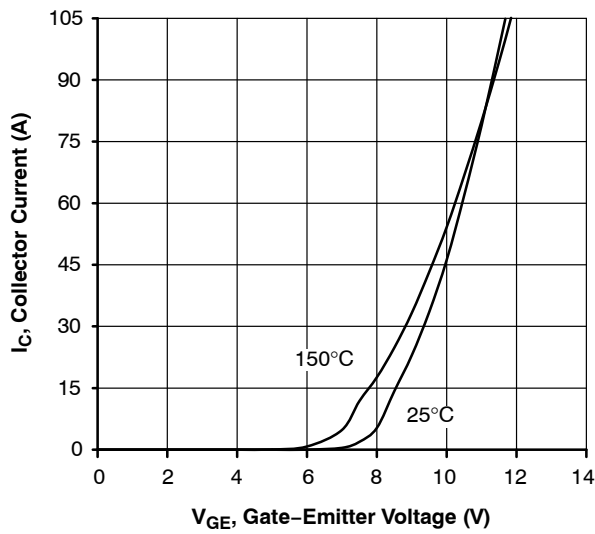


Figure 5. IGBT Typical Transfer Characteristic

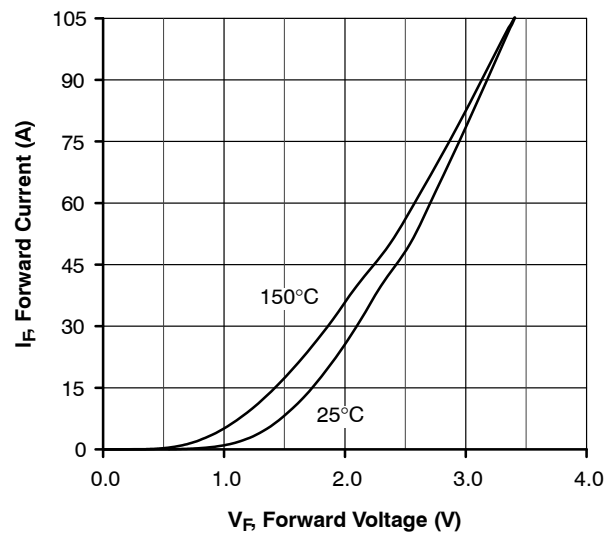


Figure 6. Diode Typical Forward Characteristic

# NXH35C120L2C2SG/S1G

## TYPICAL CHARACTERISTICS – INVERTER/BRAKE IGBT & DIODE (Continued)

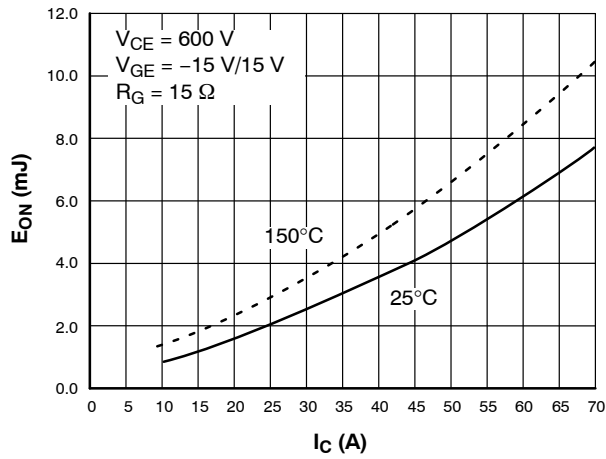


Figure 7. Typical Turn On Loss vs  $I_C$

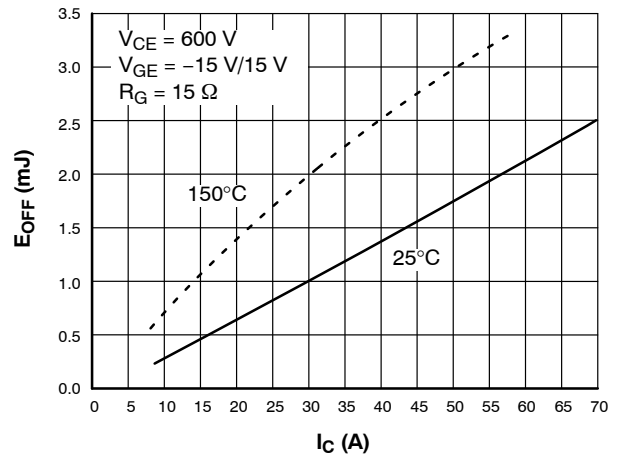


Figure 8. Typical Turn Off Loss vs  $I_C$

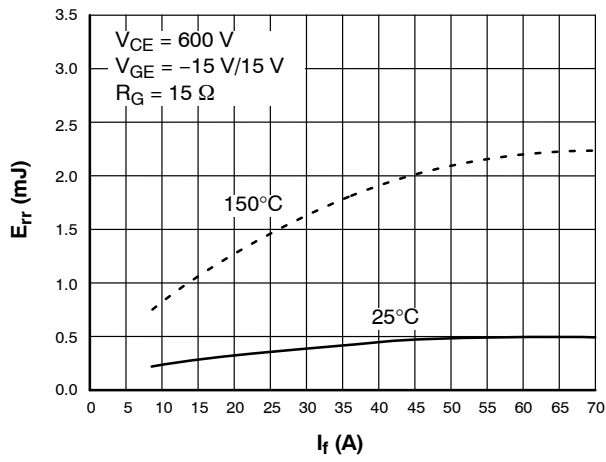


Figure 9. Typical Reverse Recovery Energy vs  $I_C$

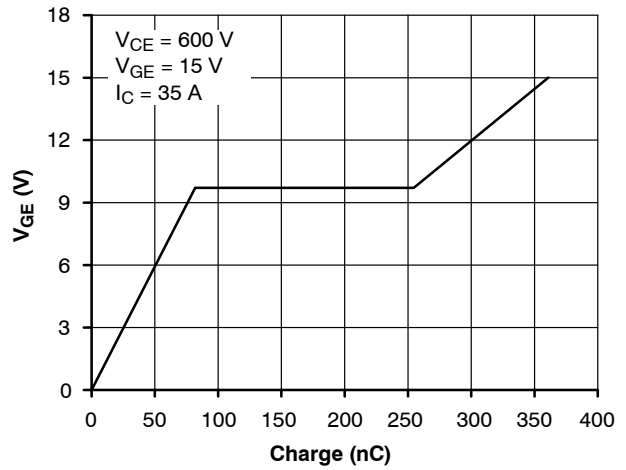


Figure 10. Gate Voltage vs. Gate Charge

# NXH35C120L2C2SG/S1G

## TYPICAL CHARACTERISTICS – INVERTER/BRAKE IGBT & DIODE (Continued)

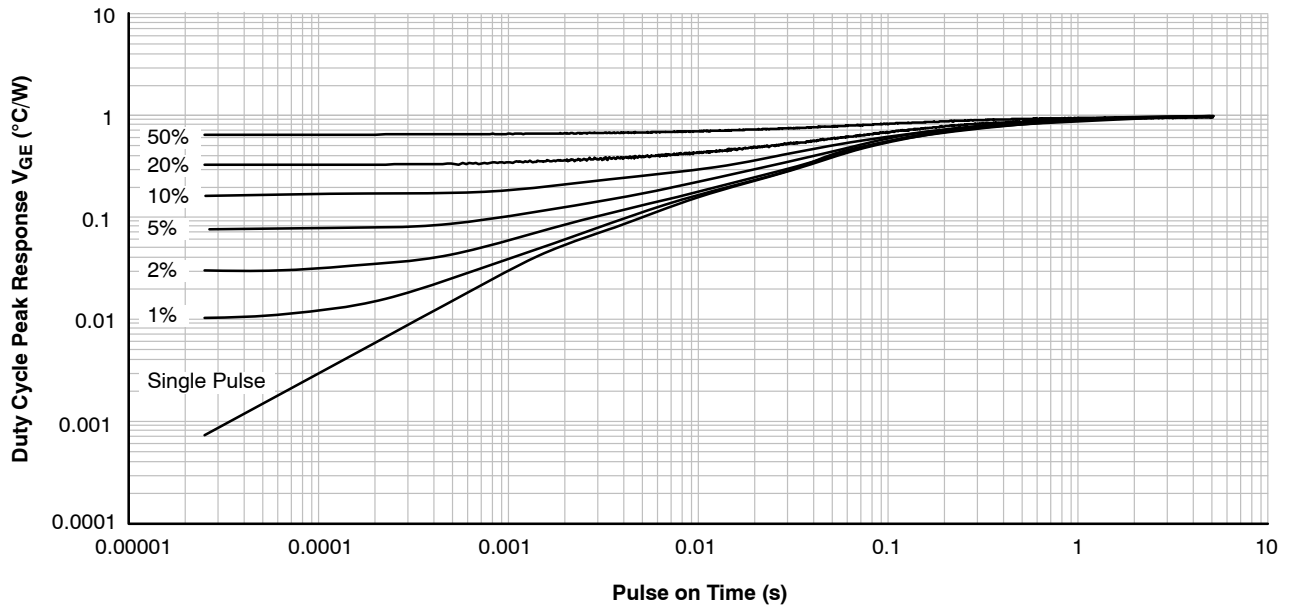


Figure 11. IGBT Junction-to-Heatsink Transient Thermal Impedance

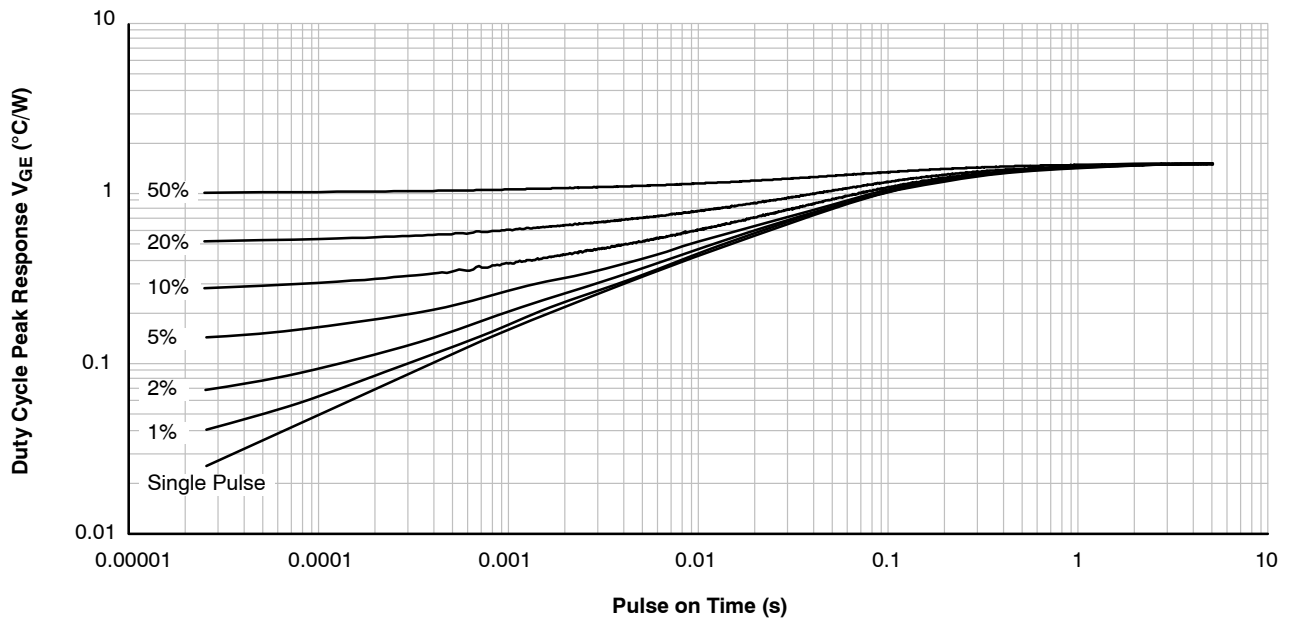


Figure 12. Diode Junction-to-Heatsink Transient Thermal Impedance

# NXH35C120L2C2SG/S1G

## TYPICAL CHARACTERISTICS – RECTIFIER

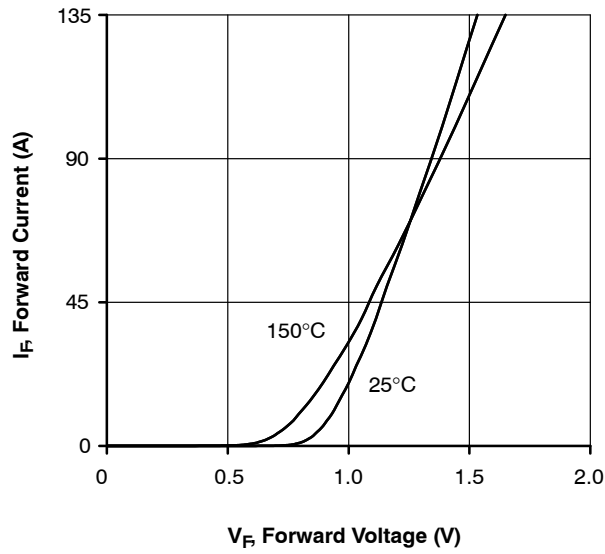


Figure 13. Rectifier Typical Forward Characteristic

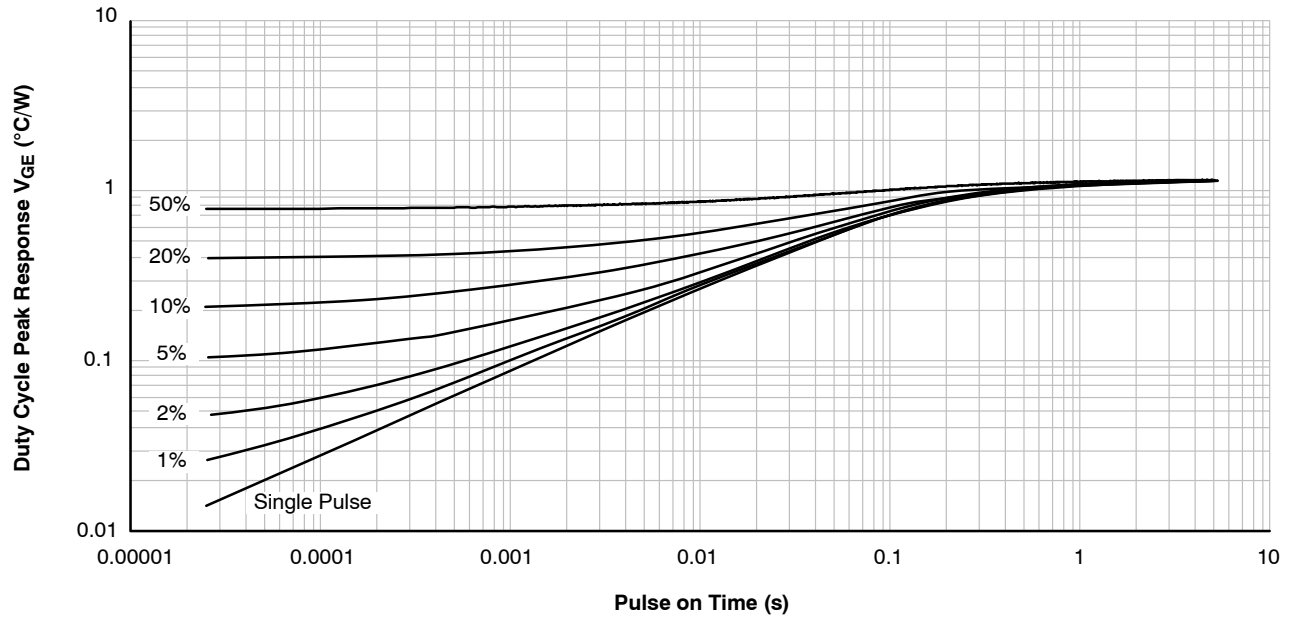


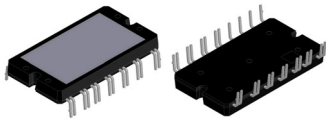
Figure 14. Rectifier Junction-to-Heatsink Transient Thermal Impedance



# MECHANICAL CASE OUTLINE

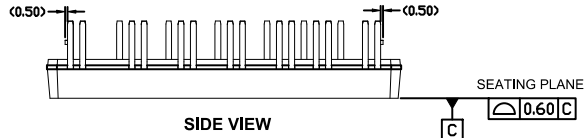
## PACKAGE DIMENSIONS

ON Semiconductor®



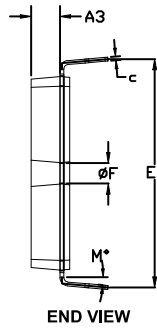
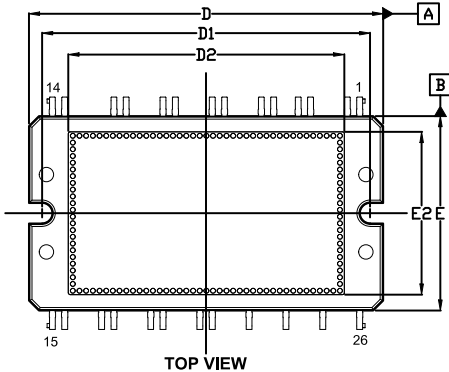
DIP26 67.8x40  
CASE 181AD  
ISSUE B

DATE 05 AUG 2021

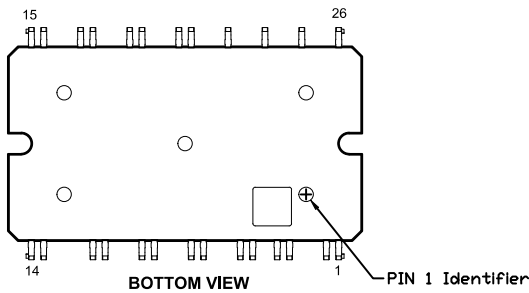
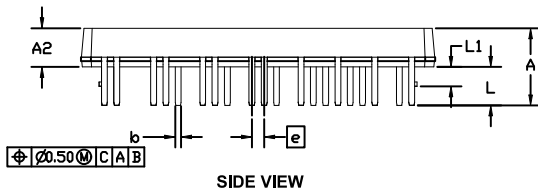


**NOTES:**

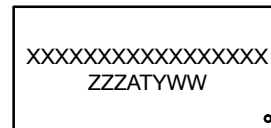
1. Dimensioning and tolerancing as per ASME Y14.5M, 2009
2. Controlling Dimension: Millimeters
3. Dimensions are exclusive of Burrs, Mold Flash, and Tiebar extrusions
4. Dimensions "b" and "c" apply to plated leads
5. Position of the leads is determine at the root of the lead where it exits the package body



DIM	MILLIMETERS		
	MIN	NOM	MAX
A	15.50	16.00	16.50
A2	7.80	8.00	8.20
A3	6.00 REF		
b	1.10	1.20	1.30
c	0.70	0.80	0.90
D	72.70	73.20	73.70
D1	67.30	67.80	68.30
D2	57.30 REF		
E	39.70	40.20	40.70
E1	46.70	47.20	47.70
E2	33.87 REF		
e	2.54 BSC		
F	4.00	4.20	4.40
L	8.00 REF		
L1	3.50	4.00	4.50
M	4°	5°	6°



**GENERIC MARKING DIAGRAM\***



XXX = Specific Device Code  
ZZZ = Assembly Lot Code  
AT = Assembly & Test Location  
Y = Year  
WW = Work Week

\*This information is generic. Please refer to device data sheet for actual part marking. Pb-Free indicator, "G" or microdot "▪", may or may not be present. Some products may not follow the Generic Marking.

<b>DOCUMENT NUMBER:</b>	<b>98AON09519H</b>	Electronic versions are uncontrolled except when accessed directly from the Document Repository. Printed versions are uncontrolled except when stamped "CONTROLLED COPY" in red.
<b>DESCRIPTION:</b>	<b>DIP26 67.8x40</b>	<b>PAGE 1 OF 1</b>

ON Semiconductor and ON are trademarks of Semiconductor Components Industries, LLC dba ON Semiconductor or its subsidiaries in the United States and/or other countries. ON Semiconductor reserves the right to make changes without further notice to any products herein. ON Semiconductor makes no warranty, representation or guarantee regarding the suitability of its products for any particular purpose, nor does ON Semiconductor assume any liability arising out of the application or use of any product or circuit, and specifically disclaims any and all liability, including without limitation special, consequential or incidental damages. ON Semiconductor does not convey any license under its patent rights nor the rights of others.

**onsemi**, **Onsemi**, and other names, marks, and brands are registered and/or common law trademarks of Semiconductor Components Industries, LLC dba "**onsemi**" or its affiliates and/or subsidiaries in the United States and/or other countries. **onsemi** owns the rights to a number of patents, trademarks, copyrights, trade secrets, and other intellectual property. A listing of **onsemi**'s product/patent coverage may be accessed at [www.onsemi.com/site/pdf/Patent-Marking.pdf](http://www.onsemi.com/site/pdf/Patent-Marking.pdf). **onsemi** reserves the right to make changes at any time to any products or information herein, without notice. The information herein is provided "as-is" and **onsemi** makes no warranty, representation or guarantee regarding the accuracy of the information, product features, availability, functionality, or suitability of its products for any particular purpose, nor does **onsemi** assume any liability arising out of the application or use of any product or circuit, and specifically disclaims any and all liability, including without limitation special, consequential or incidental damages. Buyer is responsible for its products and applications using **onsemi** products, including compliance with all laws, regulations and safety requirements or standards, regardless of any support or applications information provided by **onsemi**. "Typical" parameters which may be provided in **onsemi** data sheets and/or specifications can and do vary in different applications and actual performance may vary over time. All operating parameters, including "Typicals" must be validated for each customer application by customer's technical experts. **onsemi** does not convey any license under any of its intellectual property rights nor the rights of others. **onsemi** products are not designed, intended, or authorized for use as a critical component in life support systems or any FDA Class 3 medical devices or medical devices with a same or similar classification in a foreign jurisdiction or any devices intended for implantation in the human body. Should Buyer purchase or use **onsemi** products for any such unintended or unauthorized application, Buyer shall indemnify and hold **onsemi** and its officers, employees, subsidiaries, affiliates, and distributors harmless against all claims, costs, damages, and expenses, and reasonable attorney fees arising out of, directly or indirectly, any claim of personal injury or death associated with such unintended or unauthorized use, even if such claim alleges that **onsemi** was negligent regarding the design or manufacture of the part. **onsemi** is an Equal Opportunity/Affirmative Action Employer. This literature is subject to all applicable copyright laws and is not for resale in any manner.

## PUBLICATION ORDERING INFORMATION

### LITERATURE FULFILLMENT:

Email Requests to: [orderlit@onsemi.com](mailto:orderlit@onsemi.com)

**onsemi Website:** [www.onsemi.com](http://www.onsemi.com)

### TECHNICAL SUPPORT

**North American Technical Support:**

Voice Mail: 1 800-282-9855 Toll Free USA/Canada

Phone: 011 421 33 790 2910

**Europe, Middle East and Africa Technical Support:**

Phone: 00421 33 790 2910

For additional information, please contact your local Sales Representative