

Optical Image Stabilization (OIS) / Open-Auto Focus (AF) Controller & Driver integrating an on-chip 32-bit DSP

LC898124EP3XC



WLCSP27, 3.89x1.30, 0.4P
CASE 567NJ
SCALE 4:1

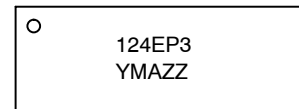
OVERVIEW

LC898124EP3XC is a system LSI integrating an onchip 32-bit DSP, an EEPROM and peripherals including analog circuits for OIS (Optical Image Stabilization) / Open-AF (Auto Focus) control and constant current drivers.

FEATURES

- On-chip 32-bit DSP
 - ◆ Built-in software for digital servo filter
 - ◆ Built-in software for Gyro filter
- Memory
 - ◆ EEPROM
 - ◆ ROM
 - ◆ SRAM
- Peripherals
 - ◆ AD converter: Input 4-ch
 - ◆ DA converter: Output 2-ch
 - ◆ 2-wire Serial I/F circuit (with clock stretch function)
 - ◆ Hall Bias circuit x2-ch
 - ◆ Hall Amp x2-ch
 - ◆ OSC (Oscillator)
 - ◆ LDO (Low Drop-Out regulator)
 - ◆ Digital Gyro I/F for various types of gyro (SPI Bus)
 - ◆ Interrupt I/F
- Driver
 - ◆ OIS
Constant current linear driver (x2-ch, $I_{full} = 200\text{ mA}$)
 - ◆ OP-AF (bidirection)
Constant current linear driver (x1-ch, $I_{full} = 130\text{ mA}$)
- Package
 - ◆ WLCSP27 (3.89 mm x 1.30 mm), thickness Max. 0.33 mm, with back coat
 - ◆ Pb-Free and Halogen Free compliance
- Power Supply Voltage
 - ◆ AD / DA / VGA / LDO / OSC: AVDD30 = 2.6 V to 3.3 V
 - ◆ Driver: VM = 1.8 V to 3.3 V
 - ◆ 1.8 V I/O: IOVDD = 1.7 V to 3.3 V
 - ◆ Core Logic: Generated by on-chip LDO DVDD15 = typ. 1.59 V
- This Device is Pb-Free and Halogen Free

MARKING DIAGRAM



Y = Year
M = Month
A = Assembly Site
ZZ = Lot Number

ORDERING INFORMATION

Device	Package	Shipping [†]
LC898124EP3XC-MH	WLCSP27 (Pb-Free / Halogen Free)	4000 / Tape & Reel

[†]For information on tape and reel specifications, including part orientation and tape sizes, please refer to our Tape and Reel Packaging Specification Brochure, [BRD8011/D](#).

LC898124EP3XC

BLOCK DIAGRAM

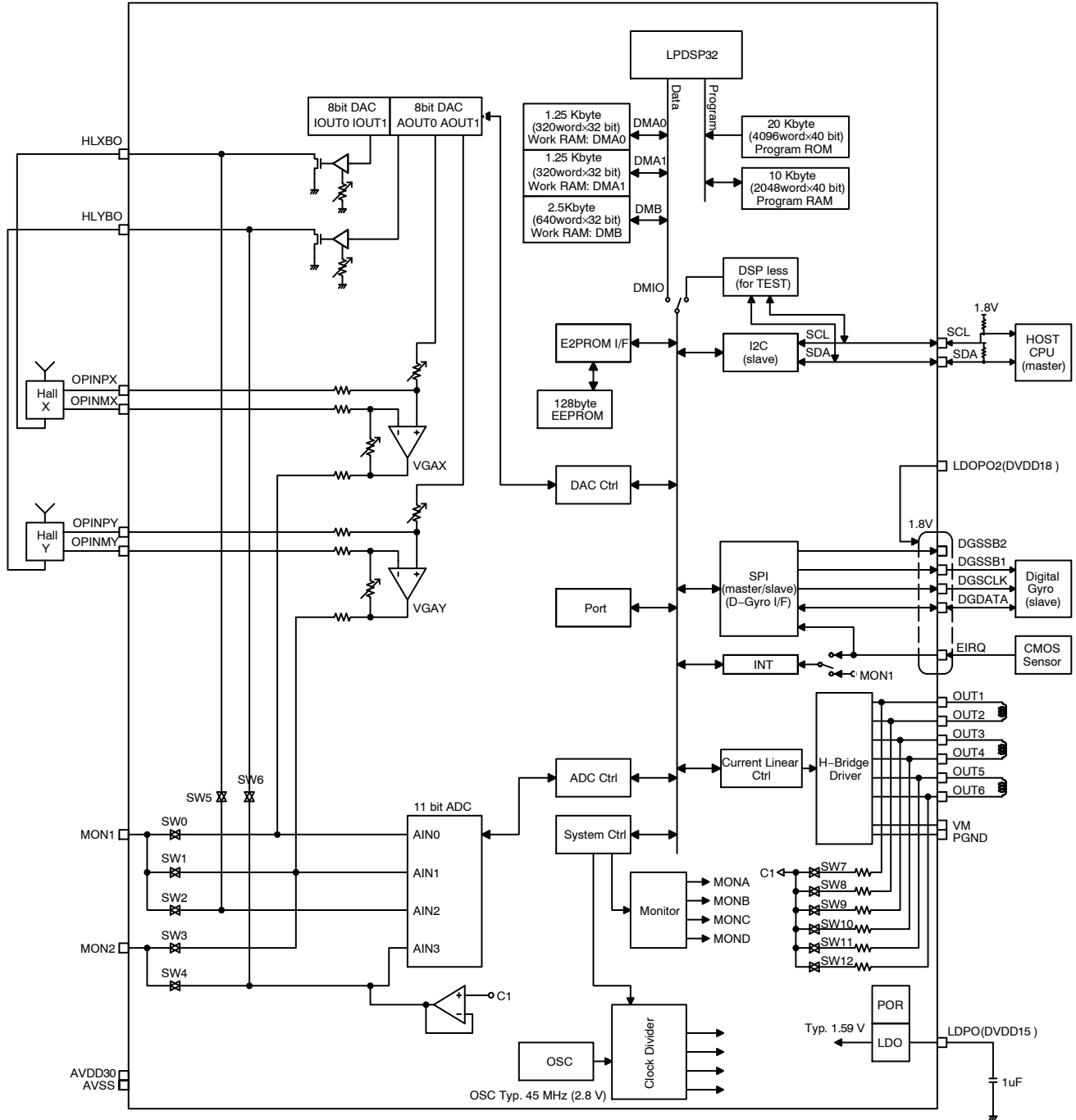


Figure 1. Block Diagram

LC898124EP3XC

APPLICATION DIAGRAM

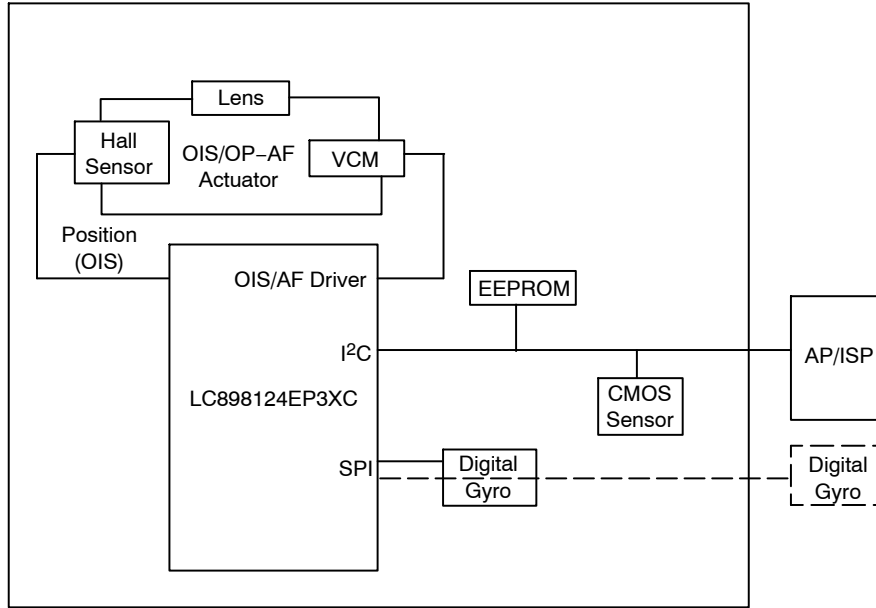


Figure 2. Application Diagram

PIN LAYOUT

Table 1. BOTTOM VIEW

C	OUT4	OUT3	OUT2	OUT1	OPINPX	HLXBO	MON2	EIRQ	DGDATA
B	VM	PGND	OPINPY	OPINMY	OPINMX	HLYBO	IOVDD	SDA	DGCLK
A	OUT5	OUT6	AVSS	AVDD30	LDPO	MON1	DGSSB2	SCL	DGSSB1
	1	2	3	4	5	6	7	8	9

Driver
 VDD/VSS
 Internal VDD Output
 Driver

Table 2. PIN DESCRIPTION

NO.	Pin	I/O	I/O Spec	Primary Function	Sub Functions	Init
1	MON1	B		Servo Monitor Analog In/Out	2-wire serial Data	Z
					Interrupt Input	
2	MON2	B		Servo Monitor Analog In/Out	2-wire serial Clock	Z
3	SCL	B	OD	2-wire serial HOST I/F Clock Slave		Z
4	SDA	B	OD	2-wire serial HOST I/F Data Slave		Z
5	IOVDD	P		I/O Power		
6	DGSSB2	B		Digital Gyro Data I/F Chip Select2 Out (3/4-wire Master)		U
7	DGSSB1	B		Digital Gyro Data I/F Chip Select1 Out (3/4-wire Master)	Digital Gyro Data I/F Chip Select In (3/4-wire Slave)	Z
8	DGCLK	B		Digital Gyro Data I/F Clock Out (3/4-wire Master)	Digital Gyro Data I/F Clock In (3/4-wire Slave)	Z
9	EIRQ	B	OD	Interrupt Input	Digital Gyro Data I/F Data In (4-wire Master/Slave)	Z

LC898124EP3XC

Table 2. PIN DESCRIPTION (continued)

NO.	Pin	I/O	I/O Spec	Primary Function	Sub Functions	Init
10	DGDATA	B		Digital Gyro Data I/F Data (3-wire Master)	Digital Gyro Data I/F Data Out (4-wire Master/Slave)	Z
					Digital Gyro Data I/F Data (3-wire Slave)	
11	HLXBO	O		OIS Hall X Bias Output		Z
12	HLYBO	O		OIS Hall Y Bias Output		Z
13	OPINMX	I		OIS Hall X Opamp Input Minus		Z
14	OPINPX	I		OIS Hall X Opamp Input Plus		-
15	OPINMY	I		OIS Hall Y Opamp Input Minus		-
16	OPINPY	I		OIS Hall Y Opamp Input Plus		-
17	OUT1	O		OIS Driver Output		Z
18	OUT2	O		OIS Driver Output		Z
19	OUT3	O		OIS Driver Output		Z
20	OUT4	O		OIS Driver Output		Z
21	OUT5	O		Open-AF Driver Output		Z
22	OUT6	O		Open-AF Driver Output		Z
23	AVDD30	P		Analog Power		-
24	AVSS	P		Analog GND		-
25	VM	P		Driver Power		-
26	PGND	P		Driver GND		
27	LDPO	P		Internal V LDO Power Output		

1. Process when pins are not used:

PIN TYPE "O" – Ensure that it is set to OPEN.

PIN TYPE "I" – OPEN is inhibited. Ensure that it is connected to the V_{DD} or V_{SS} even when it is unused.

(Please contact **onsemi** for more information about selection of V_{DD} or V_{SS} .)

PIN TYPE "B" – If you are unsure about processing method on the pin description of pin layout table, please contact us.

2. Note that incorrect processing of unused pins may result in defects.

ELECTRICAL CHARACTERISTICS

Table 3. ABSOLUTE MAXIMUM RATINGS (at AVSS = 0 V, PGND = 0 V)

Parameter	Symbol	Conditions	Ratings	Unit
Power Supply Voltage	V _{AD30} max	T _a ≤ 25°C	-0.3 to +4.6	V
	V _M max	T _a ≤ 25°C	-0.3 to +4.6	
	V _{IO} max	T _a ≤ 25°C	-0.3 to +4.6	
Input/Output Voltage	V _{AI30} , V _{AO30}	T _a ≤ 25°C	-0.3 to V _{AD30} +0.3	V
	V _{MI30} , V _{MO30}	T _a ≤ 25°C	-0.3 to V _{M30} +0.3	
	V _{II} , V _{IOO}	T _a ≤ 25°C	-0.3 to V _{IO18} +0.3	V
Storage Temperature	T _{stg}		-55 to +125	°C
Operating Temperature	Topr1	Read for EEPROM	-30 to +85	°C
	Topr2	Program & Erase for EEPROM	-30 to +70	°C

Stresses exceeding those listed in the Maximum Ratings table may damage the device. If any of these limits are exceeded, device functionality should not be assumed, damage may occur and reliability may be affected.

Table 4. ALLOWABLE OPERATING RATINGS (at T_A = -30 to +85°C, AVSS = 0 V, PGND = 0 V)

Parameter	Symbol	Min	Typ	Max	Unit
Power Supply Voltage	V _{AD30}	2.6	2.8	3.3	V
Input Voltage Range	V _{INA}	0	-	V _{AD30}	V

3.0 V POWER SUPPLY (VM)

Power Supply Voltage	V _{M30}	1.8	2.8	The lower of 3.3 and AVDD30 +0.5	V
Input Voltage Range	V _{INM}	0	-	V _{M30}	V

1.8 V POWER SUPPLY (IOVDD)

Power Supply Voltage	V _{IO}	1.7	1.8	3.3	V
Input Voltage Range	V _{INI}	0	-	V _{IO}	V

Functional operation above the stresses listed in the Recommended Operating Ranges is not implied. Extended exposure to stresses beyond the Recommended Operating Ranges limits may affect device reliability.

Table 5. D. C. CHARACTERISTICS: INPUT/OUTPUT

(at T_A = -30 to +85°C, AVSS = 0 V, PGND = 0 V, AVDD30 = 2.6 to 3.3. V)

Parameter	Symbol	Conditions	Min	Typ.	Max	Unit	Applicable pins
High-level Input Voltage	V _{IH}	CMOS schmitt	0.75IOVDD			V	DGSSB1, DGCLK, DGDATA, EIRQ, DGSSB2
Low-level Input Voltage	V _{IL}				0.25IOVDD	V	
High-level Input Voltage	V _{IH}		1.4			V	SCL, SDA
Low-level Input Voltage	V _{IL}				0.4	V	SCL, SDA
High-level Input Voltage	V _{IH}		0.75AVDD30			V	MON1, MON2
Low-level Input Voltage	V _{IL}				0.25AVDD30	V	
High-level Output Voltage	V _{OH}	I _{OH} = -2 mA	IOVDD-0.2			V	DGSSB1, DGCLK, DGDATA, DGSSB2

LC898124EP3XC

Table 5. D. C. CHARACTERISTICS: INPUT/OUTPUT (continued)

(at $T_A = -30$ to $+85^\circ\text{C}$, $AVSS = 0\text{ V}$, $PGND = 0\text{ V}$, $AVDD30 = 2.6$ to 3.3 V)

Parameter	Symbol	Conditions	Min	Typ.	Max	Unit	Applicable pins
Low-level Output Voltage	VOL	IOL = 2 mA			0.2	V	DGSSB1, DGCLK DGDATA,EIRQ DGSSB2
High-level Output Voltage	VOH	IOH = -2 mA	AVDD30-0.3			V	MON1,MON2
Low-level Output Voltage	VOL	IOL = 2 mA			0.3	V	
Low-level Output Voltage	VOL	IOL = 2 mA			0.2	V	SCL,SDA,
Analog Input Voltage	VAI		AVSS		AVDD30	V	MON1,MON2
Pull Up Resistor	Rup		20		250	k Ω	DGSSB1, DGCLK DGDATA MON1,MON2 HLXBO,HLYBO DGSSB2
Pull Down Resistor	Rdn		20		250	k Ω	DGSSB1, DGCLK DGDATA,EIRQ MON1,MON2 HLXBO,HLYBO DGSSB2

Table 6. DRIVER OUTPUT (at $T_A = 25^\circ\text{C}$, $V_{SS} = 0\text{ V}$, $PGND = 0\text{ V}$, $AVDD30 = V_M = 2.8\text{ V}$)

Parameter	Symbol	Condition	Min	Typ	Max	Unit
Output Current OUT1 to OUT4	Ifull	Full code	190	200	210	mA
Output Current OUT5, OUT6		Full Code OP-AF(bidirection)	123.5	130	136.5	mA
Output ON Resistance OUT1 to OUT4	Ron	Full code Total On resistance	-	2.2	-	Ω
Output ON Resistance OUT5, OUT6		Full code Total On resistance	-	2.2	-	Ω

3. Calculation method of max. current(I_{max}):

R_{coil}* : Coil resistance of actuator R_b* : Wiring resistance of the board

$VM / (R_{coil} + R_b + R_{on}) \geq I_{full}$; I_{max} = I_{full}

$VM / (R_{coil} + R_b + R_{on}) < I_{full}$; I_{max} = $VM / (R_{coil} + R_b + R_{on})$

*For additional information on our Pb-Free strategy

and soldering details, please download the

onsemi Soldering and Mounting

Techniques Reference Manual, SOLDERRM/D.

Table 7. NON-VOLATILE MEMORY CHARACTERISTICS

Item	Symbol	Condition	Min	Typ	Max	Unit	Applicable circuit
Endurance	EN				1000	Cycles	EEPROM
Data Retention	RT		10			Years	EEPROM
Write Time	tWT				20	ms	

Product parametric performance is indicated in the Electrical Characteristics for the listed test conditions, unless otherwise noted. Product performance may not be indicated by the Electrical Characteristics if operated under different conditions.

AC CHARACTERISTICS

V_{DD} Supply Timing

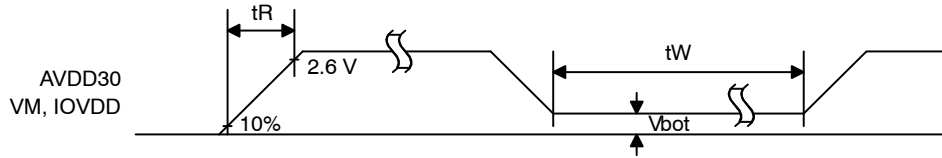


Figure 3. V_{DD} Supply Timing

Table 8. V_{DD} SUPPLY TIMING

Item	Symbol	Min	Typ	Max	Units
Rise Time	t _R			3	ms
Wait Time	t _W	100			ms
Bottom Voltage	V _{bot}			0.2	V

Injection order between AVDD30 and VM, IOVDD is below.

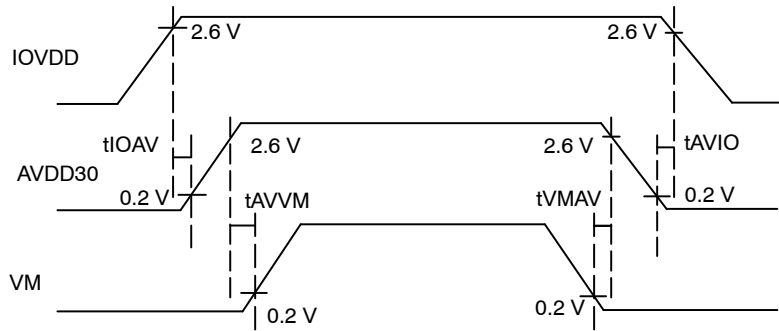


Figure 4.

Table 9. V_{DD} SUPPLY TIMING

Item	Symbol	Min	Typ	Max	Units
IOVDD ON to AVDD30 ON	t _{IOAV}	0			ms
AVDD30 ON to VM ON	t _{AVVM}	0			ms
VM OFF to AVDD30 OFF	t _{VMAV}	0			ms
AVDD30 OFF to IOVDD OFF	t _{AVIO}	0			ms

4. $VM \leq AVDD30 + 0.5 V$

5. When IOVDD is power OFF, it is prohibition to apply the voltage to a 1.8 V pins*.

*For additional information on our Pb-Free strategy and soldering details, please download the onsemi Soldering and Mounting Techniques Reference Manual, SOLDERRM/D.

SDA, SCL, EIRQ tolerate 3 V input at the time of power off.

The data in the EEPROM may be rewritten unintentionally if you do not keep specifications.

And it is forbidden to power off during EEPROM access. The data in the EEPROM may be rewritten unintentionally.

OIS driver and AF driver are recommended to set standby before VM power off.

AC SPECIFICATION

The figure below shows interface timing definition and following table shows electric characteristics.
 The communication protocol is compatible with I²C (Fast mode Plus).
 This circuit has clock stretch function.

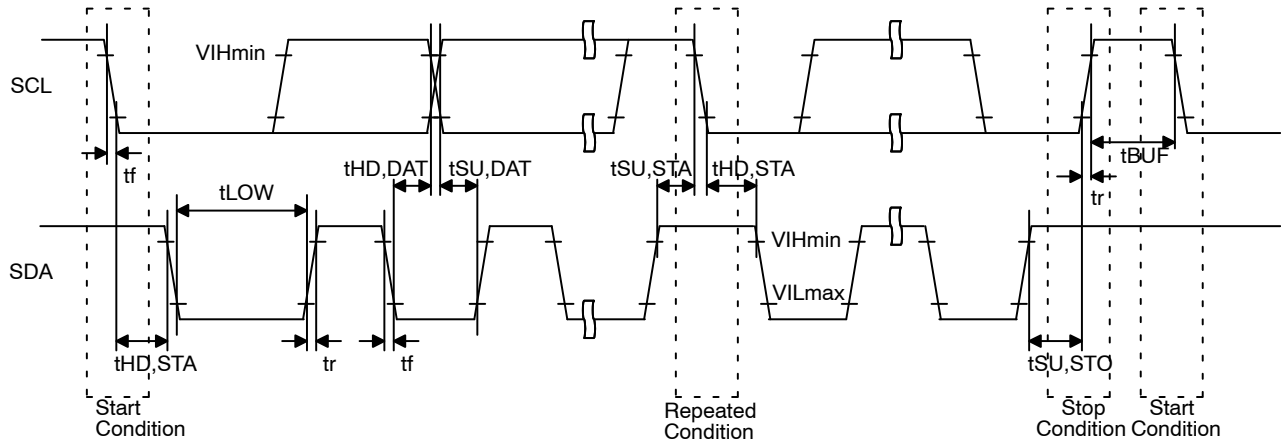


Figure 5. 2-wire Serial Interface Timing Definition

Table 10. ELECTRIC CHARACTERISTICS FOR 2-WIRE SERIAL INTERFACE (AC CHARACTERISTICS)

Item	Symbol	Pin name	Min	Typ	Max	Units
SCL Clock Frequency	Fscl	SCL			1000	kHz
START Condition Hold Time	tHD,STA	SCL SDA	0.26			μs
SCL Clock Low Period	tLOW	SCL	0.5			μs
SCL Clock High Period	tHIGH	SCL	0.26			μs
Setup Time for Repetition START Condition	tSU,STA	SCL SDA	0.26			μs
Data Hold Time	tHD,DAT	SCL SDA	0 (Note 6)		0.9	μs
Data Setup Time	tSU,DAT	SCL SDA	50			ns
SDA, SCL Rising Time	tr	SCL SDA			120	ns
SDA, SCL Falling Time	tf	SCL SDA			120	ns
STOP Condition Setup Time	tSU,STO	SCL SDA	0.26			μs
Bus Free Time between STOP and START	tBUF	SCL SDA	0.5			μs

6. Although the I²C specification defines a condition that 300 ns of hold time is required internally. This LSI is designed for a condition with typ. 40 ns of hold time. If SDA signal is unstable around falling point of SCL signal, please implement an appropriate treatment on board, such as inserting a resistor.

MECHANICAL CASE OUTLINE

PACKAGE DIMENSIONS

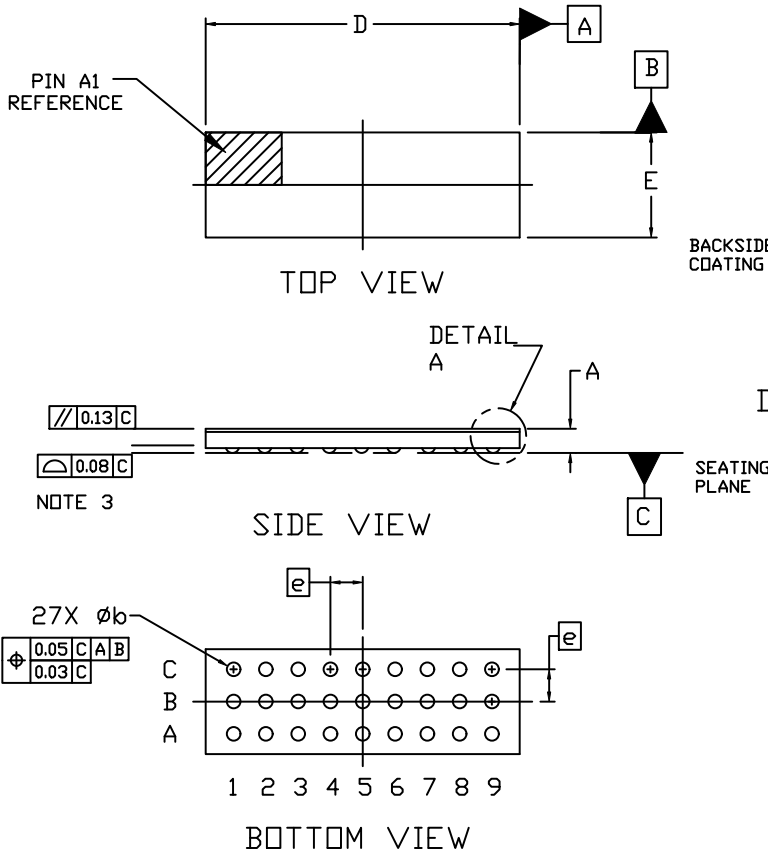
ON Semiconductor®



SCALE 4:1

WLCSP27, 3.89x1.30, 0.4P
CASE 567NJ
ISSUE A

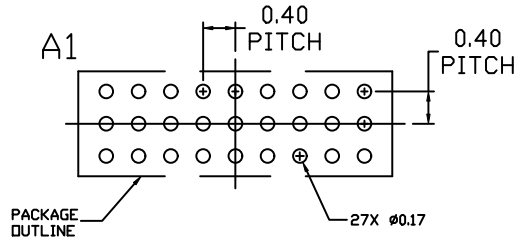
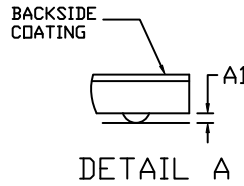
DATE 22 SEP 2020



NOTES:

1. DIMENSIONING AND TOLERANCING PER ASME Y14.5M, 2009.
2. CONTROLLING DIMENSION: MILLIMETERS
3. COPLANARITY APPLIES TO THE SPHERICAL CROWNS OF THE SOLDER BALLS.

DIM	MILLIMETERS		
	MIN.	NDM.	MAX.
A	---	---	0.33
A1	0.04 REF		
b	0.12	0.17	0.22
D	3.84	3.89	3.94
E	1.25	1.30	1.35
e	0.40 BSC		



RECOMMENDED MOUNTING FOOTPRINT

* For additional information on our Pb-Free strategy and soldering details, please download the ON Semiconductor Soldering and Mounting Techniques Reference Manual, SOLDERM/D.

DOCUMENT NUMBER:	98AON09155G	Electronic versions are uncontrolled except when accessed directly from the Document Repository. Printed versions are uncontrolled except when stamped "CONTROLLED COPY" in red.
DESCRIPTION:	WLCSP27, 3.89X1.30, 0.4P	PAGE 1 OF 1

ON Semiconductor and are trademarks of Semiconductor Components Industries, LLC dba ON Semiconductor or its subsidiaries in the United States and/or other countries. ON Semiconductor reserves the right to make changes without further notice to any products herein. ON Semiconductor makes no warranty, representation or guarantee regarding the suitability of its products for any particular purpose, nor does ON Semiconductor assume any liability arising out of the application or use of any product or circuit, and specifically disclaims any and all liability, including without limitation special, consequential or incidental damages. ON Semiconductor does not convey any license under its patent rights nor the rights of others.

onsemi, **Onsemi**, and other names, marks, and brands are registered and/or common law trademarks of Semiconductor Components Industries, LLC dba "**onsemi**" or its affiliates and/or subsidiaries in the United States and/or other countries. **onsemi** owns the rights to a number of patents, trademarks, copyrights, trade secrets, and other intellectual property. A listing of **onsemi**'s product/patent coverage may be accessed at www.onsemi.com/site/pdf/Patent-Marking.pdf. **onsemi** reserves the right to make changes at any time to any products or information herein, without notice. The information herein is provided "as-is" and **onsemi** makes no warranty, representation or guarantee regarding the accuracy of the information, product features, availability, functionality, or suitability of its products for any particular purpose, nor does **onsemi** assume any liability arising out of the application or use of any product or circuit, and specifically disclaims any and all liability, including without limitation special, consequential or incidental damages. Buyer is responsible for its products and applications using **onsemi** products, including compliance with all laws, regulations and safety requirements or standards, regardless of any support or applications information provided by **onsemi**. "Typical" parameters which may be provided in **onsemi** data sheets and/or specifications can and do vary in different applications and actual performance may vary over time. All operating parameters, including "Typicals" must be validated for each customer application by customer's technical experts. **onsemi** does not convey any license under any of its intellectual property rights nor the rights of others. **onsemi** products are not designed, intended, or authorized for use as a critical component in life support systems or any FDA Class 3 medical devices or medical devices with a same or similar classification in a foreign jurisdiction or any devices intended for implantation in the human body. Should Buyer purchase or use **onsemi** products for any such unintended or unauthorized application, Buyer shall indemnify and hold **onsemi** and its officers, employees, subsidiaries, affiliates, and distributors harmless against all claims, costs, damages, and expenses, and reasonable attorney fees arising out of, directly or indirectly, any claim of personal injury or death associated with such unintended or unauthorized use, even if such claim alleges that **onsemi** was negligent regarding the design or manufacture of the part. **onsemi** is an Equal Opportunity/Affirmative Action Employer. This literature is subject to all applicable copyright laws and is not for resale in any manner.

PUBLICATION ORDERING INFORMATION

LITERATURE FULFILLMENT:

Email Requests to: orderlit@onsemi.com

onsemi Website: www.onsemi.com

TECHNICAL SUPPORT

North American Technical Support:

Voice Mail: 1 800-282-9855 Toll Free USA/Canada

Phone: 011 421 33 790 2910

Europe, Middle East and Africa Technical Support:

Phone: 00421 33 790 2910

For additional information, please contact your local Sales Representative