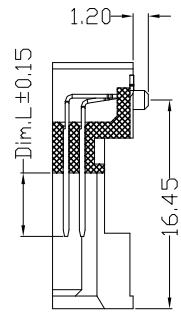
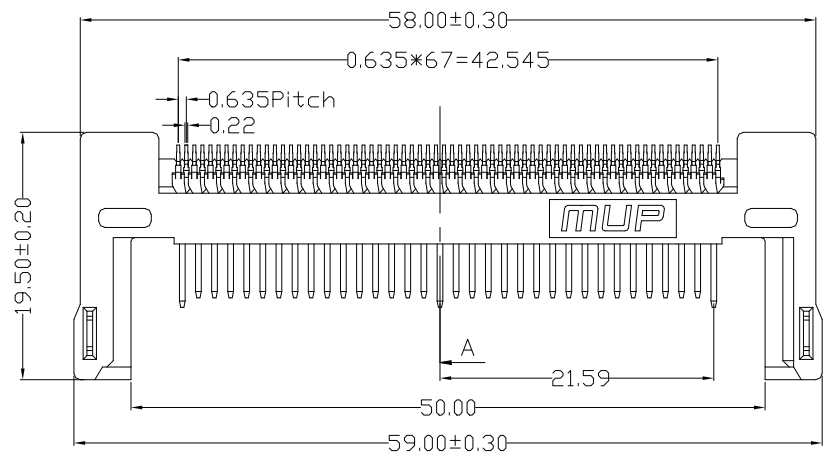


REV.	DESCRIPTION OF REVISIONS	APPR.	DRAW.	RELEASE	DATE

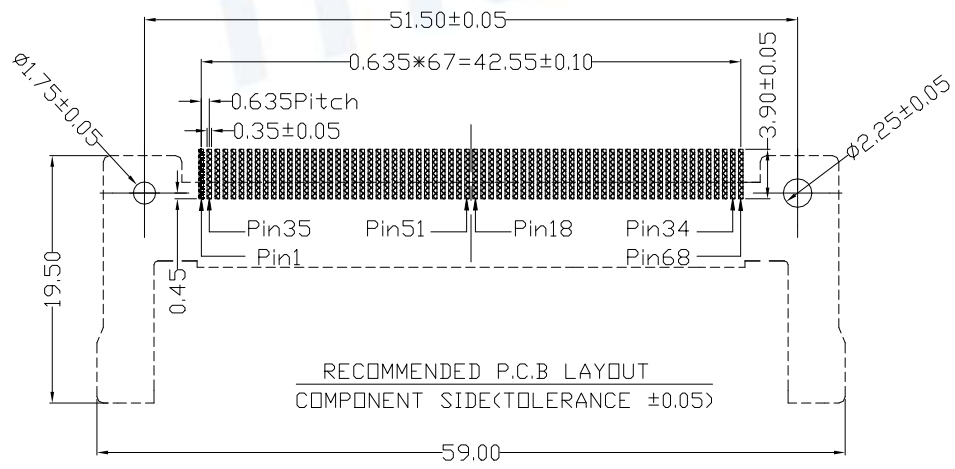
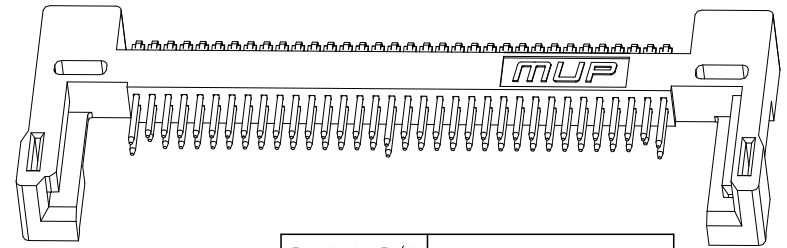
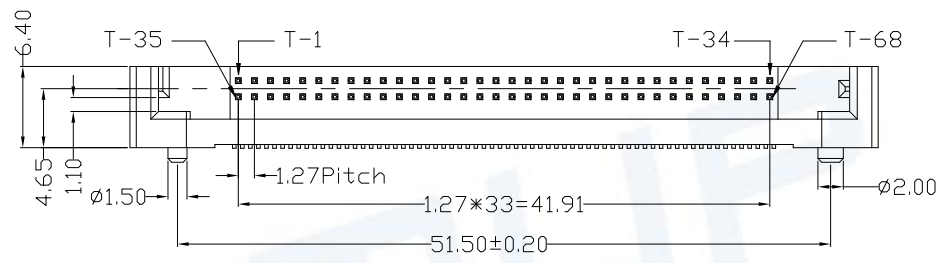


SECTION A-A

TECHNICAL CHARACTERISTICS

- General Characteristics
 - Dimensions: 59.0LX19.50WX6.40H mm
 - Weight: Approx: 4±0.5g
- Electrical Characteristics
 - Current Rating: 0.5A AC DC
 - Rated voltage: 5 V
 - Contact resistance: 200mΩ max
 - Insulation resistance: 1000MΩ min
 - Withstanding voltage: 500 V AC rms 1min.
- Environmental Characteristics
 - Operating temperature: -20°C~+60°C

Pin Type	Dim.L	Pin No
Detect	3.50mm	36.67
General	4.25mm	All other pins
Power	5.00mm	1.17.34.35.51.68



Products P/N M6701-68641110-0011

ITEM	PART NAME	Q'TY	MATERIAL	FINISH
1	BASE	1	Hi-temp Thermoplastic	Black UL94V-0
2	DATA CONTACT	68	Copper Alloy	Contact area: Nickel plated

Unless otherwise specified, other tolerance are:

MUP MUP INDUSTRIAL CO.,LTD.

NAME: **PCMCIA Connector**

MODEL NO: **MUP-M6701-1 (68Pin)**

TYPE :

PROJ.	UNIT	SCALE	DRAWN	Jick	2018 06 21	DWG NO.:
	mm	1:1	CHECKED	Keey	2018 06 21	DWG-MUP-M6701-001
APPROVAL Simon 2018 06 21						SHEET 1/1
CUSTOMER DRAWING						REVISION X1

