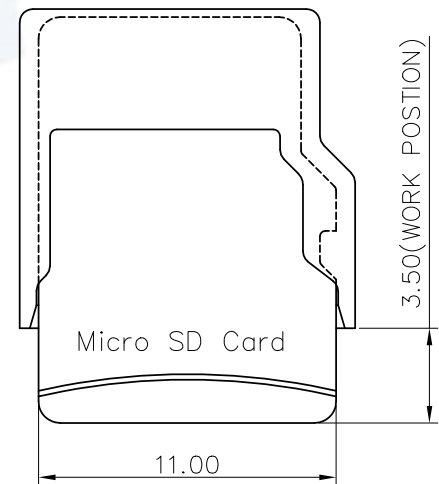
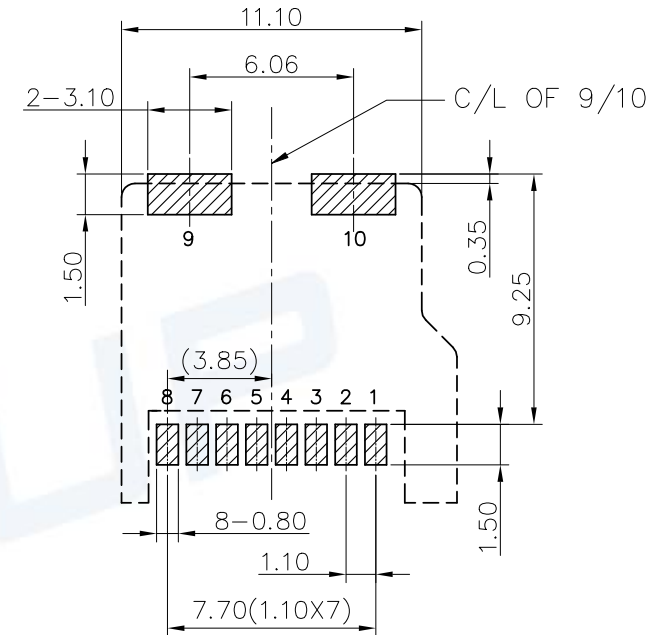
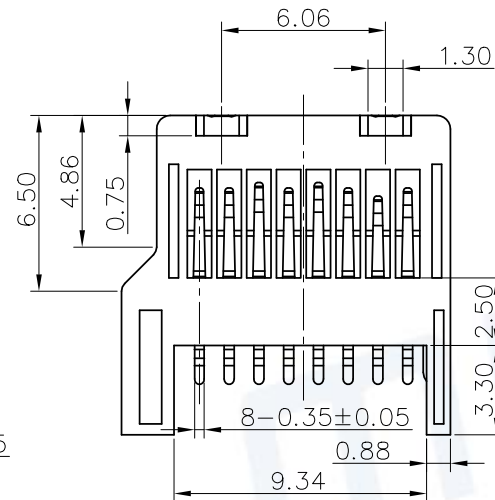
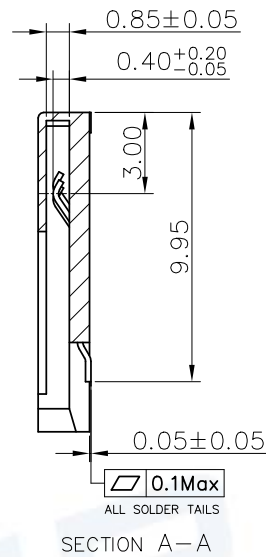
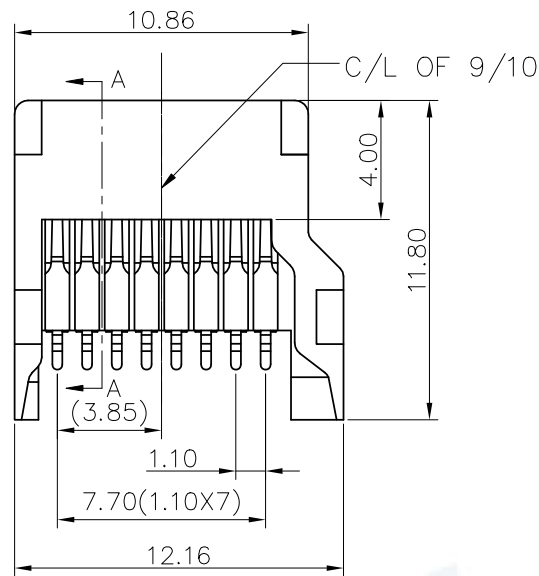


| REV | DESCRIPTION OF REVISIONS | APPR | DRAW | RELEASE | DATE |
|-----|--------------------------|------|-------|---------|------------|
| X1 | NEW PRODUCT | | Seanw | | 2013.07.29 |



TECHNICAL CHARACTERISTICS

1.General Characteristics

Dimensions: 11.80LX12.40WX2.20H mm

Weight: Approx 0.70±0.5g

Durability: 5,000 cycles min.

2.Electrical Characteristics

Contact resistance: 50mΩ typical, 100mΩ max

Insulation resistance: >1000MΩ/500V DC

3.Solderability

Wave: 250°C, 5sec. Max

Manual soldering : 370°C, 3sec. Max

4.Environmental Characteristics

Operating temperature: -40°C~+85°C

Operating humidity : 10%~+95%RH

| ITEM | PART NAME | Q'TY | MATERIAL | FINISH |
|------|--------------|------|-------------------------|---------------------------------|
| 1 | BASE | 1 | LCP | LCP Black UL94V-0 GF |
| 2 | DATA CONTACT | 8 | Copper Alloy (C5210R-H) | Contact area: 1 Gold plated |
| 3 | LATCH | 2 | Copper Alloy (C5210R-H) | Soldertails area: 80 Tin plated |

Unless otherwise specified, other tolerance are

MUP MUP INDUSTRIAL CO.,LTD.

NAME **Micro SD Card Connector**

MODEL NO: **MUP M621-1**

TYPE : **H2.0 Without post&logo 8p**

| | | | | | | |
|------------------|------|-------|----------|-------------------|----------|------------------|
| PROJ. | UNIT | SCALE | DRAWN | Zoey Sep.10.2010 | DWG NO | DWG-MUP-M621-001 |
| | MM | 1:1 | CHECKED | Jimmy Sep.10.2010 | SHEET | 1/1 |
| CUSTOMER DRAWING | | | APPROVAL | Simon Sep.10.2010 | REVISION | X1 |

