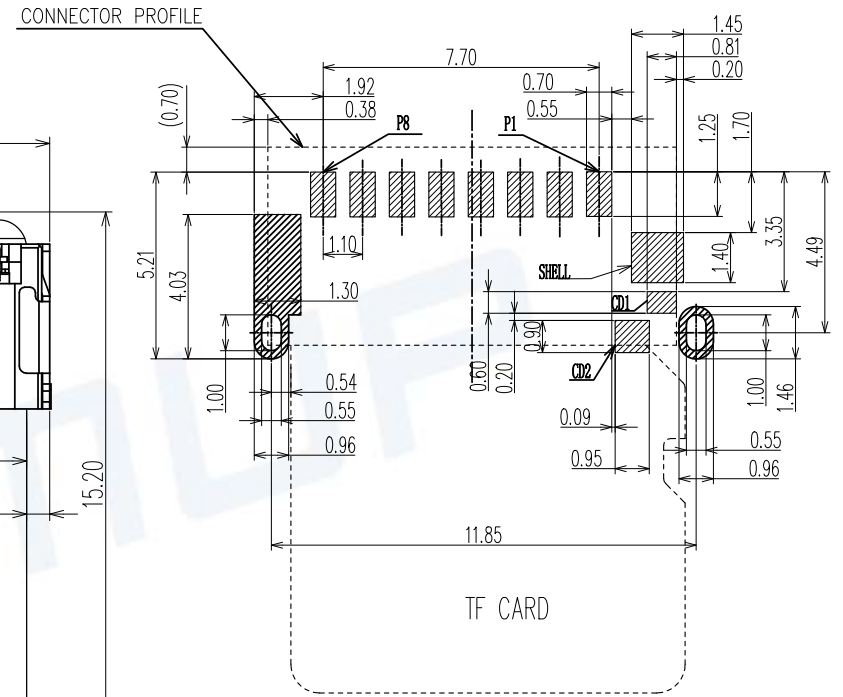
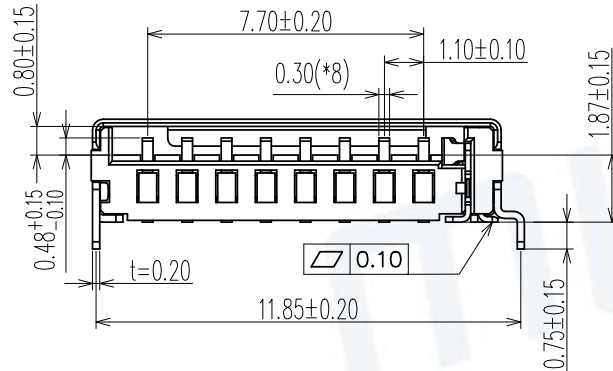
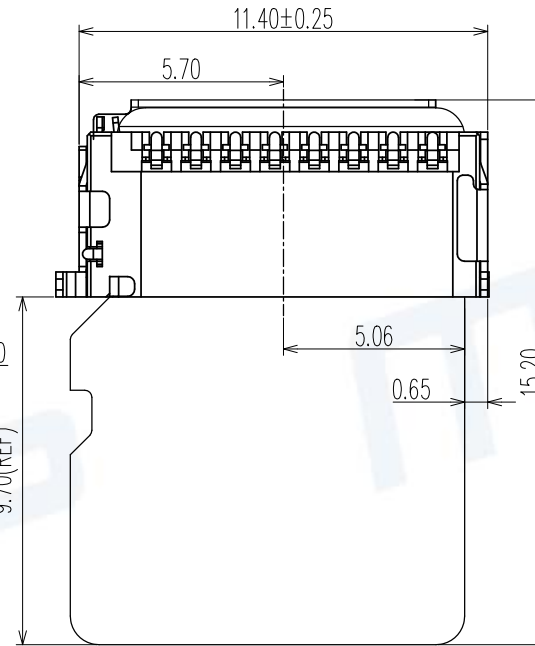
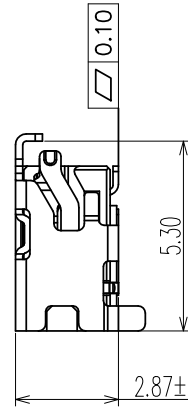
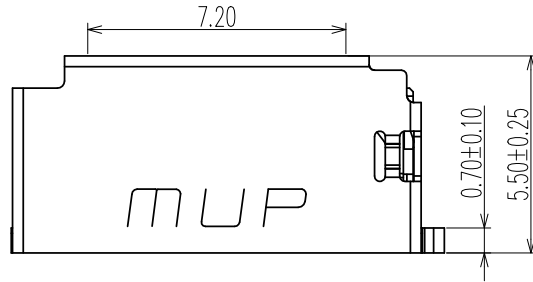
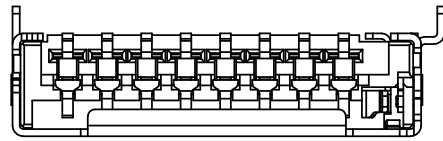
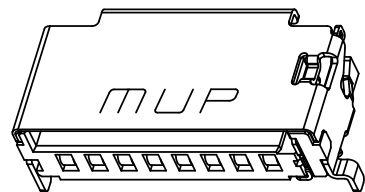


REV.	DESCRIPTION OF REVISIONS	APPR.	DRAW.	RELEASE	DATE
X1					
X2					



RECOMMENDED P.C.B LAYOUT
COMPONENT SIDE(TOLERANCE ±0.05)



TECHNICAL CHARACTERISTICS

1.General Characteristics

Durability: 5000 cycles min.

2.Electrical Characteristics

Contact resistance: 50mΩ typical, 100mΩ max
Insulation resistance: >1000MΩ/500V DC

3.Solderability

Vapor phase: 215°C, 30sec. Max
IR reflow: 250°C, 5sec. Max
Manual soldering: 370°C, 3sec. Max

4.Environmental Characteristics

Operating temperature: -40°C~+85°C
Operating humidity: 10%~+95%RH

ITEM	PART NAME	Q'TY	MATERIAL	FINISH
1	HOUSING	1	Hi-temp Thermoplastic	Black UL94V-0
2	DATA CONTACT	8	Copper Alloy	Contact area: Gold plated
3	SHELL	1	Stainless Steel	Ni plated
4	DETECT 1	1	Copper Alloy	Contact area: Gold plated
5	DETECT 2	1	Copper Alloy	Contact area: Gold plated

Unless otherwise specified, other tolerance are:

X	±0.35	X'	±5'
X.X	±0.25	X.X'	±4'
X.XX	±0.15	X.XX'	±3'
X.XXX	±0.10	X.XXX'	±2'

MUP®
MUP INDUSTRIAL CO.,LTD.

NAME: **T-Flash Card Connector**

MODEL NO: **MUP M617-2**

TYPE: **H2.8 Without post 8p**

PROJ.	UNIT	SCALE
①	mm	1:1

DRAWN	Zoey Mar.08.2017
CHECKED	Zoey Mar.08.2017
APPROVAL	Wang Mar.08.2017

DWG NO.:	DWG-MUP-M617-002
SHEET	1/1
REVISION	X1

CUSTOMER DRAWING

