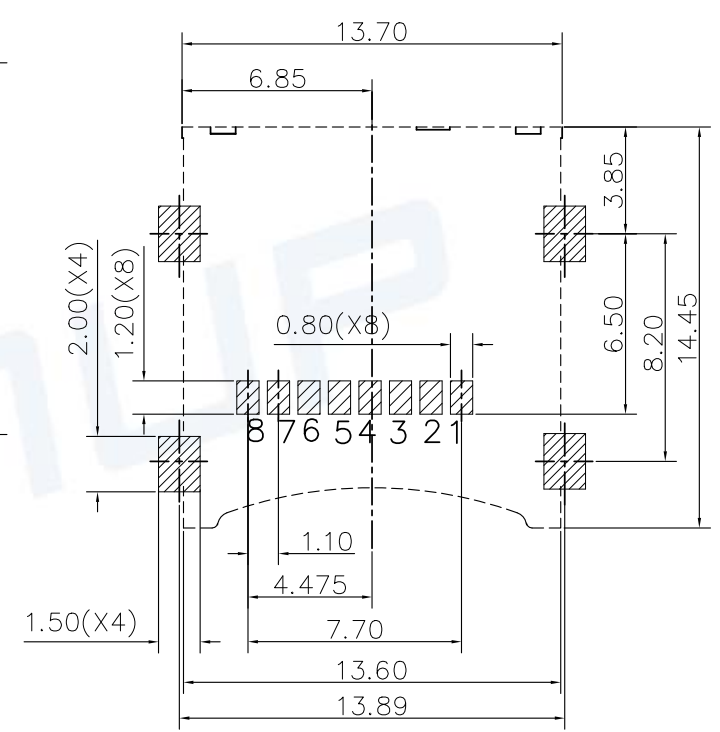
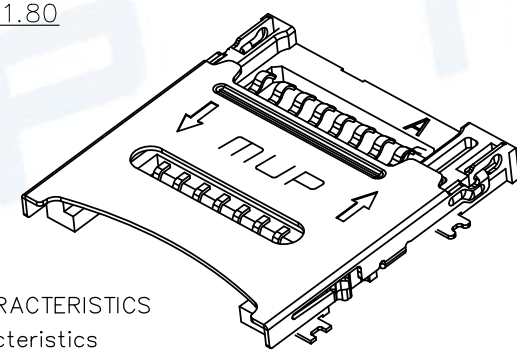
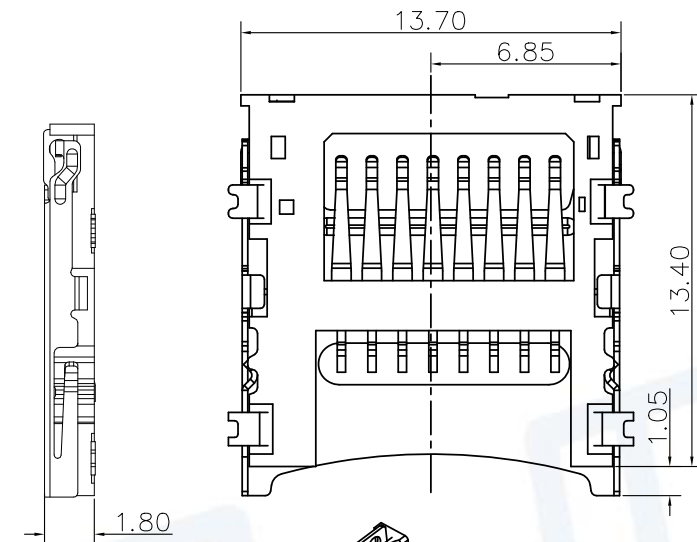
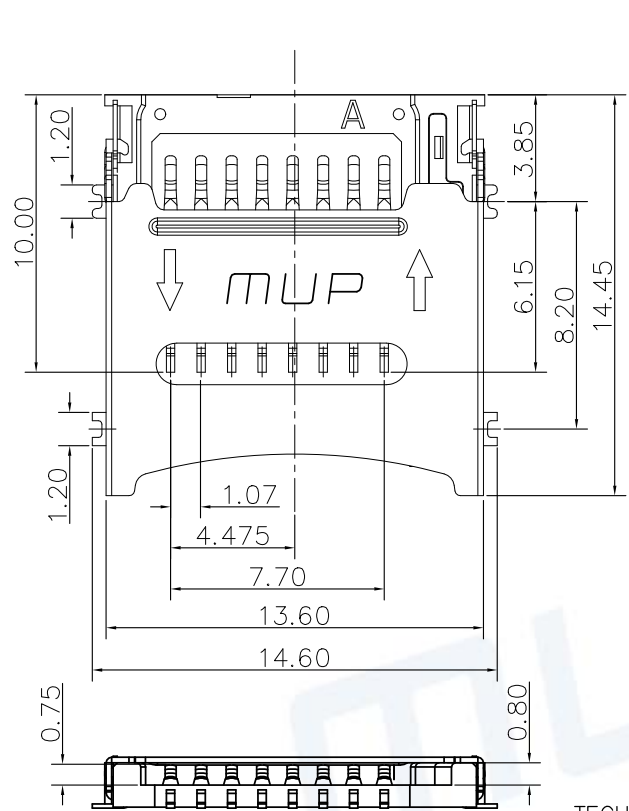


REV.	DESCRIPTION OF REVISIONS	APPR.	DRAW.	RELEASE	DATE
X1	NEW REVISION				Jul.21.2015



RECOMMENDED P.C.B LAYOUT
COMPONENT SIDE(TOLERANCE ±0.05)

MicroSD CARD	
Pin No.	NAME
1	DAT2
2	CD/DAT3
3	CMD
4	VDD
5	CLK
6	VSS
7	DAT0
8	DAT1

TECHNICAL CHARACTERISTICS

- General Characteristics
Dimensions: 14.50LX13.60WX1.80H mm
Weight: Approx0.70g
Durability: 5000 cycles min.
- Electrical Characteristics
Contact resistance: 50mΩ typical, 100mΩ max
Insulation resistance: >1000MΩ/500V DC
- Solderability
Vaporphase: 215°C, 30sec. Max
IR reflow: 250°C, 5sec. Max
Manual soldering: 370°C, 3sec. Max
- Environmental Characteristics
Operating temperature: -40°C~+85°C
Operating humidity: 10%~+95%RH

ITEM	PART NAME	Q'TY	MATERIAL	FINISH
1	HOUSING	1	Hi-temp Thermoplastic	Black UL94V-0
2	DATA CONTACT	8	Copper Alloy	Contact area: Gold plated
3	SHELL	1	Stainless Steel	

Unless otherwise specified, other tolerance are:

X	±0.35	X*	±5*
X.X	±0.25	X.X*	±4*
X.XX	±0.15	X.XX*	±3*
X.XXX	±0.10	X.XXX*	±2*

MUP MUP INDUSTRIAL CO.,LTD.

NAME: **MicorSD Card Connector**

MODEL NO: **MUP-M616-1**

TYPE: **H1.80 mm**

PROJ.	UNIT	SCALE	DRAWN	DWG NO.:
⊕	mm	1:1	Henry Jul.21.2015	DWG-MUP-M616-1
CUSTOMER DRAWING			CHECKED	SHEET
			Simon Jul.21.2015	1/1
			APPROVAL	REVISION
				X1

