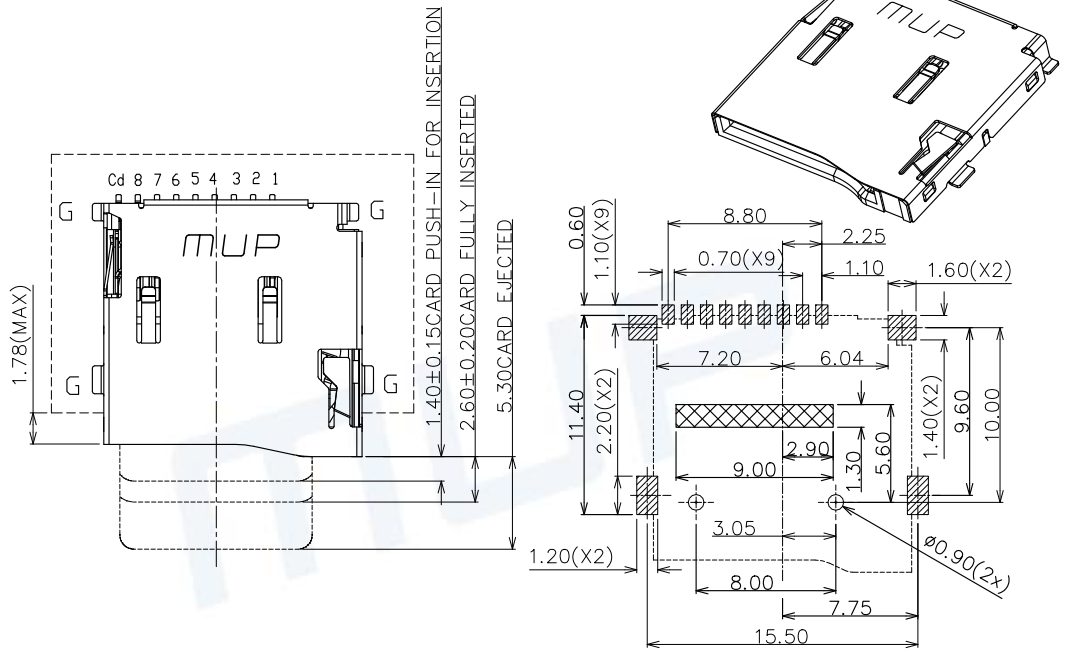
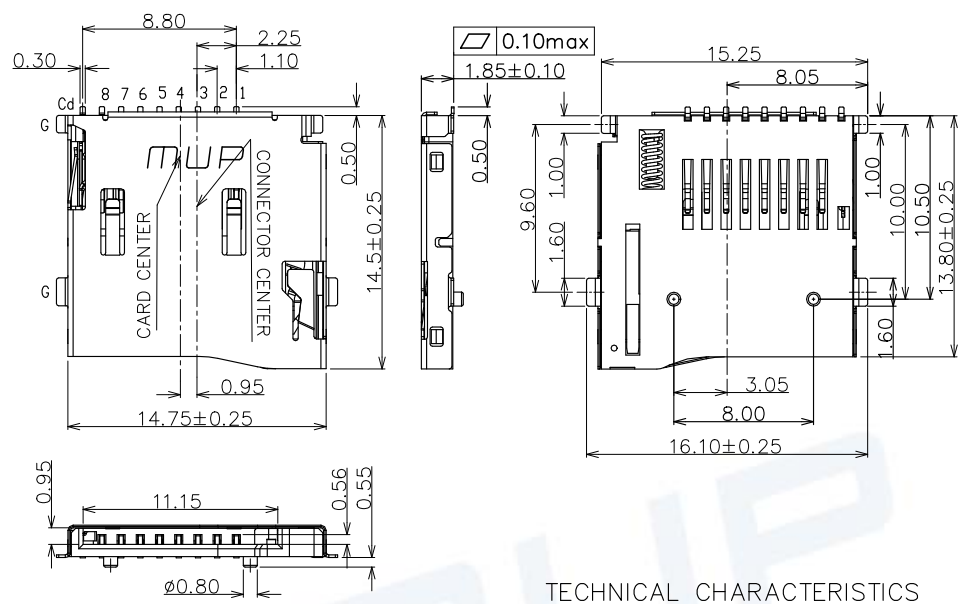


REV.	DESCRIPTION OF REVISIONS	APPR.	DRAW.	RELEASE	DATE
X1	NEW REVISION				Apr.19.2021



RECOMMENDED P.C.B LAYOUT COMPONENT SIDE(TOLERANCE ±0.05)

▨ PAD AREA

▩ NO PATTERN AND VIA HOLE IN THIS AREA

--- CONNECTOR OUTLINE

TECHNICAL CHARACTERISTICS

1.General Characteristics

Dimensions: 14.50LX14.75WX1.85H mm
 Weight: Approx 0.45±0.2g
 Durability: 5,000 cycles min.

2.Electrical Characteristics

Contact resistance: 50mΩ typical, 100mΩ max
 Insulation resistance: >1000MΩ/500V DC

3.Solderability

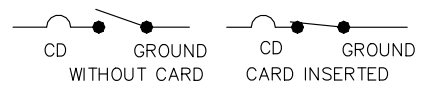
Vaporphase: 215°C, 30sec. Max
 IR reflow: 250°C, 5sec. Max
 Manual soldering: 370°C, 3sec. Max

4.Environmental Characteristics

Operating temperature: -40°C~+85°C
 Operating humidity: 10%~+95%RH

Pin No.	Pin assignent	Pin No.	Pin assignent
1	DAT2	5	CLK
2	CD/DAT3	6	VSS
3	CMD	7	DAT0
4	VDD	8	DAT1
Cd	CARD DETECTION	G	GROUND

ELECTRIC FUNCTION	DETECT SWITCH
WITHOUT CARD	OPEN
CARD INSERTED	CLOSED



SWITCH OPERATION DIAGRAM

ITEM	PART NAME	Q'TY	MATERIAL	FINISH
1	HOUSING	1	Hi-temp Thermoplastic	Black UL94V-0
2	TERMINAL	8	Copper Alloy	Contact area:Gold plated
3	SHELL	1	Stainless steel	SMT area:Gold plated
4	DETECT	1	Copper Alloy	Contact area:Gold plated
5	SLIDER	1	Hi-temp Thermoplastic	Black UL94V-0
6	SPRING	1	SWP	
7	CRANK-AXLE	1	Stainless Steel	

Unless otherwise specified, other tolerance are:

MUP MUP INDUSTRIAL CO.,LTD.

NAME: **T-Flash Card Connector**

MODEL NO: **MUP-M614-12**

TYPE: **H=1.85 mm**

PROJ.	UNIT	SCALE	DRAWN	Herny Apr.19.2021	DWG NO.:
①	mm	1:1	CHECKED	Herny Apr.19.2021	DWG-MUP-M614-12
CUSTOMER DRAWING			APPROVAL	Simon Apr.19.2021	SHEET
					1/1
					REVISION
					X1

