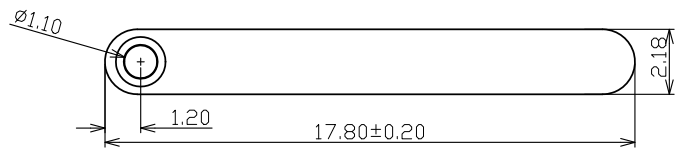
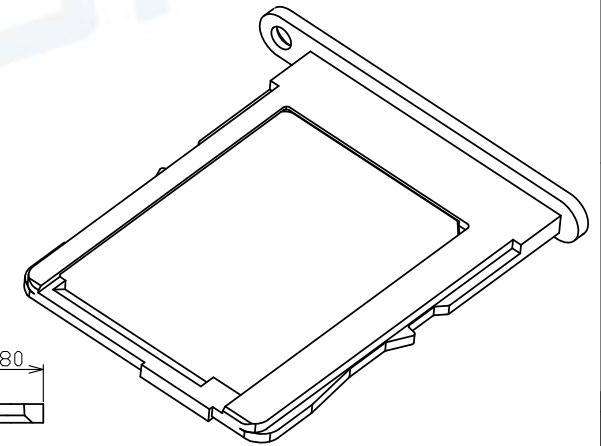
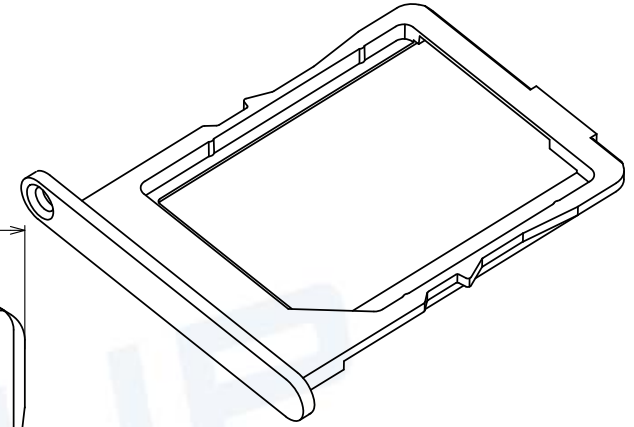
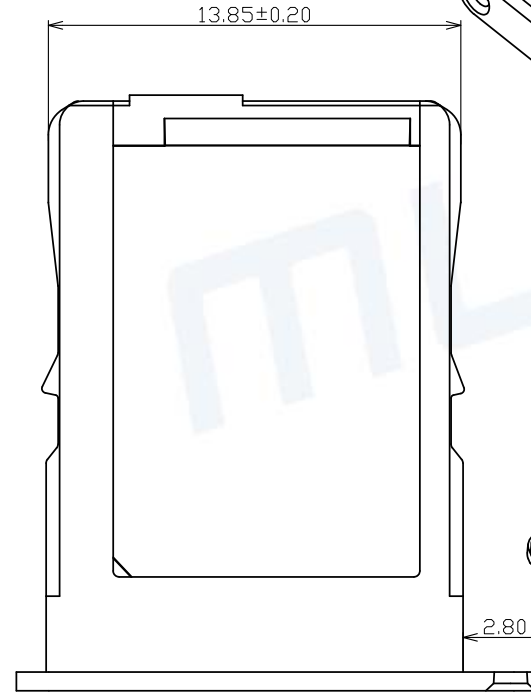
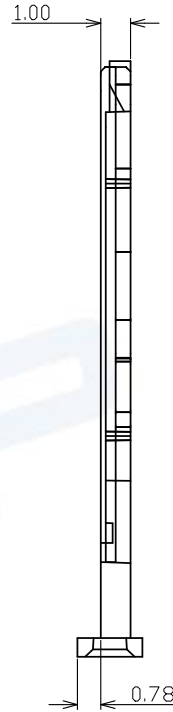
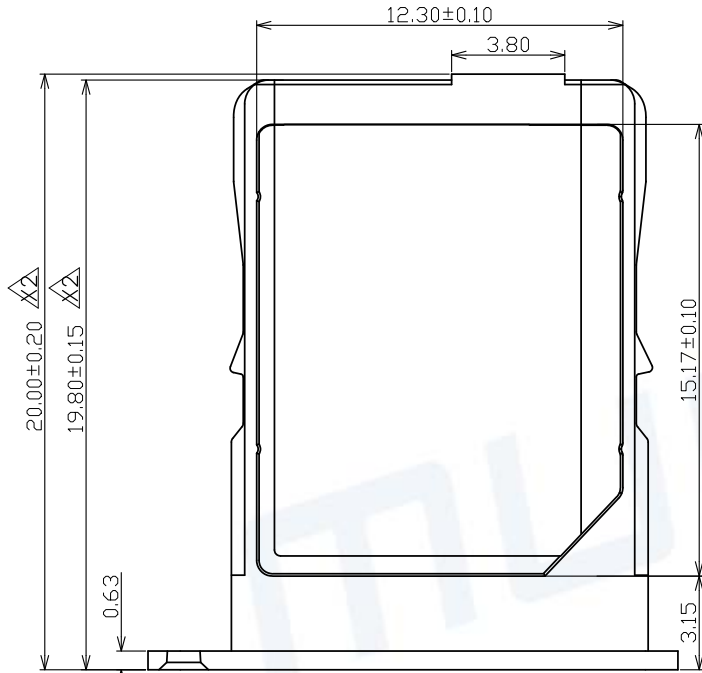
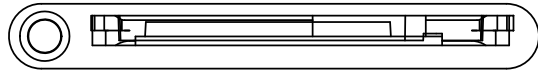


REV.	DESCRIPTION OF REVISIONS	APPR.	DRAW.	RELEASE	DATE
X1	NEW REVISION				Apr.14.2018
X2	Change DIM				Jun.05.2021



No.	Part Name	Colour
1	C7902-31A	Black
2	C7902-32A	Silvery white

NOTE:
 1.Powder Metallurgy Material: Stainless Steel /kirsite
 2.Finish: PVD/Electrophoresis
 3.Appearance is not Acceptable: Corrosion,Poor Coating ,Scratches, Warping Sharp Edges(saw burrs),Bumps,Poor Plating, Stains
 4.Surface needs to be Done to Deal with Passivation
 5.Unless otherwise 0.10mm Round;
 6.Please Contact PROMAX Sales Representative to Verify Product Details.

ITEM	PART NAME	Q'TY	MATERIAL	FINISH
1	METAL SHEET	1	STAINLESS STEEL	PVD/Electrophoresis

Unless otherwise specified, other tolerance are:

X	±0.35	X*	±5*
X.X	±0.25	X.X*	±4*
X.XX	±0.15	X.XX*	±3*
X.XXX	±0.10	X.XXX*	±2*

MUP MUP INDUSTRIAL CO.,LTD.

NAME: **Micro SIM CARD TRAY**
 MODEL NO: **MUP-C7902-31A&32A**
 TYPE : **With card cover**

PROJ.	UNIT	SCALE	DRAWN	Henry Ou.04.2018	DWG NO.:
	mm	1:1	CHECKED	Henry Ou.04.2018	DWG-MUP-C7902-31A
CUSTOMER DRAWING			APPROVAL	Simon 04.2018	SHEET
					1/1
					REVISION
					X1

