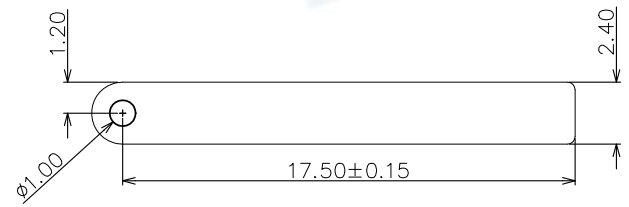
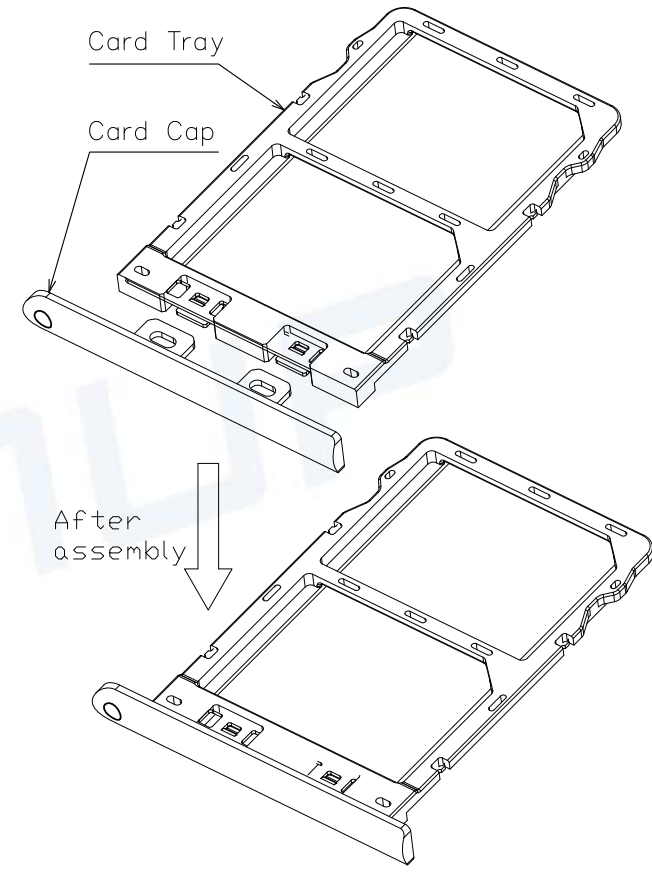
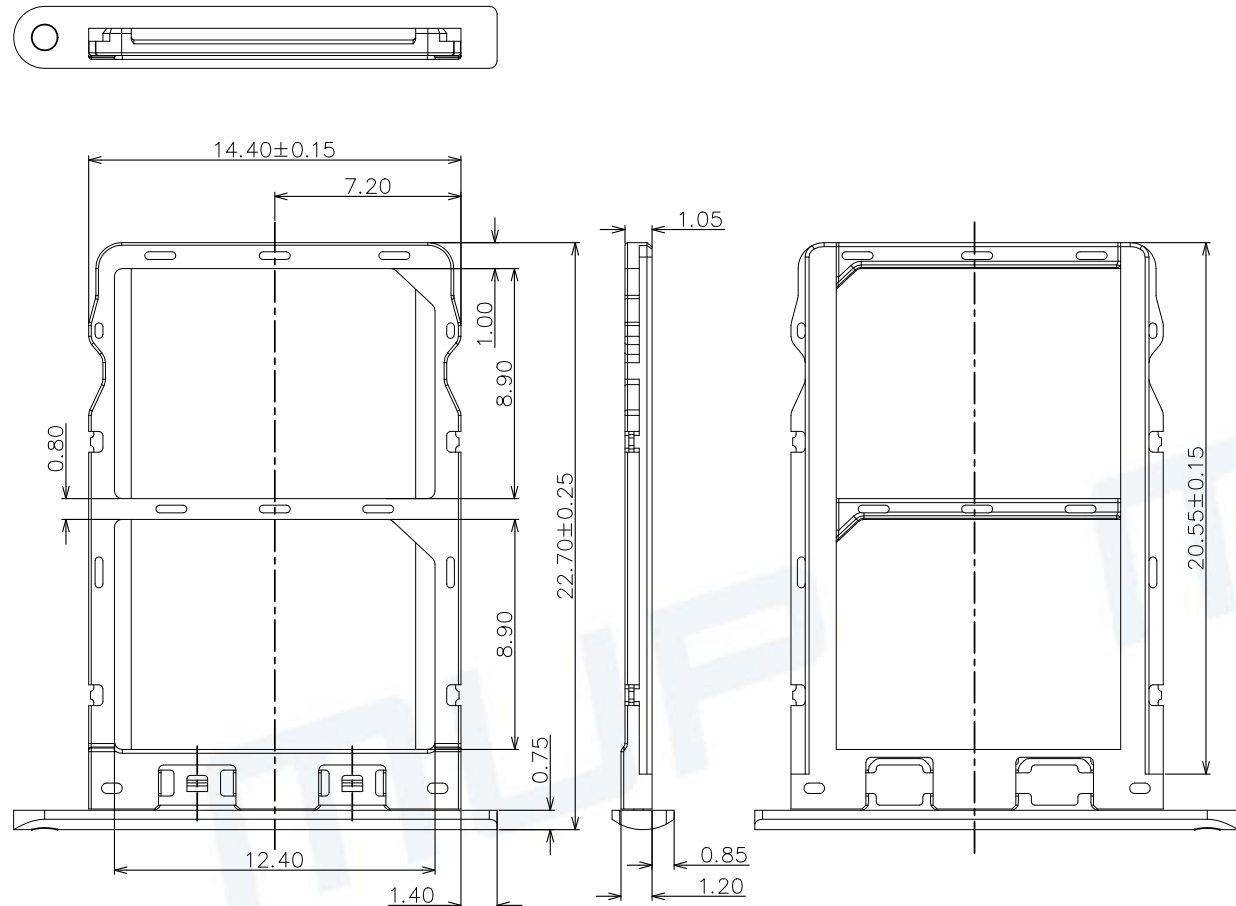


REV.	DESCRIPTION OF REVISIONS	APPR.	DRAW.	RELEASE	DATE
X1	NEW REVISION				Henry Nov.14.2018
X2					



NOTES:
MATERIAL:
HOUSING: LCP, BLACK;
Cap: Aluminum alloy, Silvery white
SHEET METAL: STAINLESS STEEL
SIM CARD CAP: Aluminium Alloy

ITEM	PART NAME	Q'TY	MATERIAL	FINISH
1	HOUSING	1	Hi-temp Thermoplastic	Black UL94V-0
2	SHEET METAL	1	Stainless Steel	
3	SIM CARD CAP	1	Aluminium Alloy	

Unless otherwise specified, other tolerance are:

X	±0.35	X*	±5°
X.X	±0.25	X.X*	±4°
X.XX	±0.15	X.XX*	±3°
X.XXX	±0.10	X.XXX*	±2°

MUP MUP INDUSTRIAL CO.,LTD.

NAME: **DUAL NANO-SIM Card Tray**
MODEL NO: **MUP-C787-31**
TYPE: **Tray With cap for Assembled Type**



PROJ. UNIT mm SCALE 1:1
CUSTOMER DRAWING

DRAWN	Henry Nov.14.2018	DWG NO.:	DWG-MUP-C787-31
CHECKED	Henry Nov.14.2018	SHEET	1/1
APPROVAL	Simon Nov.14.2018	REVISION	X1