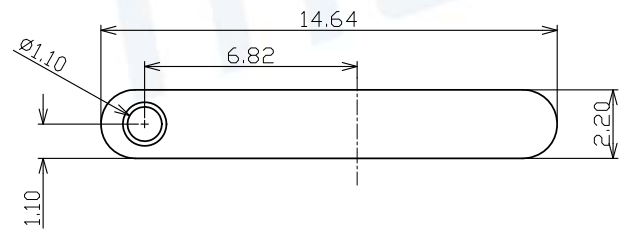
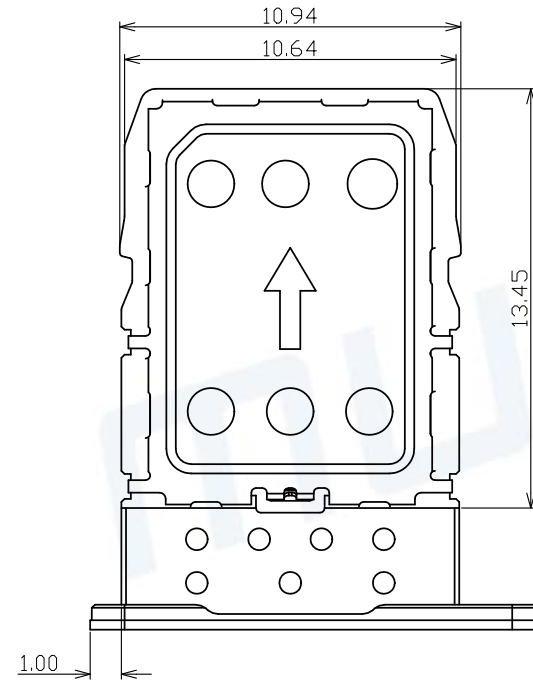
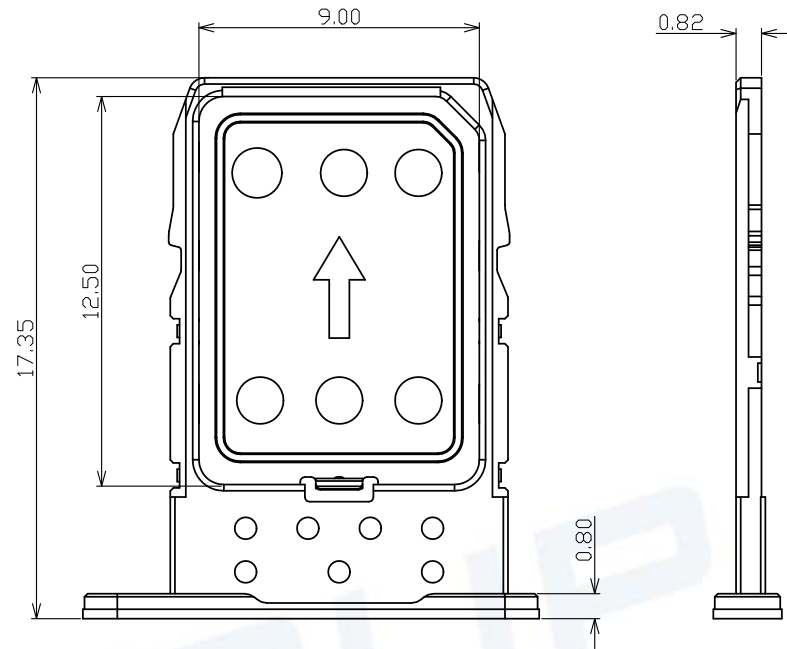


REV.	DESCRIPTION OF REVISIONS	APPR.	DRAW.	RELEASE	DATE
X1	NEW REVISION				HUABO NOV.29.2021



NOTES:
MATERIAL:
HOUSING: ABS+PC,red;
SHEET METAL: STAINLESS STEEL

ITEM	PART NAME	Q'TY	MATERIAL	FINISH
1	HOUSING	1	ABS+PC	UL94V-0
2	METAL SHEET	1	STAINLESS STEEL	No plated
3				

Unless otherwise specified, other tolerance are:

X	±0.35	X*	±5*
X.X	±0.25	X.X*	±4*
X.XX	±0.15	X.XX*	±3*
X.XXX	±0.10	X.XXX*	±2*

MUP MUP INDUSTRIAL CO.,LTD.

NAME: **NANO SIM CARD TRAY**

MODEL NO: **MUP-C7808-31**

TYPE: **Card tray**

PROJ.	UNIT	SCALE	DRAWN	HUABO NOV.29.2021	DWG NO.:
	mm	1:1	CHECKED	Henry NOV.29.2021	DWG-MUP-C7808-31
CUSTOMER DRAWING			APPROVAL	Simon NOV.29.2021	SHEET
					1/1
					REVISION
					X1

