

	COUNT	DESCRIPTION OF REVISIONS	BY	CHKD	DATE	COUNT	DESCRIPTION OF REVISIONS	BY	CHKD	DATE
①	8	RE-6-1422	JSH	JHW	19.06.10					

APPLICABLE STANDARD

RATING	OPERATING TEMPERATURE RANGE	-55℃ TO +85℃(note1)	STORAGE TEMPERATURE RANGE	-10℃ TO +60℃
	VOLTAGE	30 V AC/DC	APPLICABLE CONNECTOR	BK13C06-32DP2-0.35V(**)
	CURRENT	SIGNAL CONTACT 0.3A POWER CONTACT 5.0A		

SPECIFICATIONS

ITEM	TEST METHOD	REQUIREMENTS	QT	AT
------	-------------	--------------	----	----

CONSTRUCTION

GENERAL EXAMINATION	CONFIRMED VISUALLY AND BY MEASURING INSTRUMENT.	ACCORDING TO DRAWING.	X	X
MARKING	CONFIRMED VISUALLY.		X	X

ELECTRICAL CHARACTERISTICS

CONTACT RESISTANCE	20mV AC OR LESS 1kHz, 1mA	SIGNAL CONTACT : 50mΩ MAX ① POWER CONTACT : 15mΩ MAX ①	X	-
INSULATION RESISTANCE	100V DC	50MΩ MIN	X	-
VOLTAGE PROOF	100V AC FOR 1min.	NO FLASHOVER OR BREAKDOWN	X	-

MECHANICAL CHARACTERISTICS

INSERTION AND WITHDRAWAL FORCE ①	MEASURED BY APPLICABLE CONNECTOR. 30TIMES INSERTION AND WITHDRAWAL. TEST SPEED 10mm/min	① INSERTION FORCE : 40N MAX (INITIAL AND AFTER TEST) ② WITHDRAWAL FORCE INITIAL : 8N MIN (0.25N * PIN) AFTERT TEST : 6.4N MIN (0.2N * PIN)	X	-
MECHANICAL OPERATION	30 TIMES INSERTIONS AND EXTRACTIONS. ①	① CONTACT RESISTANCE: SIGNAL CONTACT : 70mΩ MAX ① POWER CONTACT : 30mΩ MAX ② NO DAMAGE, CRACK OR LOOSENESS OF PATRS.	X	-
VIBRATION	FREQUENCY 10 TO 55 TO 10 Hz, APPROX 5min SINGLE AMPLITUDE 0.75mm, 10CYCLES, FOR 3 DIRECTIONS.	① NO ELECTRICAL DISCONTINUITY OF 1μs. ② NO DAMAGE, CRACK OR LOOSENESS OF PARTS.	X	-
SHOCK	490 m/s² DURATION OF PULSE 11ms AT 3 TIMES FOR 3 DIRECTIONS.	① NO ELECTRICAL DISCONTINUITY OF 1μs. ② NO DAMAGE, CRACK OR LOOSENESS OF PARTS.	X	-

ENVIRONMENTAL CHARACTERISTICS

RAPID CHANGE OF TEMPERATURE	TEMPERATURE -55 → +85℃ TIME 30 → 30 min UNDER 5 CYCLES. (RELOCATION TIME TO CHAMBER: WITHIN2~3 MIN)	① CONTACT RESISTANCE: SIGNAL CONTACT : 70mΩ MAX ① POWER CONTACT : 30mΩ MAX ② INSULATION RESISTANCE: 50MΩ MIN ③ NO DAMAGE, CRACK OR LOOSENESS OF PARTS.	X	-
DAMP HEAT (STEADY STATE)	EXPOSED AT 40±2℃, 90 TO 95%, 96h.	① CONTACT RESISTANCE: SIGNAL CONTACT : 70mΩ MAX ① POWER CONTACT : 30mΩ MAX ② INSULATION RESISTANCE: 25MΩ MIN ③ NO DAMAGE, CRACK OR LOOSENESS OF PARTS.	X	-
SULPHUR DIOXIDE	EXPOSED IN 25 PPM FOR 96h, 25℃, 75±5%RH. (Test standard : JIS C 60068)	① CONTACT RESISTANCE: SIGNAL CONTACT : 70mΩ MAX ① POWER CONTACT : 30mΩ MAX ② NO DAMAGE, CRACK OR LOOSENESS OF PARTS.	X	-

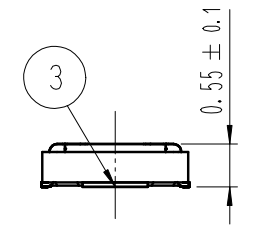
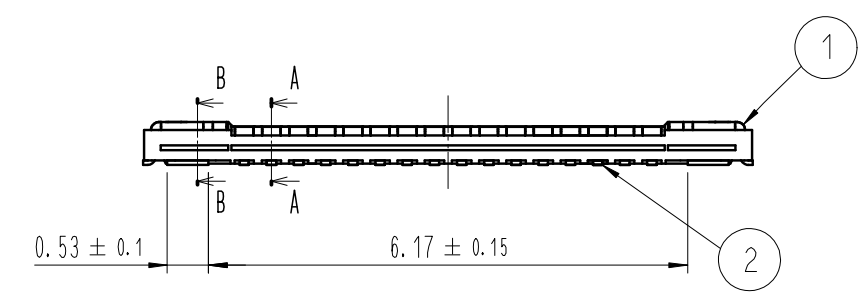
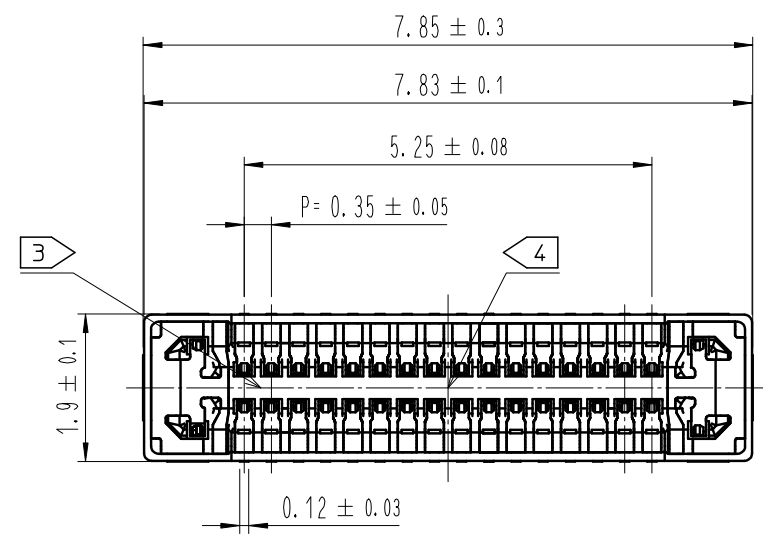
REMARKS	DRAWN	DESIGNED	CHECKED	APPROVED	RELEASED
Note 1 : INCLUDE THE TEMPERATURE RISING BY CURRENT.	S.H.JUNG	S.H.JUNG	H.W.JO	H.W.JO	ENG 19.06.10
Unless otherwise specified, refer to JIS C 5402 and IEC 60512	19.02.25	19.02.25	19.02.25	19.02.25	DEPT

Note QT: QUALIFICATION TEST AT: ASSURANCE TEST X: APPLICABLE TEST

HIROSE KOREA CO.,LTD.	SPECIFICATION SHEET	PART NO. BK13C06-32DS/2-0.35V(868)
-----------------------	---------------------	---------------------------------------

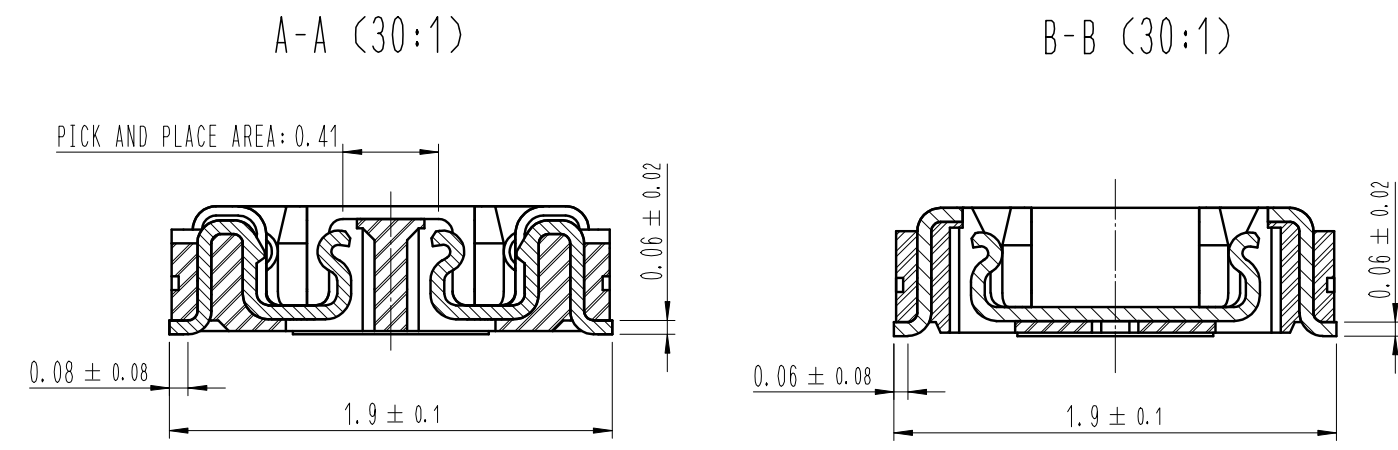
CODE NO.(OLD)	DRAWING NO. SLC4-632775-68	CODE NO. CL 6665-0012-4-868	1/1
---------------	-------------------------------	--------------------------------	-----

COUNT	DESCRIPTION OF REVISIONS	B	Y	CHKD	DATE	COUNT	DESCRIPTION OF REVISIONS	B	Y	CHKD	DATE
△						△					
△						△					
△						△					

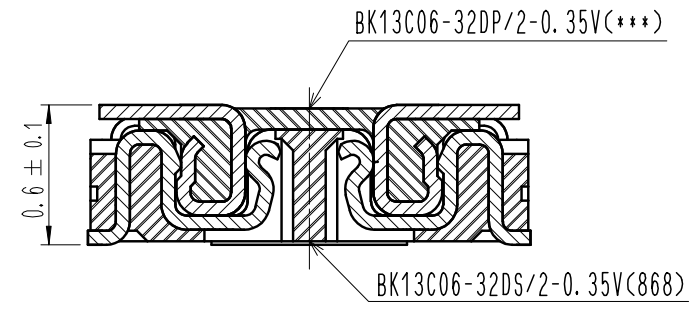


DRAWING FOR REFERENCE
This is subject to change without notice

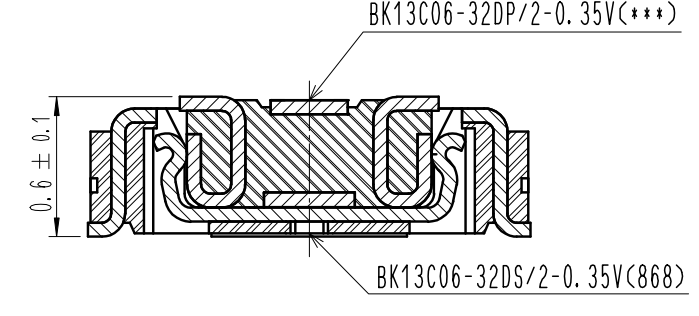
- NOTE
- 1. ALL LEAD CO-PLANARITY SHALL BE 0.08mm MAX.
 - 2. CONTACT PLATING SPECIFICATIONS
CONTACT AREA : GOLD 0.1μm MIN , Ni 2.0~7.6μm
SMT LEAD AREA : GOLD 0.076~0.2μm , Ni 2.0~7.6μm
(SURFACE : SEALING)
 - 3. CAV NO. ARE INDICATED IN APPROX POSITION SHOWN.
 - 4. LOT NO. ARE INDICATED.



ENGAGEMENT FIGURE (30:1)



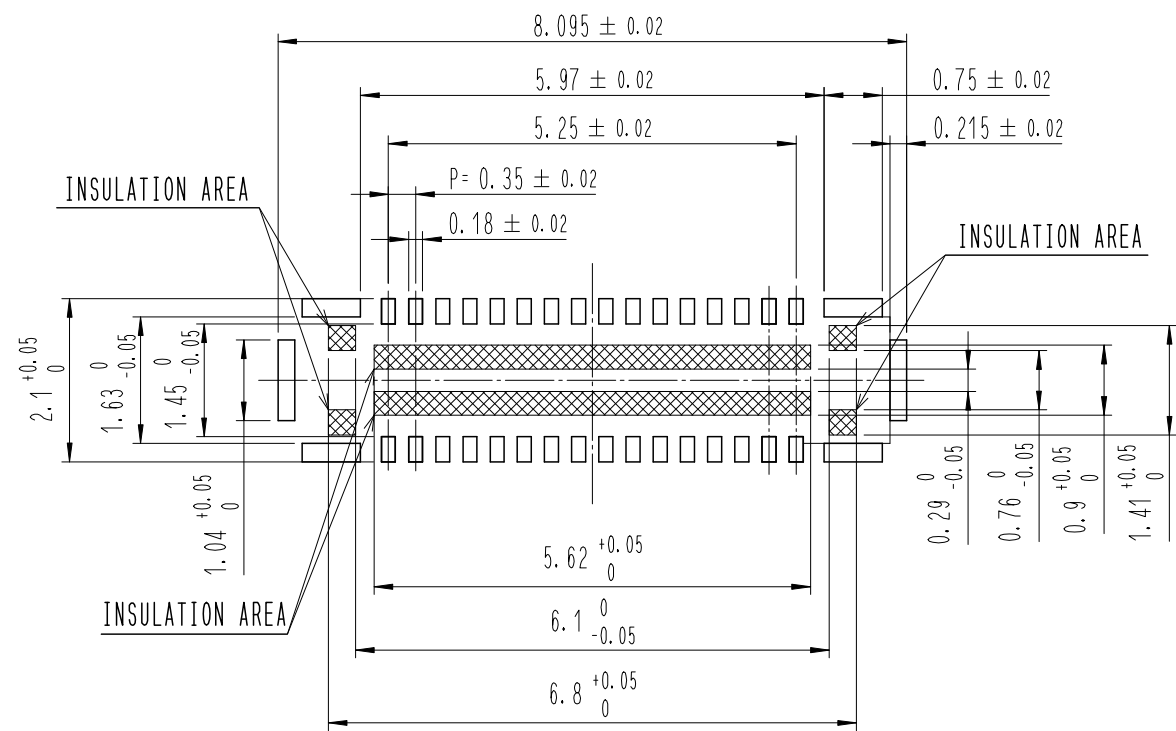
SIGNAL CONTACT



POWER CONTACT

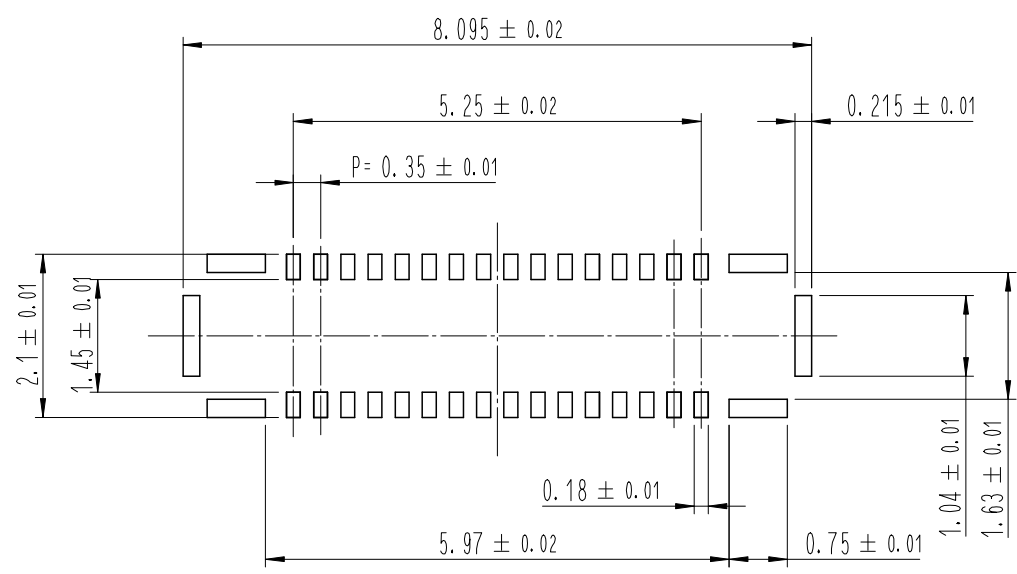
4	PS	CLEAR (EMBOSSED CARRIER TAPE)	7	PS	CLEAR (REINFORCEMENT COLLAR)
3	COPPER ALLOY	2	6	PS	BLACK (PLASTIC REEL)
2	COPPER ALLOY	2	5	POLYESTER	CLEAR (COVER TAPE)
1	LCP	UL94 V-0, BLACK			
NO.	MATERIAL	FINISH, REMARKS	NO.	MATERIAL	FINISH, REMARKS
REMARKS			DRAWN	DESIGNED	CHECKED
			S. H. JUNG	S. H. JUNG	H. W. JO
			19. 02. 25	19. 02. 25	19. 02. 25
			APPROVED	RELEASED	
			H. W. JO	19. 02. 25	19. 02. 25
CODE NO. (OLD)	DRAWING NO. EDC3-632775-68		PART NO. BK13C06-32DS/2-0.35V(868)		
SCALE 10:1	UNITS mm		CODE NO. CL 6665-0012-4-868		1/3
		HRS HIROSE KOREA CO., LTD.			

6 RECOMMENDED PCB LAYOUT

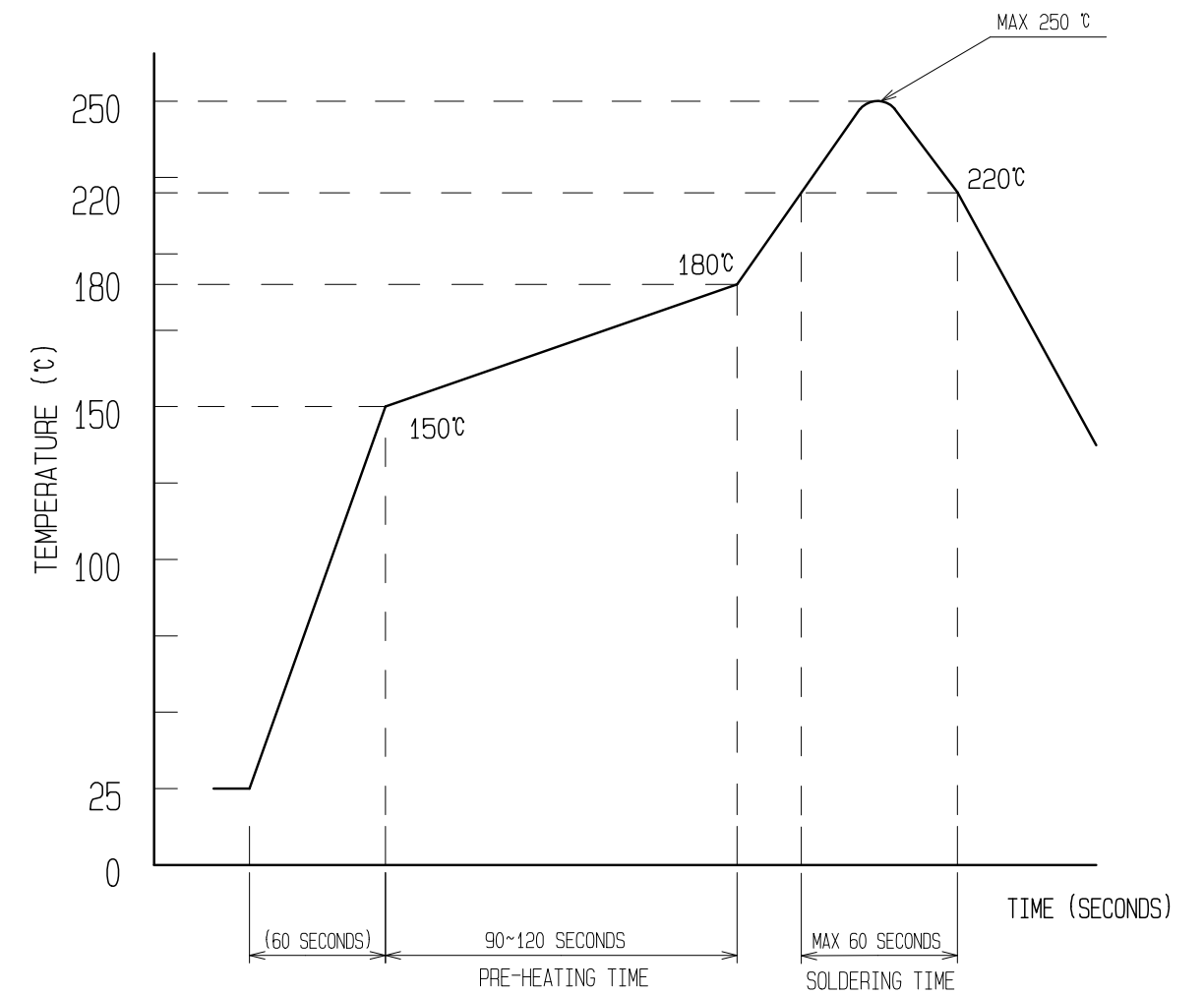


RECOMMENDED METAL MASK DIMENSIONS

METAL MASK THICKNESS : 80 μm



5 RECOMMENDED REFLOW TEMPERATURE PROFILE USING LEAD-FREE SOLDER PASTE.

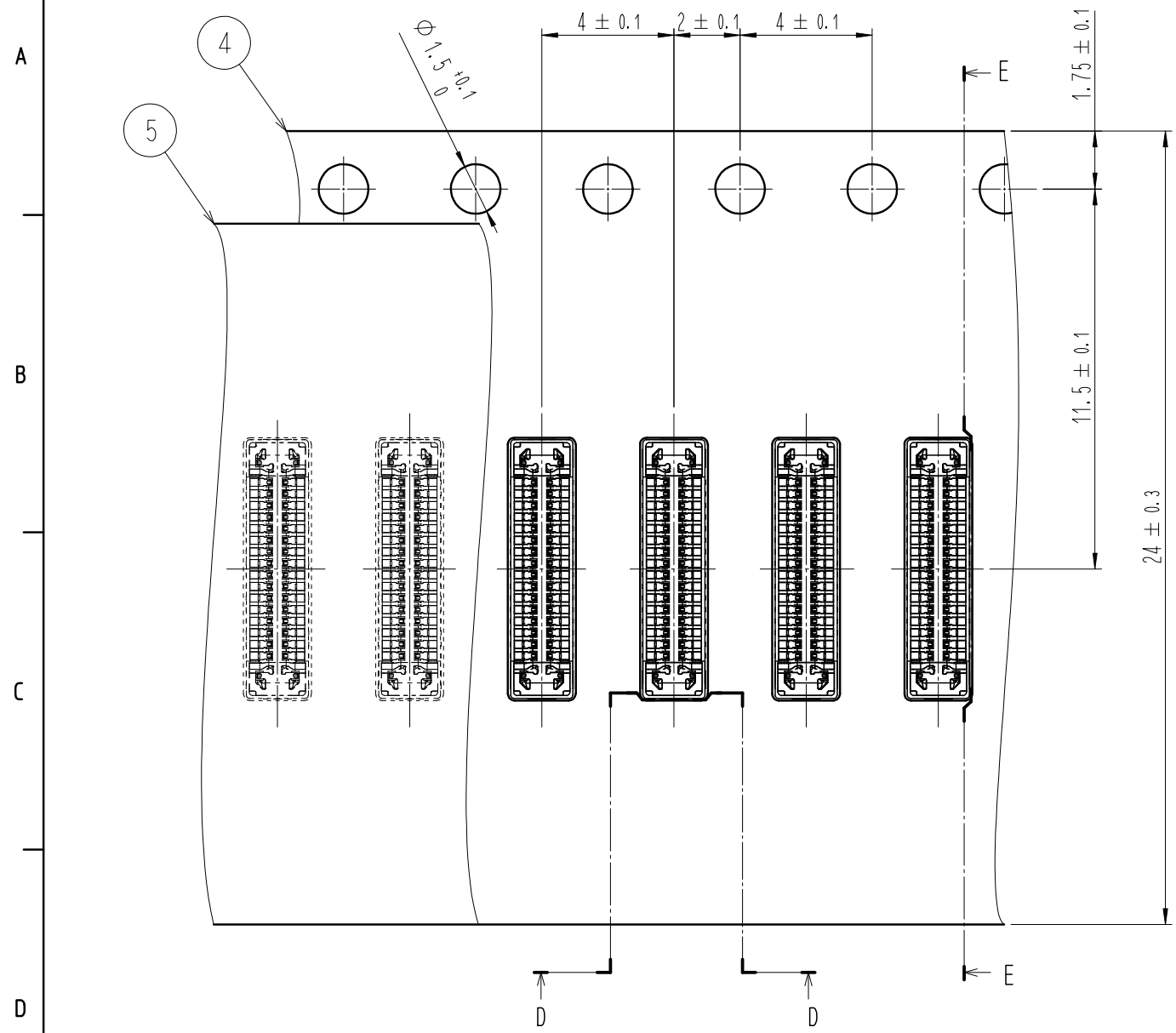


REFLOW METHOD : N₂REFLOW
 NUMBER OF REFLOW CYCLES : 2 CYCLES MAX.
 1) REFLOW TIME
 DURATION ABOVE 220°C, 60 SEC MAX.
 (PEAK TEMPERATURE : 250°C MAX)
 2) PRE-HEAT TIME
 PRE-HEAT TEMPERATURE(MIN): 150°C
 PRE-HEAT TEMPERATURE(MAX): 180°C
 PRE-HEAT TIME: 90-120 SEC.

- 5. THIS TEMPERATURE PROFILE IS PER THE CONDITIONS SHOWN ABOVE. ADDITIONAL FACTORS, SUCH AS SOLDER PASTE TYPE, PCB SIZE AND OTHER MOUNTED COMPONENTS COULD AFFECT THE PROFILE, THEREFORE, A THOROUGH EVALUATION OF MOUNTING CONDITION IS REQUIRED PRIOR TO PRODUCTION. TEMPERATURE IS MEASURED AT CONTACT LEAD.
- 6. PLEASE CONTACT US IN CASE YOU WILL MAKE DIFFERENT SETTINGS FROM OUR RECOMMENDATION.
- 7. THIS PRODUCT SATISFIES HALOGEN FREE REQUIREMENTS DEFINED AS 900ppm MAXIMUM CHLORINE, 900ppm MAXIMUM BROMINE, AND 1500ppm MAXIMUM TOTAL OF CHLORINE AND BROMINE.
- 8. THIS PRODUCT COMPLY WITH RoHS.

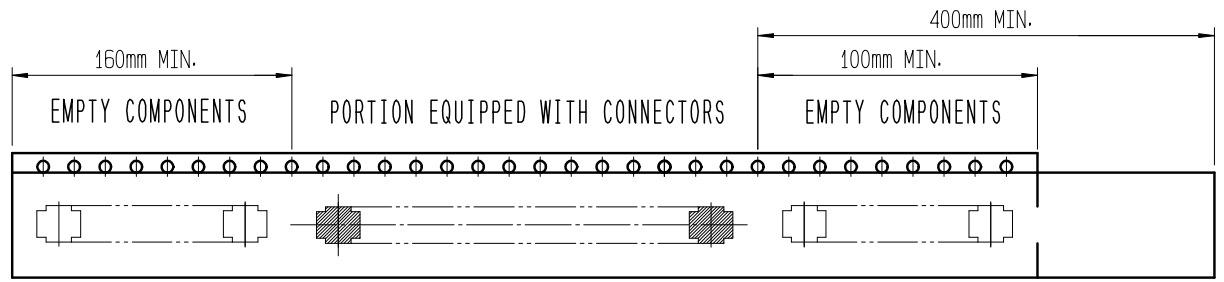
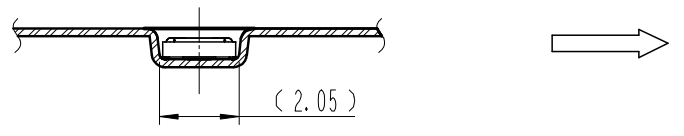
	DRAWING NO.	EDC3-632775-68	PART NO.	BK13C06-32DS/2-0.35V(868)
	SCALE	10:1	CODE NO	CL 6665-0012-4-868
UNITS	HRS HIROSE KOREA CO., LTD.			2/3

EMBOSSED CARRIER TAPE PACKAGING (5:1)



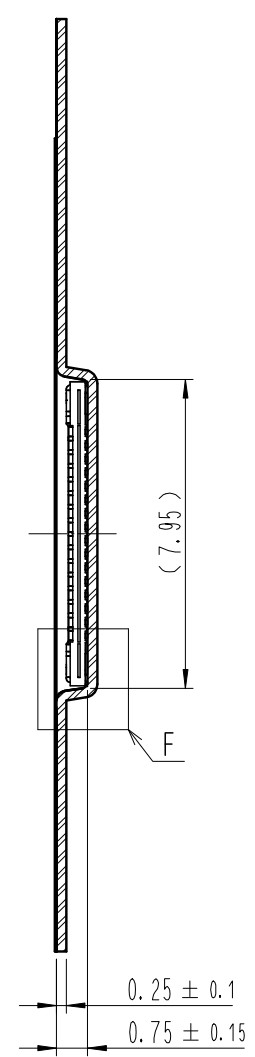
D-D (5:1)

DIRECTION OF UNREELING

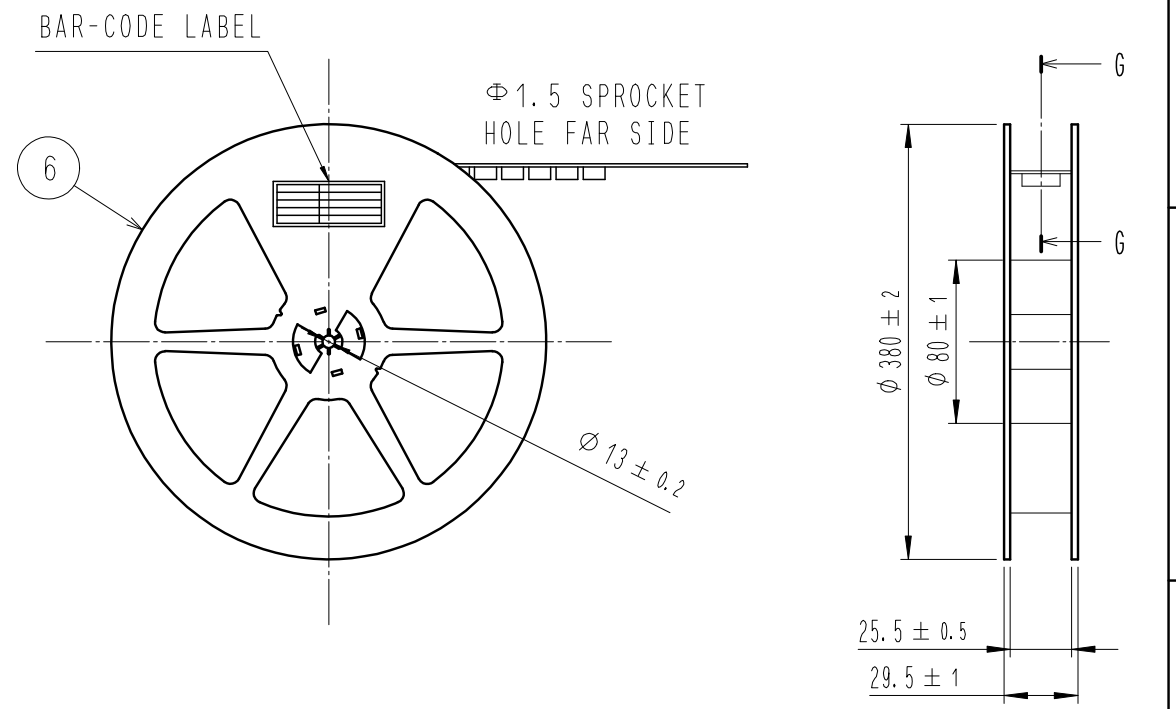


TAPING (FREE)

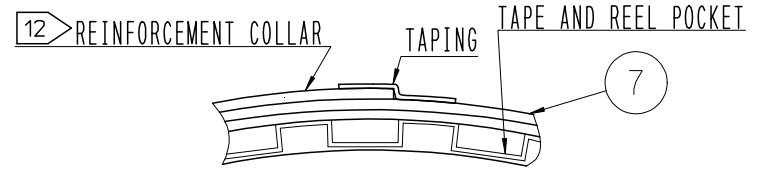
E-E (5:1)



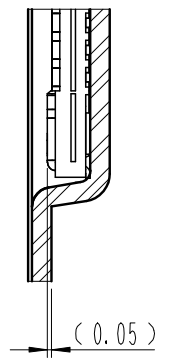
STYLE AND DIMENSION OF REEL (FREE)



G-G (FREE)



F (10:1)



DETAIL OF PART NO. LABEL

SUPPLIER	
QUANTITY	
PART NO.	
CODE NO.	
DATE OF MANUFACTURED	
生産月日	年 月 日
箱番	** ** *
品名	BK13C06-32DS/2-0.35V(868)
納入数量	20,000個
納入者	HIROSE KOREA

- 9 . PER REEL 20,000 CONNECTORS.
- 10 . THE DIMENSIONS IN PARENTHESES ARE FOR REFERENCE.
- 11 . REFER TO JIS C 0806, IEC-60286-3 (PACKAGING OF COMPONENTS FOR AUTOMATIC HANDLING)
- 12 . AFTER PACKAGING, ROLL 2 METERS OF THE REINFORCEMENT COLLAR TO OUTER CIRCUMFERENCE OF TAPE AND REEL POCKET. AND TAPE DOWN AT THE END THE COLLAR.

DRAWING NO.	EDC3-632775-68	PART NO.	BK13C06-32DS/2-0.35V(868)	
	SCALE		10:1	CODE NO.
UNITS	HRS HIROSE KOREA CO., LTD.			3/3