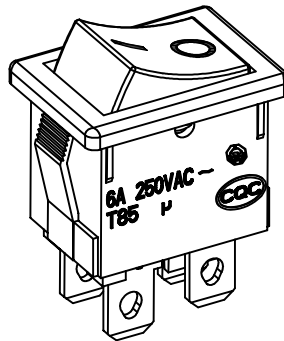
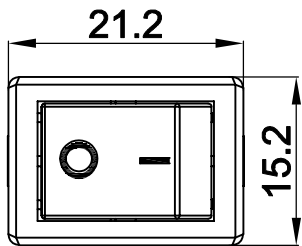


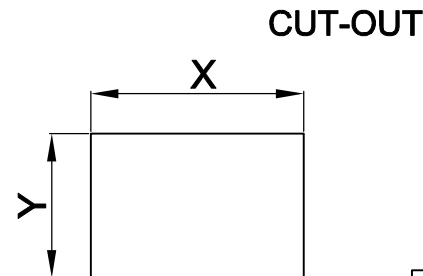
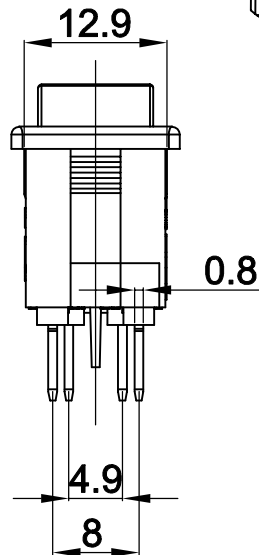
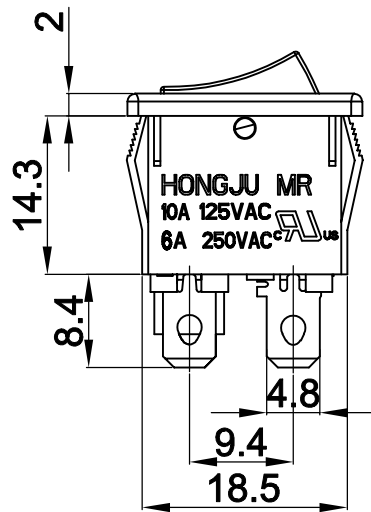


MR-6



Rating: 10A 125V AC (UL CUL)
 6A 250V AC (UL CUL TUV CB)

Contact Resistance: 50mΩ Max
 Insulation Resistance: DC 500V 100MΩ Min
 Dielectric Strength: AC1500V 1 minute
 Electrical life: 10,000 cycles
 Operating Temperature: 0°C~85°C



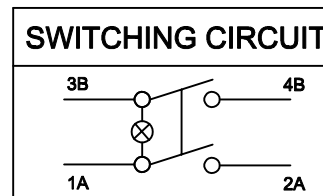
	X	Y
0.75~1.25	19.2-0.1	13.0+0.1
1.25~2.00	19.4-0.1	13.0+0.1
2.00~3.00	19.8-0.1	13.0+0.1

MATERIAL:

Body:Nylon66,UL rated:94V-2 min

Actuator:PC

Terminal:Brass,silver or tin plated



	X	0	1	2	4	5	6	7
Marking	None							

公差 TOLERANCES		.X± 0.3 .XX± 0.2		角度 ANGLE ± 1°		单位 DIMENSION UNIT mm.	
版本 VERSION	A1	比例尺 SCALE	NONE	日期 DATE	2021.3.15	品名 TITLE	图号 DRAWING NO
核准 APPROVED BY		核对 CHECKED BY	Z.H.B.	绘图 DRAWN BY		MR-6-210-C5E-BR	MR-6-210-C5E-BR-A1
版本 VER.	变更说明 CHANGE DESCRIPTION	日期 DATE	ECN NO.	APPROVED BY	CHECKED BY	DRAWN BY	