

Common Mode Choke CUW Series

**Automotive
AEC-Q200**

RoHS Compliant
Halogen Free
REACH Compliant



- Noise Suppression
- Unshield
- Wire Wound
- Ferrite
- General Signal line

Part Numbering

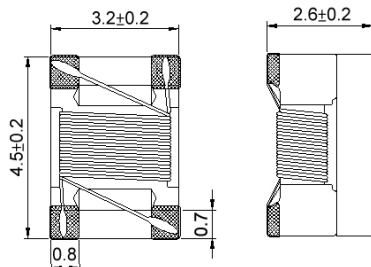
CUW	43	T	-	513	T	-	AU
Series Name	Dimensions Code (mm)	Category		Inductance (uH)	Tolerance		Internal Code
	43 4.5x3.2x2.6	T M		513 51 104 100	T ±30%		

Common Mode Choke CUW Series

**Automotive
AEC-Q200**

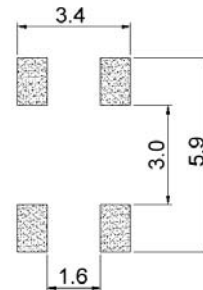
CUW43T - AU Type

■ Dimensions



unit:mm

■ Recommended Land Pattern



unit:mm

■ Electrical Characteristics

Part No.	Inductance (uH)	Test Freq.	Impedance (Ω)Min. (Ω)Typ.	Test Freq. (MHz)	RDC (Ω)Max.	Irms (mA)Max.	Rated Voltage (Vdc)Max.	Withstand Voltage (Vdc)	Insulation Resistance (MΩ)Min.	Tol. (±%)
CUW43T-113□-AU	11	100kHz,0.1V	300 600	10	0.6	250	50	125	10	30
CUW43T-223□-AU	22	100kHz,0.1V	500 1200	10	1	200	50	125	10	30
CUW43T-513□-AU	51	100kHz,0.1V	1000 2800	10	1	200	50	125	10	30
CUW43T-104□-AU	100	100kHz,0.1V	2000 5800	10	2	150	50	125	10	30

Note: When ordering, please specify tolerance code. Tolerance: T=±30%

1. Operating temperature range - 40°C ~ 125°C(Including self - temperature rise)
2. RDC: SINGLE WIRE TEST VALUE
3. I rms for 40°C rise above 25°C ambient.
4. Measure Equipment:
 Z: HP4286A / HP4287A / AgilentE4991A
 L: HP4284A+HP42841A/HP4285A+HP42841A
 RDC: CHROMA MILLIOM METER MODE 16502
 I rms: HP4284A+HP42841A/HP4285A+HP42841A
 Insulation Resistance: HP4339B

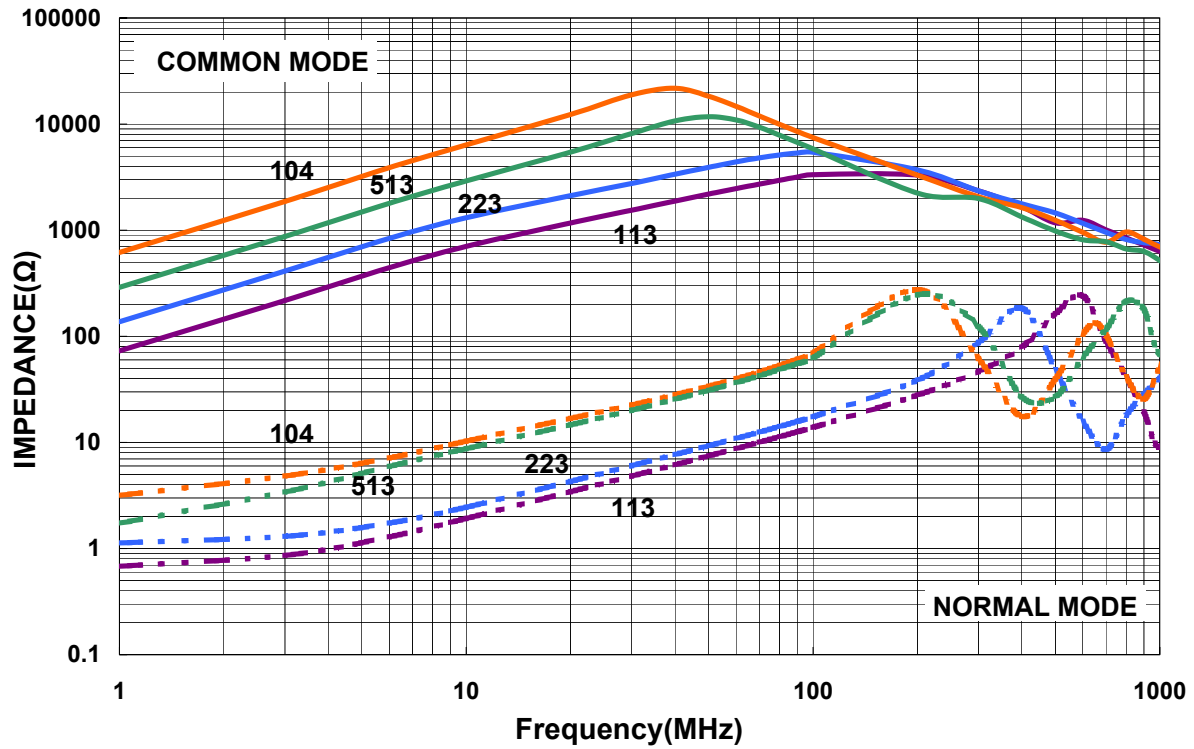
Common Mode Choke CUW Series

Automotive
AEC-Q200

CUW43T - AU Type

■ Characteristics Graph

Typical Impedance vs. Frequency Characteristics

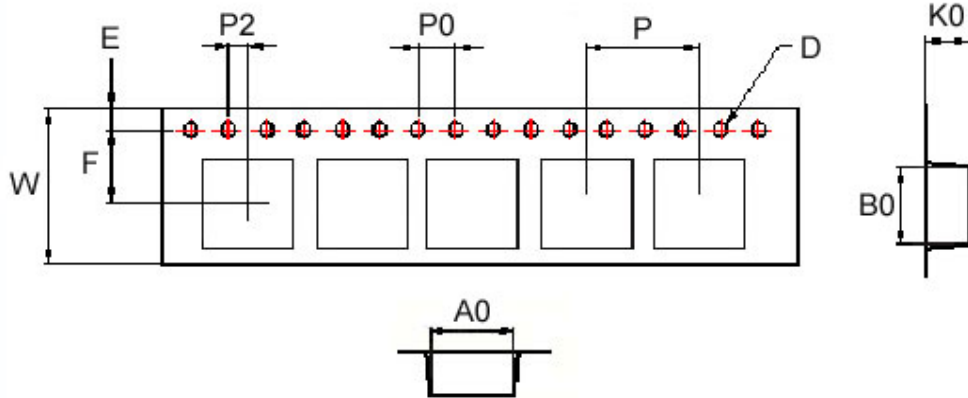


Common Mode Choke CUW Series

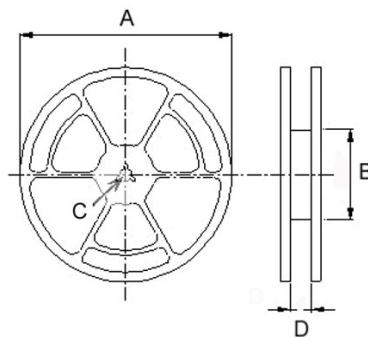
**Automotive
AEC-Q200**

■ Packaging

Tape Dimensions



Reel Dimensions



Dimensions in mm

TYPE	Tape Dimensions										Reel Dimensions				Quantity
	A0	B0	K0	D	E	F	W	P	P0	P2	A	B	C	D	PCS / REEL
CUW43	3.6	4.9	2.7	1.5	1.75	5.5	12	8	4	2	330	100	13	13.4	2500