

REVISION RECORD				
REV	ECN	DESCRIPTION	DRFT	DATE

NOTES1:

UL Standard

- 1.Rated voltage/current : 300V / 10A
- 2.Torque value : M2.6 , 3.01~3.54Lb.in
- 3.Wire range : 26~14AWG

IEC Standard

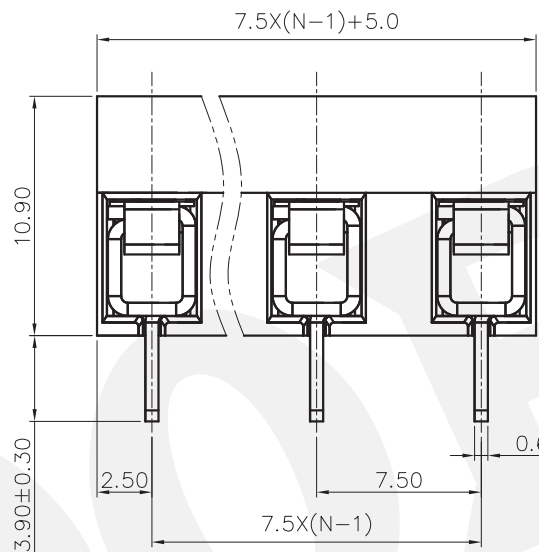
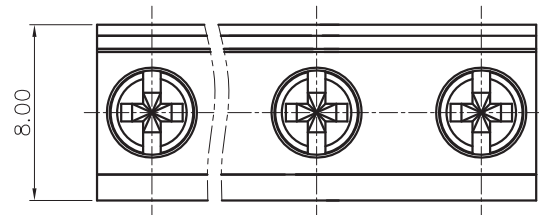
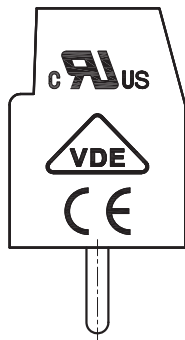
- 1.Rated voltage/current : 450V / 18A
- 2.Torque value : M2.6 , 0.34~0.40N·m
- 3.Wire range : 0.5~2.5mm²

NOTES2:

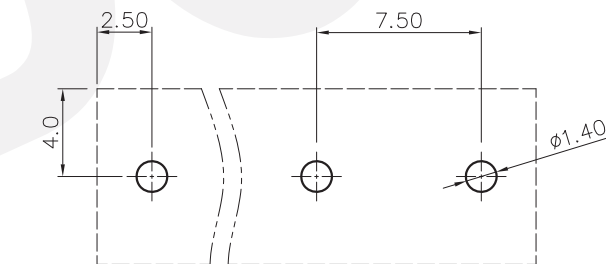
- 1.Dimension shall be interpreted per ASME Y14.5-2009
- 2.Pitch : 7.5mm, Poles : N=02~03P
- 3.Stripping length : 5-6mm
- 4.Withstanding voltage : AC2500V/1Min
- 5.Operating temperature: -40°C~+105°C
- 6.Undimensioned tolerances:

Pitch range in mm		Nominal dimension range in mm							
TO	Over	Over	Over	Over	Over	Over	0.1/10		
6	10	10	24	30	60	100	150		
±0.15	±0.20	±0.30	±0.30	±0.50	±0.70	±1.00	±1.30	±2*	

7.RoHS Compliance



DB126 - 7.5 - XXP - 1Y - 90A (H)
 (RoHS)
 90A-(Customer Request)
 (Series No.) (Pitch) (Poles) (Single Pitch) (Color): 1.(Grey)
 2.(Blue)
 3.(Black)
 4.(Green)
 5.(Orange)
 6.(Red)
 7.(Transparent)
 8.(Yellow)
 9.(White)



PCB LAYOUT

DETACHED LISTS	PART NO.:	/			
	APPD:	/			
	CHKD:	/			
	DRFT:	/			
	THIRD ANGLE PROJECTION		DRAWING NO.:		/
		NAME:		DORABO 慈溪市地博电子有限公司 CIXI DORABO ELECTRONICS CO.,LTD	
		TITLE:		CUSTOMER DRAWING	
		REV		DO	
		SHEET		1/1	
		SCALE		1:1	