

# RoHS

## MATERIAL LIST

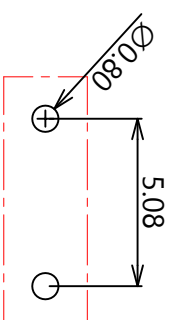
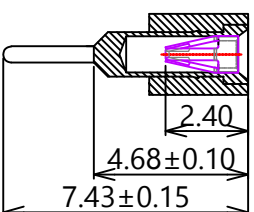
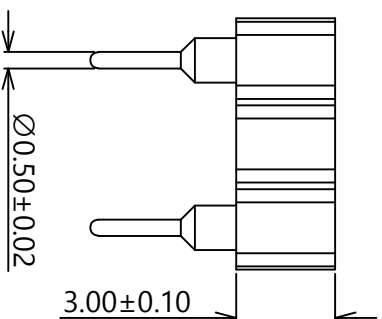
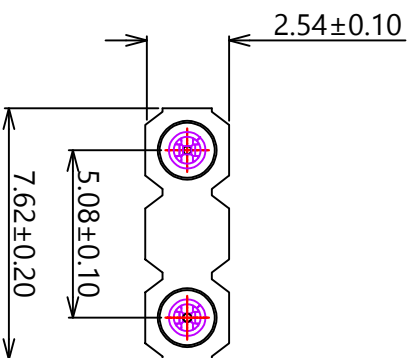
TEL: 0769-82001899

VER	DESCRIBE	NATE	DRAWN
A0	新图框编制	2020/08/29	姜光鸿

NO.	PART	MATERIAL	COATING/COLOR	QTY
1	HOUSING	PPS UL94V-0	BLACK	1
2	TERMINALS	BRASS	PLATING TIN	2

### Technical Data

Current rating: 3Amps  
Mating pin  $\varnothing$ : 0.38/0.56mm  
Forces: (polished steel gauge $\varnothing$ 0.43mm)  
-Insertion: 2N typ  
-Withdrawal: 1N typ  
Mechanical life: min 500cycles  
Contact resistance: max 10m $\Omega$   
Dielectric strength: min 1000V RMS  
Operalng temperature: -40° C to +105° C  
Soldering temperature: +255° C



Recommended P.C.B  
Layout ( $\pm$ 0.05)

TOLERANCE UNLESS OTHERWISE

X.  $\pm$ 0.30  
.X  $\pm$ 0.20  
.XX  $\pm$ 0.08  
.XXX  $\pm$ 0.03

X°  $\pm$ 5°  
.X°  $\pm$ 2°  
.XX°  $\pm$ 1°  
.XXX°  $\pm$ 0.5°

UNIT	mm
VIEW	
SCALE	1:1
NUMBER	

**XFCN** 兴飞连接器有限公司  
XFCN CONNECTORS CO., LTD.  
TYPE 保险丝座  
PART.NO. XF-502P

DRAWN	姜光鸿
CHKD	
APPD	
DATE	2020/08/29