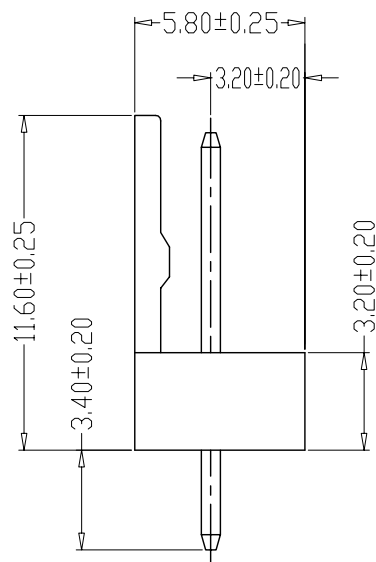
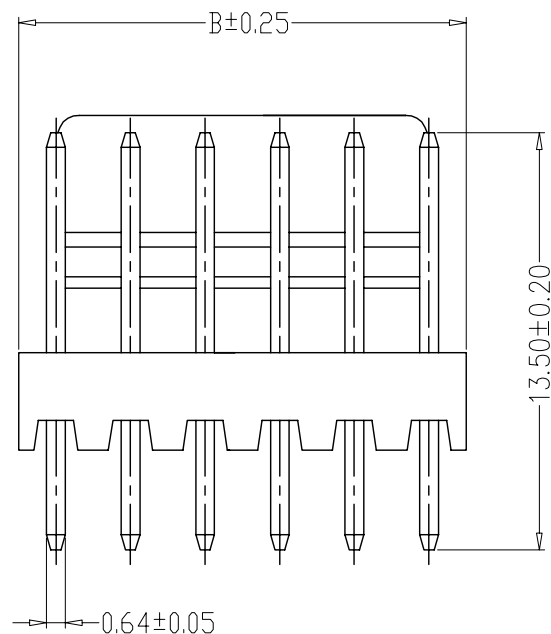


环保物料

TEL: 0769-82001899



**SPECIFICATIONS**

- 1. Voltage rating: 250V AC, DC
- 2. Current rating: 3A, AC, DC
- 3. Withstanding Voltage: 1000V AC/minute
- 4. Insulation resistance: 1000M min
- 5. Temperature range: -25 °C ~ +85 °C
- 6. Contact resistance: 20m max

WAFER

Housing Material: Nylon66 UL94V-0

Pin Material: Phosphor Bronze or Brass

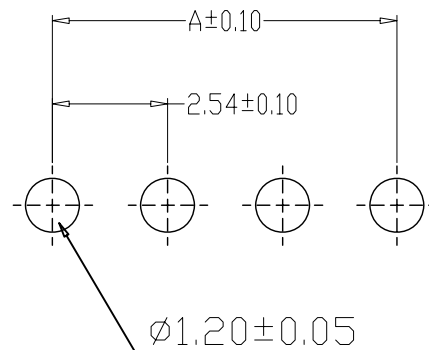
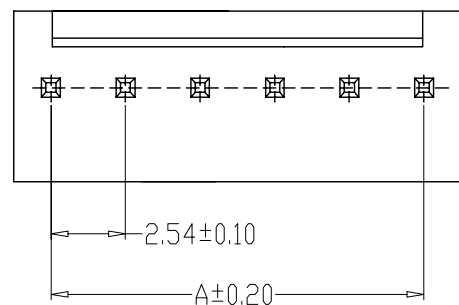
Contact Area Plating: Plated Tin or Plated Gold

Mates with :P2501 series Housing

Poles: 02-15P

Part No.: M2510V-xxP

Pin位数



**PCB LAYOUT**

编 号	尺寸 (mm)	
	A	B
02	2.54	5.08
03	5.08	7.62
04	7.62	10.16
05	10.16	12.70
06	12.70	15.24
07	15.24	17.78
08	17.78	20.32
09	20.32	22.86
10	22.86	25.40
11	25.40	27.94
12	27.94	30.48
20	48.26	50.80

AO	MODIFICATION	DRAW	DATE
VER			

TOLERANCE UNLESS OTHERWISE		DRAWN	CK tan
X.	±0.30	X°	±5°
.X	±0.20	.X°	±2°
.XX	±0.08	.XX°	±1°
.XXX	±0.03	.XXX°	±0.5°
VIEW		⊕	≡

**XFCN** 兴飞连接器有限公司  
XFCN CONNECTORS CO.,LTD.

PRODUCT NAME: 3.96mm Crimp Style Connectors

PART. NO.: M2510V-xxP

SHEET	1/1
DATE	2020.04.12
UNITS	mm
SCALE	1:1
DWG. NO.	009