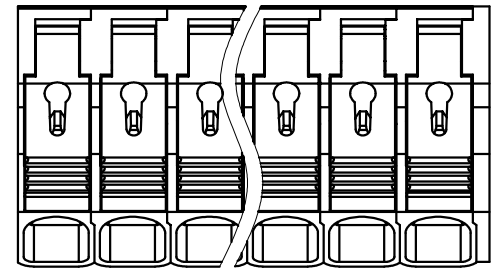


REVISION RECORD				
REV	ECN	DESCRIPTION	DRFT	DATE
A		NEW		22.9.3

NOTES1:  
 UL Standard  
 1.Rated voltage/current : 600V / 27A  
 2.Wire range : 24~10AWG

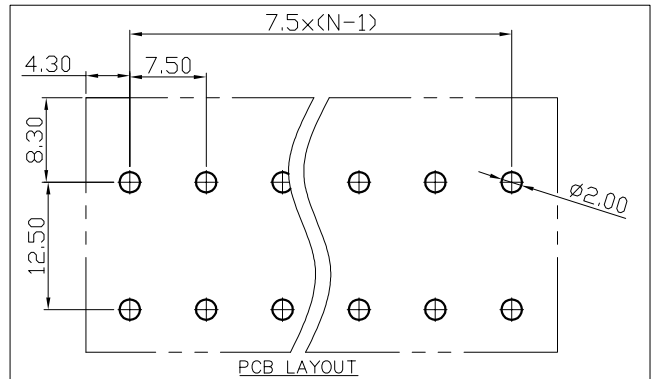
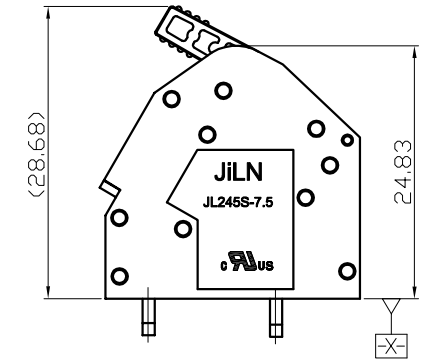
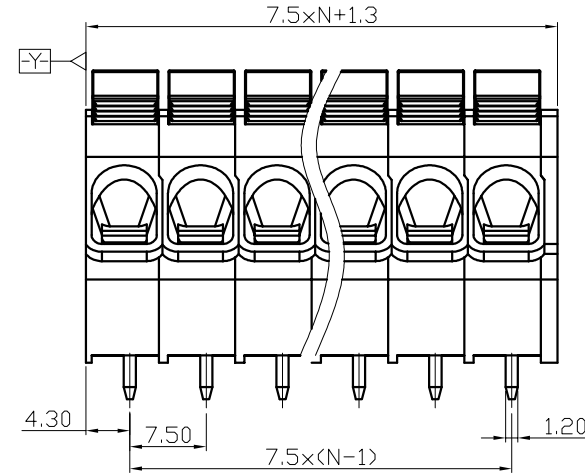
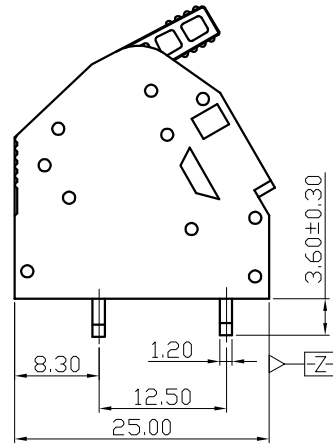
IEC Standard

1.	2	2	3
Pollution degree	II	III	III
Overvoltage category	II	III	III
Rate impulse voltage(KV)	8KV	8KV	8KV
Rate voltage(V)	1000V	1000V	1000V
Rate current(A)	41A		



NOTES2:  
 1.Dimension shall be interpreted per ASME Y14.5-2009  
 2.Pitch : 7.50mm, Poles : N=02~24P  
 3.Stripping length : 15~16mm  
 4.Operating temperature: -40°C~+105°C  
 5.Undimensioned tolerances:

Pitch range in mm		Nominal dimension range in mm						0.1/10
TO	Over	TO	Over	TO	Over	TO	Over	
6	6 TO 10	30	30 TO 60	60	60 TO 100	100	100 TO 150	<
	±0.15	±0.20	±0.30	±0.30	±0.50	±0.70	±1.00	±1.30
								±2°



6.RoHS Compliance

### Ordering Information

**JL245S - 750 XX G 0 1**

- Pitch 750=7.5PH
- No.of pins 1P~24P
- Housing Color: B=Black, G=Green, U=Blue, R=Red, W=White, Y=Yellow, O=Orange, E=Grey
- Packing: 0=Pe bag, T=Tube, A=Tray

DRAW	SHUANGPING ZHENG	SCALE	FIT	东莞市锦凌电子有限公司 DONGGUAN JINLING ELECTRONIC CO.,LTD	
		UNIT	mm		
CHECK	LICHAD LIU	SIZE	A4		
		SHEET	1/1		
APPROVE	YONGLIANG GAO	PROJ.		PART NO.	JL245S-750XXG01
				TITLE:	JL245S-7.5-XXP弹簧式/绿色