

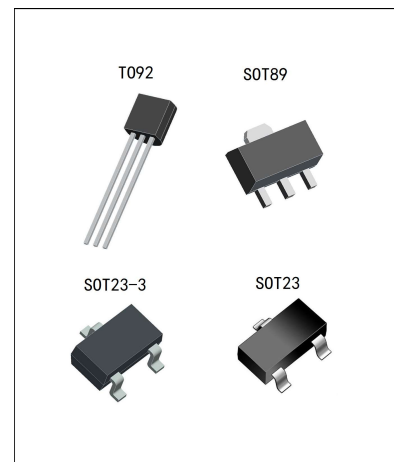
Low Power Voltage Detector

H70xxA-1

General Description

The H70XXA-1 series devices are a set of three terminal low power voltage detectors implemented in CMOS technology. Each voltage detector in the series detects a particular fixed voltage ranging from 2.2V to 7.0V. The voltage detectors consist of a high-precision and low power consumption standard voltage source as well as a comparator, hysteresis circuit, and an output driver. CMOS technology ensures low power consumption.

Although designed primarily as fixed voltage detectors, these devices can be used with external components to detect user specified threshold voltages.



Features

- Low power consumption
- Low temperature coefficient
- Built-in hysteresis characteristic
- High input voltage (up to 15V)
- Output voltage accuracy: tolerance $\pm 1\%$ or $\pm 2\%$
- TO92, SOT89, SOT23 and SOT23-3 package

Applications

- Battery checkers
- Level selectors
- Power failure detectors
- Microcomputer reset
- Battery memory backup
- Non-volatile RAM signal storage protectors

Order Information

| Part No | Detectable Voltage | Hysteresis Width | Tolerance |
|----------|--------------------|------------------|-----------|
| H7022A-1 | 2.2V | 0.11V | ±2% |
| H7024A-1 | 2.4V | 0.12V | ±2% |
| H7027A-1 | 2.7V | 0.135V | ±2% |
| H7030A-1 | 3.0V | 0.15V | ±2% |
| H7033A-1 | 3.3V | 0.165V | ±2% |
| H7036A-1 | 3.6V | 0.18V | ±2% |
| H7039A-1 | 3.9V | 0.195V | ±2% |
| H7040A-1 | 4.0V | 0.2V | ±2% |
| H7044A-1 | 4.4V | 0.22V | ±2% |
| H7050A-1 | 5.0V | 0.25V | ±2% |
| H7070A-1 | 7.0V | 0.35V | ±2% |

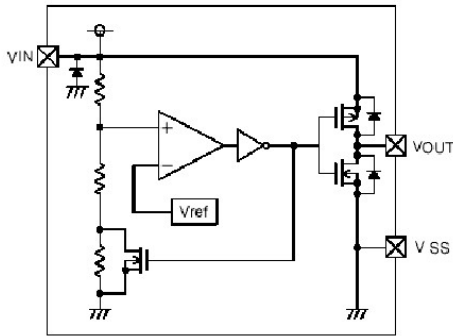
| Package | Manner of Packing | Devices per bag/reel |
|---------|-------------------|----------------------|
| TO92 | Bag | 1000PCS/bag |
| SOT89 | Reel | 1000PCS/reel |
| SOT23-3 | Reel | 3000PCS/reel |
| SOT23 | Reel | 3000PCS/reel |

Note:H70①②A-1③④⑤

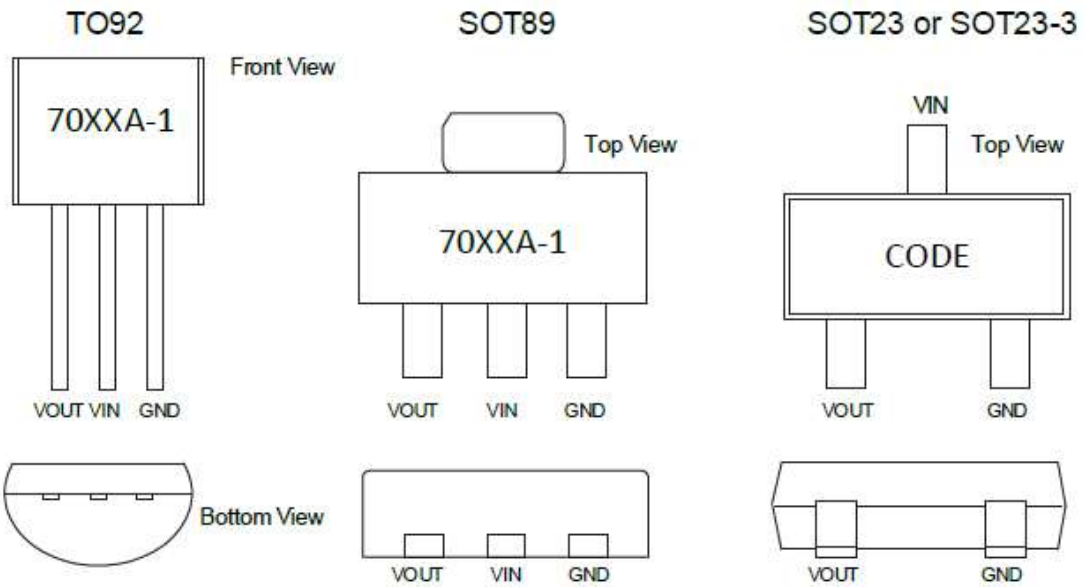
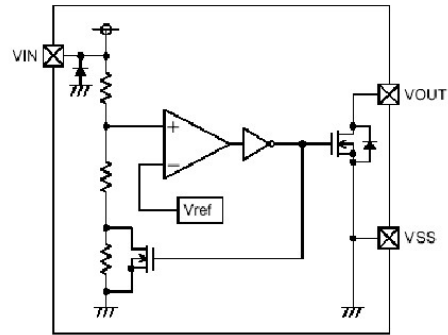
| Designator | Symbol | Description |
|------------|---------|--------------------------|
| ①② | Integer | Output Voltage(2.2~7.0V) |
| ③ | N | NMOS |
| | C | CMOS |
| ④ | T | Package:TO-92 |
| | P | Package:SOT89 |
| | M | Package:SOT23-3 |
| | N | Package:SOT23 |
| ⑤ | R | RoHS / Pb Free |
| | G | Halogen Free |

Block Diagram and Pin Arrangement Diagram

(1) CMOS Output



(2) N-ch Open Drain Output

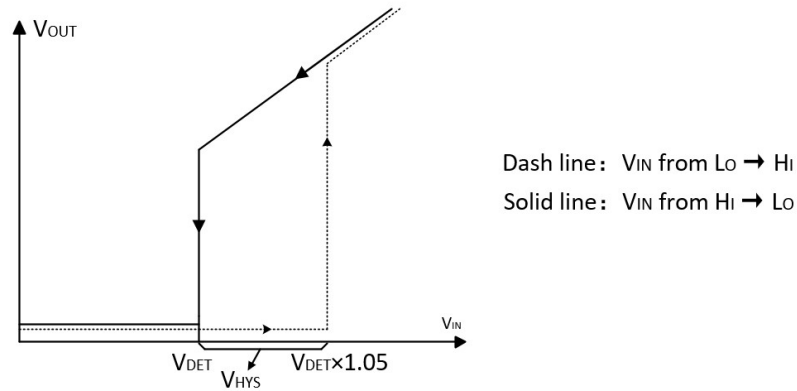


Pin Assignment

| Pin No. | Pin Name | Description |
|---------|----------|-----------------------|
| 1 | VOUT | Output. |
| 2 | VIN | Supply Voltage Input. |
| 3 | GND | Ground connection. |

Output Table & Curve

| | | |
|-----------|-----------------------|--------------------------|
| V_{DD} | $V_{DD} > V_{DET}(+)$ | $V_{DD} \leq V_{DET}(-)$ |
| V_{OUT} | Hi-Z | V_{SS} |



Functional Description

The H70XXA-1 series devices are a set of three terminal low power voltage detectors implemented in CMOS technology. Each voltage detector in the series detects a particular fixed voltage ranging from 2.2V to 7.0V.

Absolute Maximum Ratings

| Parameter | Symbol | Value | Unit |
|-----------------------|-----------|---------|------|
| Supply Voltage Input | V_{IN} | -0.3~16 | V |
| Operating Temperature | T_{amb} | -40~85 | °C |
| Storage Temperature | T_{stg} | -50~125 | °C |

Note: These are stress ratings only. Stresses exceeding the range specified under "Absolute Maximum Ratings" may cause substantial damage to the device. prolonged exposure to extreme conditions may affect device reliability.

Thermal Information

| Parameter | Symbol | Package | Max. | Unit |
|------------------------------------------------------------------------------------|---------------|---------|------|------|
| Thermal Resistance (Junction to Ambient) (Assume no ambient airflow, no heat sink) | θ_{JA} | SOT23 | 500 | °C/W |
| | | SOT89 | 200 | °C/W |
| | | TO92 | 200 | °C/W |
| Power Dissipation | P_D | SOT23 | 0.20 | W |
| | | SOT89 | 0.50 | W |
| | | TO92 | 0.50 | W |

Electrical Characteristics

H7022A-1XXX, Ta=25°C

| Parameter | Symbol | Test Conditions | | Min. | Typ. | Max. | Unit |
|-------------------------|-------------------------------------|-----------------|------------------------|---------------------------|---------------------------|---------------------------|-----------|
| | | V _{DD} | Conditions | | | | |
| Detection Voltage | V _{DET} | - | - | 2.156 | 2.200 | 2.244 | V |
| Hysteresis Width | V _{HYS} | - | - | 0.02* V _{DET} | 0.05* V _{DET} | 0.10* V _{DET} | V |
| Operating Current | I _{DD} | 8V | No Load | - | 2 | 3 | μA |
| Operating Voltage | V _{DD} | - | - | 1.5 | - | 16 | V |
| Output Sink Current | I _{OL} | 2V | V _{OUT} =0.2V | 0.5 | 1 | - | mA |
| Temperature Coefficient | $\frac{\Delta V_{DET}}{\Delta T_a}$ | - | 0°C <Ta<70°C | - | ±0.9 | - | mV/ °C |

H7024A-1XXX, Ta=25°C

| Parameter | Symbol | Test Conditions | | Min. | Typ. | Max. | Unit |
|-------------------------|-------------------------------------|-----------------|------------------------|---------------------------|---------------------------|---------------------------|-----------|
| | | V _{DD} | Conditions | | | | |
| Detection Voltage | V _{DET} | - | - | 2.352 | 2.400 | 2.448 | V |
| Hysteresis Width | V _{HYS} | - | - | 0.02* V _{DET} | 0.05* V _{DET} | 0.10* V _{DET} | V |
| Operating Current | I _{DD} | 8V | No Load | - | 2 | 3 | μA |
| Operating Voltage | V _{DD} | - | - | 1.5 | - | 16 | V |
| Output Sink Current | I _{OL} | 2V | V _{OUT} =0.2V | 0.5 | 1 | - | mA |
| Temperature Coefficient | $\frac{\Delta V_{DET}}{\Delta T_a}$ | - | 0°C <Ta<70°C | - | ±0.9 | - | mV/ °C |

H7027A-1XXX, Ta=25°C

| Parameter | Symbol | Test Conditions | | Min. | Typ. | Max. | Unit |
|-------------------------|-------------------------------------|-----------------|------------------------|---------------------------|---------------------------|---------------------------|-----------|
| | | V _{DD} | Conditions | | | | |
| Detection Voltage | V _{DET} | - | - | 2.646 | 2.700 | 2.754 | V |
| Hysteresis Width | V _{HYS} | - | - | 0.02* V _{DET} | 0.05* V _{DET} | 0.10* V _{DET} | V |
| Operating Current | I _{DD} | 8V | No Load | - | 2 | 3 | μA |
| Operating Voltage | V _{DD} | - | - | 1.5 | - | 16 | V |
| Output Sink Current | I _{OL} | 2V | V _{OUT} =0.2V | 0.5 | 1 | - | mA |
| Temperature Coefficient | $\frac{\Delta V_{DET}}{\Delta T_a}$ | - | 0°C <Ta<70°C | - | ±0.9 | - | mV/ °C |

H7030A-1XXX, Ta=25°C

| Parameter | Symbol | Test Conditions | | Min. | Typ. | Max. | Unit |
|-------------------------|-------------------------------------|-----------------|------------------------|---------------------------|---------------------------|---------------------------|-----------|
| | | V _{DD} | Conditions | | | | |
| Detection Voltage | V _{DET} | - | - | 2.940 | 3.000 | 3.060 | V |
| Hysteresis Width | V _{HYS} | - | - | 0.02* V _{DET} | 0.05* V _{DET} | 0.10* V _{DET} | V |
| Operating Current | I _{DD} | 8V | No Load | - | 2 | 3 | μA |
| Operating Voltage | V _{DD} | - | - | 1.5 | - | 16 | V |
| Output Sink Current | I _{OL} | 2V | V _{OUT} =0.2V | 1.2 | 2.5 | - | mA |
| Temperature Coefficient | $\frac{\Delta V_{DET}}{\Delta T_a}$ | - | 0°C <Ta<70°C | - | ±0.9 | - | mV/ °C |

H7033A-1XXX, Ta=25°C

| Parameter | Symbol | Test Conditions | | Min. | Typ. | Max. | Unit |
|-------------------------|-------------------------------------|-----------------|------------------------|---------------------------|---------------------------|---------------------------|-----------|
| | | V _{DD} | Conditions | | | | |
| Detection Voltage | V _{DET} | - | - | 3.234 | 3.300 | 3.366 | V |
| Hysteresis Width | V _{HYS} | - | - | 0.02* V _{DET} | 0.05* V _{DET} | 0.10* V _{DET} | V |
| Operating Current | I _{DD} | 8V | No Load | - | 2 | 3 | μA |
| Operating Voltage | V _{DD} | - | - | 1.5 | - | 16 | V |
| Output Sink Current | I _{OL} | 2V | V _{OUT} =0.2V | 1.2 | 2.5 | - | mA |
| Temperature Coefficient | $\frac{\Delta V_{DET}}{\Delta T_a}$ | - | 0°C <Ta<70°C | - | ±0.9 | - | mV/ °C |

H7036A-1XXX, Ta=25°C

| Parameter | Symbol | Test Conditions | | Min. | Typ. | Max. | Unit |
|-------------------------|-------------------------------------|-----------------|------------------------|---------------------------|---------------------------|---------------------------|-----------|
| | | V _{DD} | Conditions | | | | |
| Detection Voltage | V _{DET} | - | - | 3.528 | 3.600 | 3.672 | V |
| Hysteresis Width | V _{HYS} | - | - | 0.02* V _{DET} | 0.05* V _{DET} | 0.10* V _{DET} | V |
| Operating Current | I _{DD} | 8V | No Load | - | 2 | 3 | μA |
| Operating Voltage | V _{DD} | - | - | 1.5 | - | 16 | V |
| Output Sink Current | I _{OL} | 2V | V _{OUT} =0.2V | 1.2 | 2.5 | - | mA |
| Temperature Coefficient | $\frac{\Delta V_{DET}}{\Delta T_a}$ | - | 0°C <Ta<70°C | - | ±0.9 | - | mV/ °C |

H7039A-1XXX, Ta=25°C

| Parameter | Symbol | Test Conditions | | Min. | Typ. | Max. | Unit |
|-------------------------|-------------------------------------|-----------------|------------------------|---------------------------|---------------------------|---------------------------|-----------|
| | | V _{DD} | Conditions | | | | |
| Detection Voltage | V _{DET} | - | - | 3.822 | 3.900 | 3.978 | V |
| Hysteresis Width | V _{HYS} | - | - | 0.02* V _{DET} | 0.05* V _{DET} | 0.10* V _{DET} | V |
| Operating Current | I _{DD} | 8V | No Load | - | 2 | 3 | μA |
| Operating Voltage | V _{DD} | - | - | 1.5 | - | 16 | V |
| Output Sink Current | I _{OL} | 2V | V _{OUT} =0.2V | 1.2 | 2.5 | - | mA |
| Temperature Coefficient | $\frac{\Delta V_{DET}}{\Delta T_a}$ | - | 0°C <Ta<70°C | - | ±0.9 | - | mV/ °C |

H7040A-1XXX, Ta=25°C

| Parameter | Symbol | Test Conditions | | Min. | Typ. | Max. | Unit |
|-------------------------|-------------------------------------|-----------------|------------------------|---------------------------|---------------------------|---------------------------|-----------|
| | | V _{DD} | Conditions | | | | |
| Detection Voltage | V _{DET} | - | - | 3.920 | 4.000 | 4.080 | V |
| Hysteresis Width | V _{HYS} | - | - | 0.02* V _{DET} | 0.05* V _{DET} | 0.10* V _{DET} | V |
| Operating Current | I _{DD} | 8V | No Load | - | 2 | 3 | μA |
| Operating Voltage | V _{DD} | - | - | 1.5 | - | 16 | V |
| Output Sink Current | I _{OL} | 2V | V _{OUT} =0.2V | 1.2 | 2.5 | - | mA |
| Temperature Coefficient | $\frac{\Delta V_{DET}}{\Delta T_a}$ | - | 0°C <Ta<70°C | - | ±0.9 | - | mV/ °C |

H7044A-1XXX, Ta=25°C

| Parameter | Symbol | Test Conditions | | Min. | Typ. | Max. | Unit |
|-------------------------|-------------------------------------|-----------------|------------------------|---------------------------|---------------------------|---------------------------|-----------|
| | | V _{DD} | Conditions | | | | |
| Detection Voltage | V _{DET} | - | - | 4.312 | 4.400 | 4.488 | V |
| Hysteresis Width | V _{HYS} | - | - | 0.02* V _{DET} | 0.05* V _{DET} | 0.10* V _{DET} | V |
| Operating Current | I _{DD} | 8V | No Load | - | 2 | 3 | μA |
| Operating Voltage | V _{DD} | - | - | 1.5 | - | 16 | V |
| Output Sink Current | I _{OL} | 2V | V _{OUT} =0.2V | 3 | 6 | - | mA |
| Temperature Coefficient | $\frac{\Delta V_{DET}}{\Delta T_a}$ | - | 0°C <Ta<70°C | - | ±0.9 | - | mV/ °C |

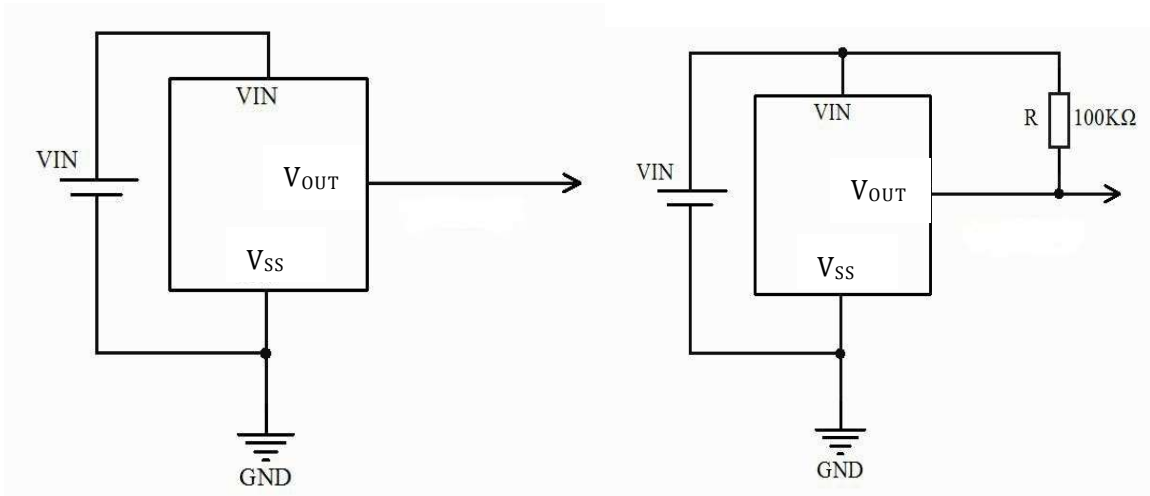
H7050A-1XXX, Ta=25°C

| Parameter | Symbol | Test Conditions | | Min. | Typ. | Max. | Unit |
|-------------------------|-------------------------------------|-----------------|------------------------|---------------------------|---------------------------|---------------------------|-----------|
| | | V _{DD} | Conditions | | | | |
| Detection Voltage | V _{DET} | - | - | 4.900 | 5.000 | 5.100 | V |
| Hysteresis Width | V _{HYS} | - | - | 0.02* V _{DET} | 0.05* V _{DET} | 0.10* V _{DET} | V |
| Operating Current | I _{DD} | 8V | No Load | - | 2 | 3 | μA |
| Operating Voltage | V _{DD} | - | - | 1.5 | - | 16 | V |
| Output Sink Current | I _{OL} | 2V | V _{OUT} =0.2V | 3 | 6 | - | mA |
| Temperature Coefficient | $\frac{\Delta V_{DET}}{\Delta T_a}$ | - | 0°C <Ta<70°C | - | ±0.9 | - | mV/ °C |

H7070A-1XXX, Ta=25°C

| Parameter | Symbol | Test Conditions | | Min. | Typ. | Max. | Unit |
|-------------------------|-------------------------------------|-----------------|------------------------|---------------------------|---------------------------|---------------------------|-----------|
| | | V _{DD} | Conditions | | | | |
| Detection Voltage | V _{DET} | - | - | 6.860 | 7.000 | 7.140 | V |
| Hysteresis Width | V _{HYS} | - | - | 0.02* V _{DET} | 0.05* V _{DET} | 0.10* V _{DET} | V |
| Operating Current | I _{DD} | 8V | No Load | - | 2 | 3 | μA |
| Operating Voltage | V _{DD} | - | - | 1.5 | - | 16 | V |
| Output Sink Current | I _{OL} | 2V | V _{OUT} =0.2V | 3 | 6 | - | mA |
| Temperature Coefficient | $\frac{\Delta V_{DET}}{\Delta T_a}$ | - | 0°C <Ta<70°C | - | ±0.9 | - | mV/ °C |

Application Circuits



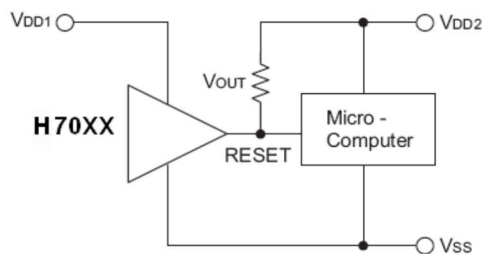
CMOS Output

N-ch Open Drain Output

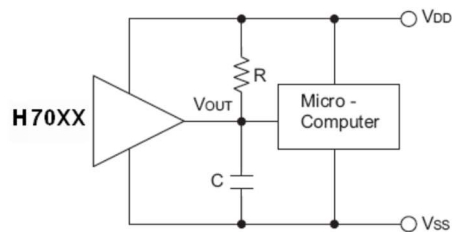
Microcomputer Reset Circuit

Normally a reset circuit is required to protect the microcomputer system from malfunctions due to power line interruptions. The following examples show how different output configurations perform a reset function in various systems.

NMOS open drain output application for separate power supply:

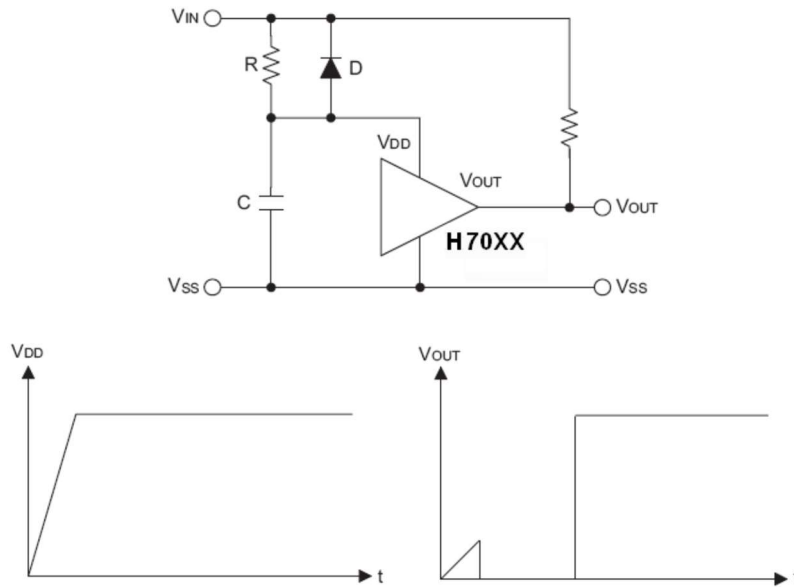


NMOS open drain output application with R-C delay:



Power-on Reset Circuit

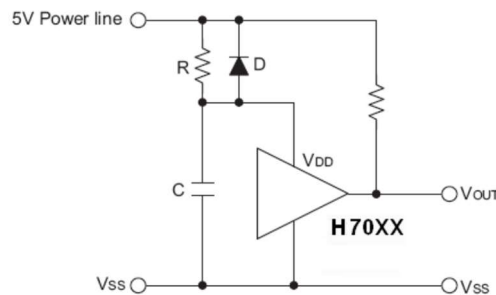
With several external components, the NMOS open drain type of the H70XXA-1 series can be used to perform a power-on reset function as shown:



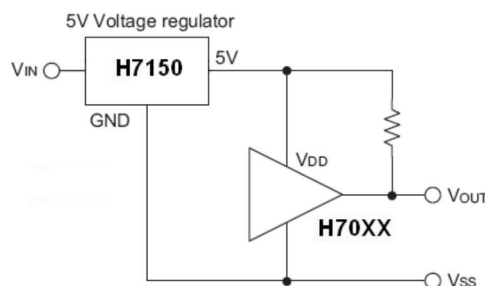
5V Power Line Monitoring Circuit

Generally, a minimum operating voltage of 4.5V is guaranteed in a 5V power line system. The H7044A-1YTR is recommended for use as 5V power line monitoring circuit.

5V power line monitor with power-on reset:



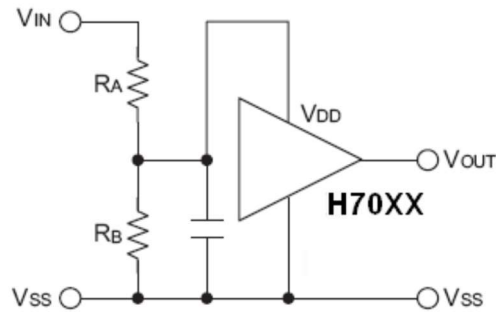
With 5V voltage regulator:



Change of Detectable Voltage

If the required voltage is not found in the standard product selection table, it is possible to change it by using external resistance dividers or diodes.

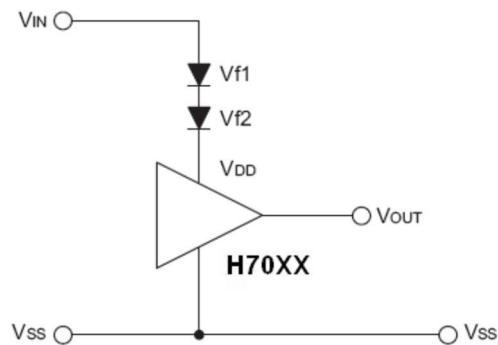
Varying the detectable voltage with a resistance divider:



$$\text{Detectable voltage} = \frac{R_A + R_B}{R_B} \times V_{\text{DET}}$$

$$\text{Hysteresis width} = \frac{R_A + R_B}{R_B} \times V_{\text{HYS}}$$

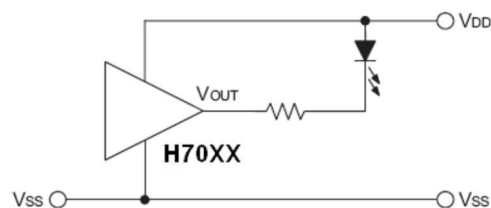
Varying the detectable voltage with a diode:



$$\text{Detectable Voltage} = V_{f1} + V_{f2} + V_{\text{DET}}$$

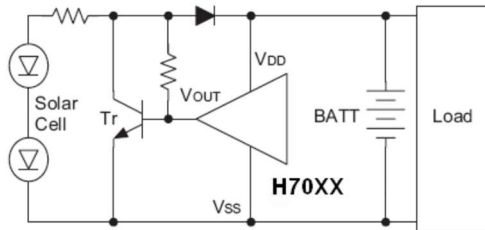
Malfunction Analysis

The following circuit demonstrates the way a circuit analyzes malfunctions by monitoring the variation or spike noise of power supply voltage.



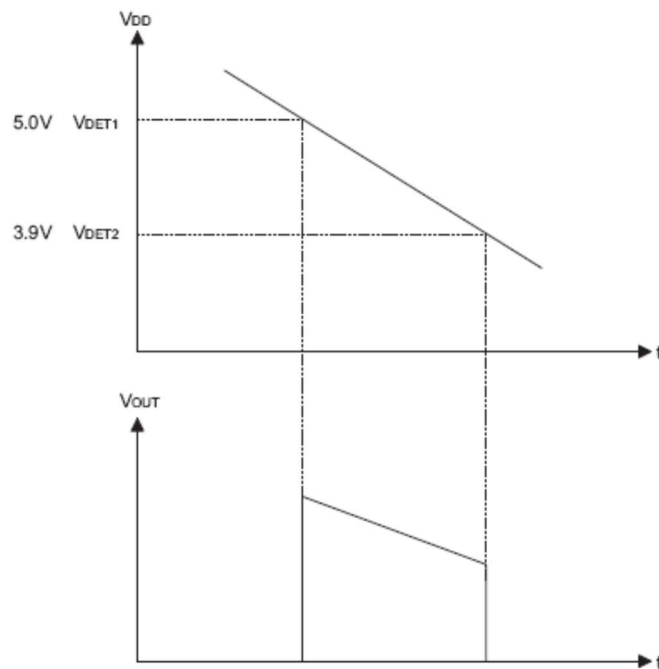
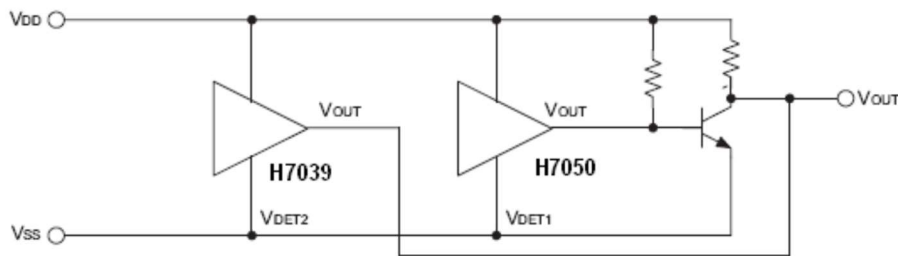
Charge Monitoring Circuit

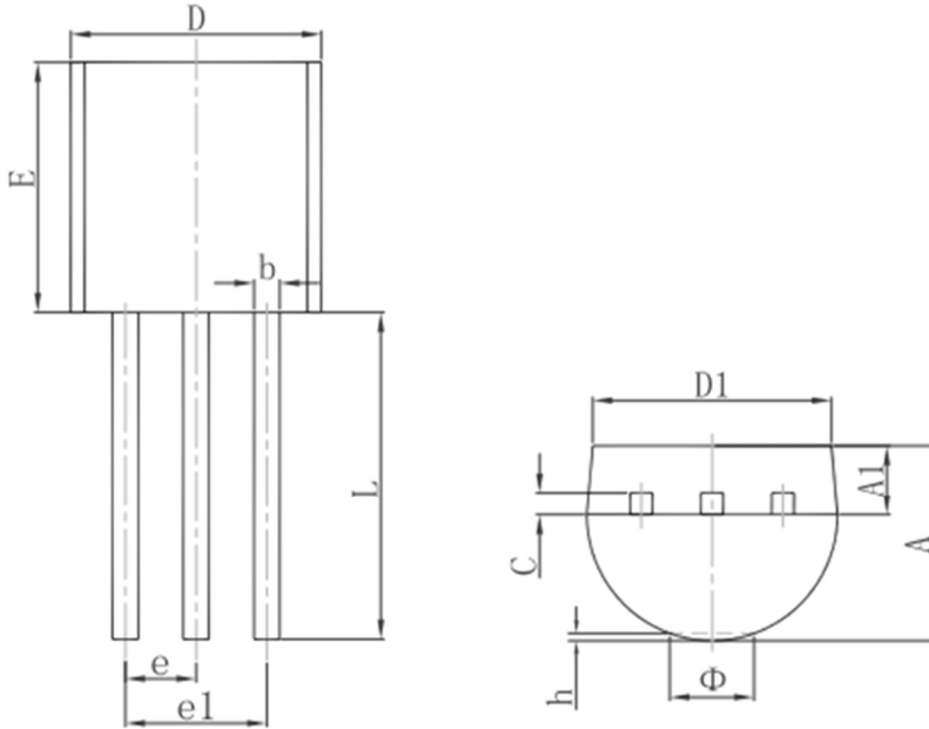
The following circuit shows a charged monitor for protection against battery deterioration by overcharging. When the voltage of the battery is higher than the set detectable voltage, the transistor turns onto bypass the charge current, protecting the battery from overcharging.



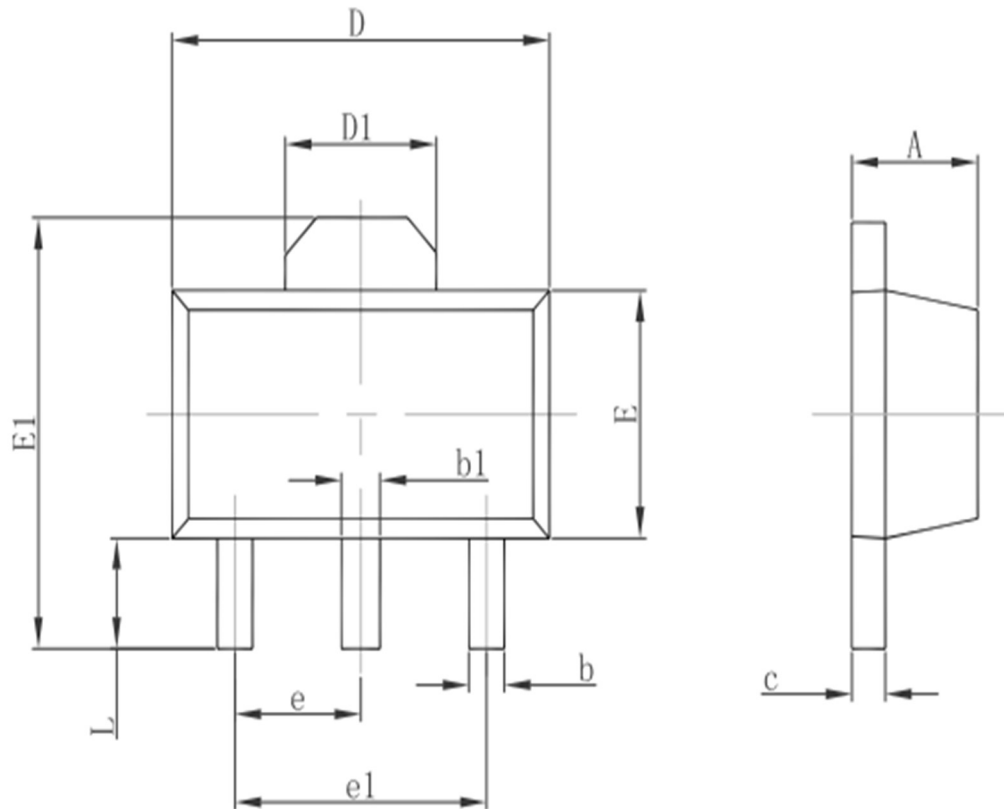
Level Selector

The following diagram illustrates a logic level selector.

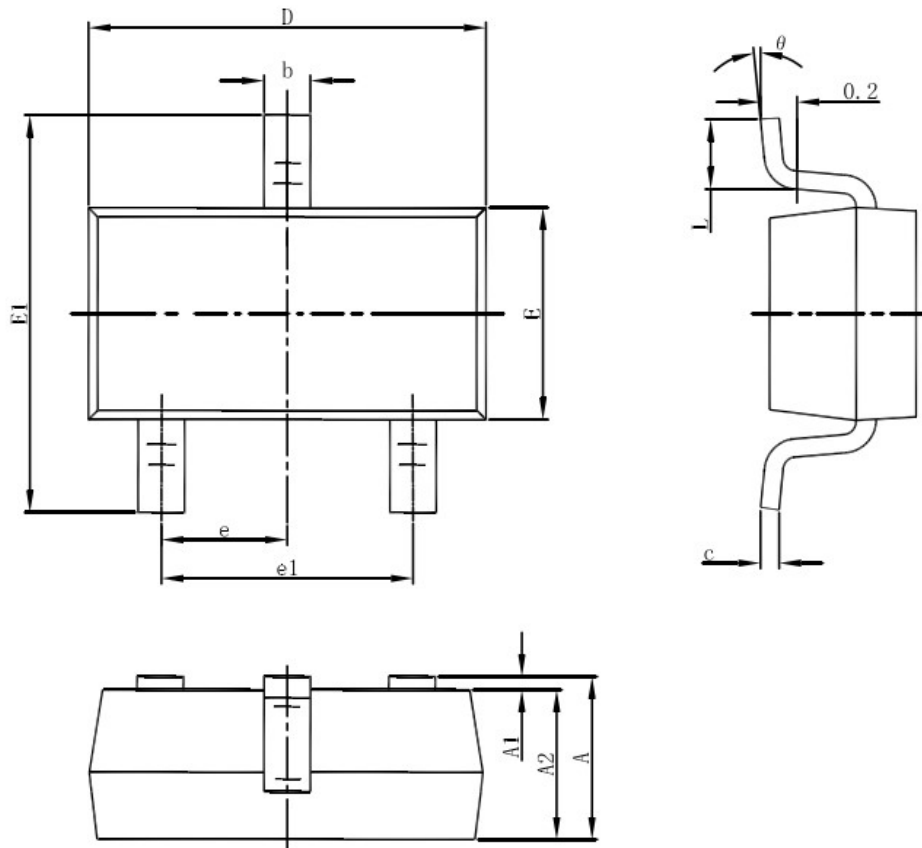


Package Information (T092)


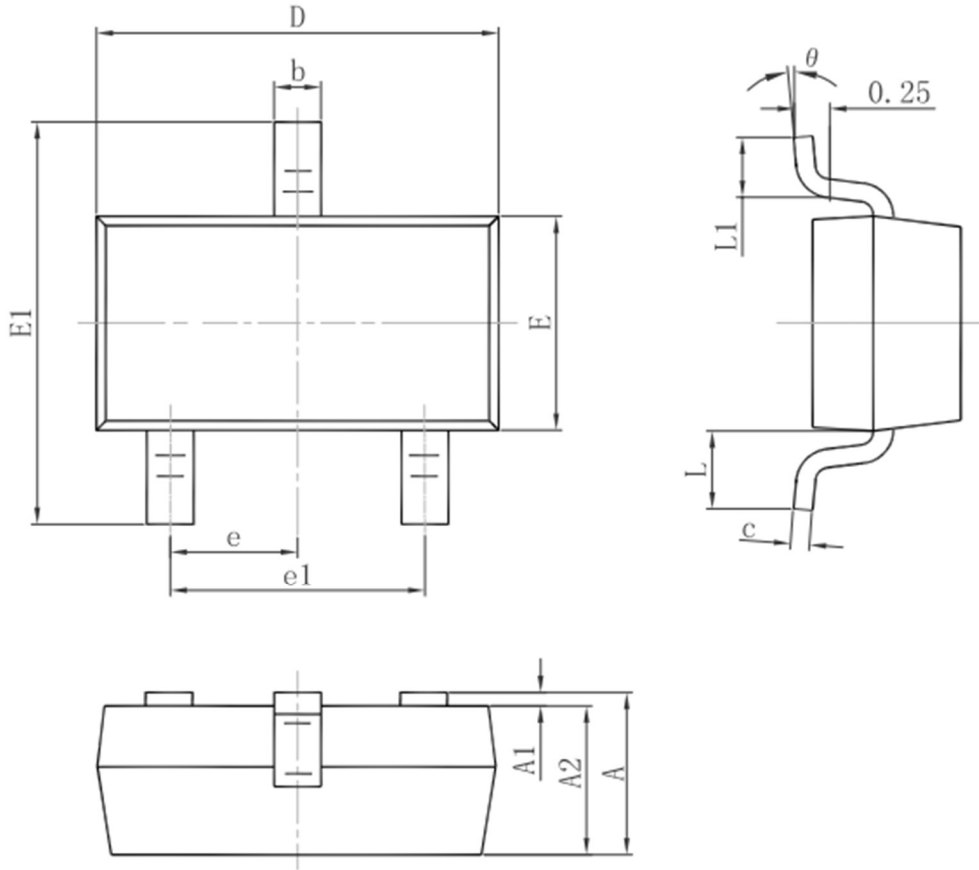
| Symbol | Dimensions In Millimeters | | Dimensions In Inches | |
|-----------|---------------------------|--------|----------------------|-------|
| | Min. | Max. | Min. | Max. |
| A | 3.300 | 3.700 | 0.130 | 0.146 |
| A1 | 1.100 | 1.400 | 0.043 | 0.055 |
| b | 0.380 | 0.550 | 0.015 | 0.022 |
| c | 0.360 | 0.510 | 0.014 | 0.020 |
| D | 4.300 | 4.700 | 0.169 | 0.185 |
| D1 | 3.430 | | 0.135 | |
| E | 4.300 | 4.700 | 0.169 | 0.185 |
| e | 1.270TYP. | | 0.050TYP. | |
| e1 | 2.440 | 2.640 | 0.096 | 0.104 |
| L | 14.100 | 14.500 | 0.555 | 0.571 |
| Φ | | 1.600 | | 0.063 |
| h | 0.000 | 0.380 | 0.000 | 0.015 |

Package Information (SOT89)


| Symbol | Dimensions In Millimeters | | Dimensions In Inches | |
|-----------|---------------------------|-------|----------------------|-------|
| | Min. | Max. | Min. | Max. |
| A | 1.400 | 1.600 | 0.055 | 0.063 |
| b | 0.320 | 0.520 | 0.013 | 0.020 |
| b1 | 0.400 | 0.580 | 0.016 | 0.023 |
| c | 0.350 | 0.440 | 0.014 | 0.017 |
| D | 4.400 | 4.600 | 0.173 | 0.181 |
| D1 | 1.550REF. | | 0.061REF. | |
| E | 2.300 | 2.600 | 0.091 | 0.102 |
| E1 | 3.940 | 4.250 | 0.155 | 0.167 |
| e | 1.500TYP. | | 0.060TYP. | |
| e1 | 3.000TYP. | | 0.118TYP. | |
| L | 0.900 | 1.200 | 0.035 | 0.047 |

Package Information (SOT23-3)


| Symbol | Dimensions In Millimeters | | Dimensions In Inches | |
|----------------------------|---------------------------|-------|----------------------|-------|
| | Min. | Max. | Min. | Max. |
| A | 1.050 | 1.250 | 0.041 | 0.049 |
| A1 | 0.000 | 0.100 | 0.000 | 0.004 |
| A2 | 1.050 | 1.150 | 0.041 | 0.045 |
| b | 0.300 | 0.500 | 0.012 | 0.020 |
| c | 0.100 | 0.200 | 0.004 | 0.008 |
| D | 2.820 | 3.020 | 0.111 | 0.119 |
| E | 1.500 | 1.700 | 0.059 | 0.067 |
| E1 | 2.650 | 2.950 | 0.104 | 0.116 |
| e | 0.950(BSC) | | 0.037(BSC) | |
| e1 | 1.800 | 2.000 | 0.071 | 0.079 |
| L | 0.300 | 0.600 | 0.012 | 0.024 |
| θ | 0° | 8° | 0° | 8° |

Package Information (SOT23)


| Symbol | Dimensions In Millimeters | | Dimensions In Inches | |
|-----------|---------------------------|-------|----------------------|-------|
| | Min. | Max. | Min. | Max. |
| A | 0.900 | 1.150 | 0.035 | 0.045 |
| A1 | 0.000 | 0.100 | 0.000 | 0.004 |
| A2 | 0.900 | 1.050 | 0.035 | 0.041 |
| b | 0.300 | 0.500 | 0.012 | 0.020 |
| c | 0.080 | 0.150 | 0.003 | 0.006 |
| D | 2.800 | 3.000 | 0.110 | 0.118 |
| E | 1.200 | 1.400 | 0.047 | 0.055 |
| E1 | 2.250 | 2.550 | 0.089 | 0.100 |
| e | 0.950TYP. | | 0.037TYP. | |
| e1 | 1.800 | 2.000 | 0.071 | 0.079 |
| L | 0.550REF. | | 0.022REF. | |
| L1 | 0.300 | 0.500 | 0.012 | 0.020 |
| θ | 0° | 8° | 0° | 8° |

Special Instructions

The company reserves the right of final interpretation of this specification.

Version Change Description

Version: V2.0

Author: Yangyang

Time:

2021.10.8

Modify the record:

1. Re-typesetting the manual and checking some data
-