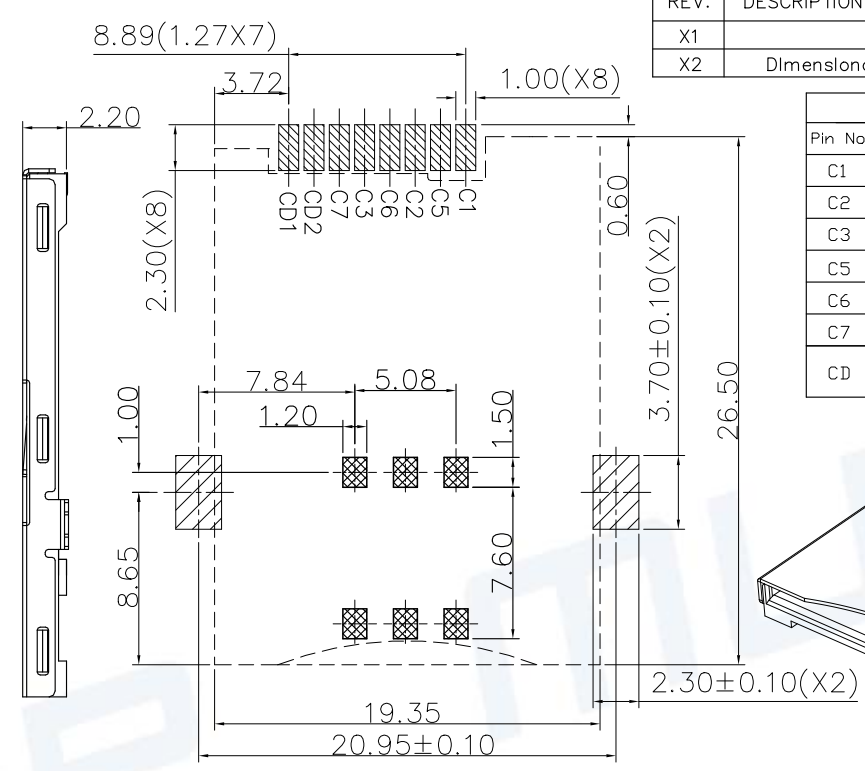
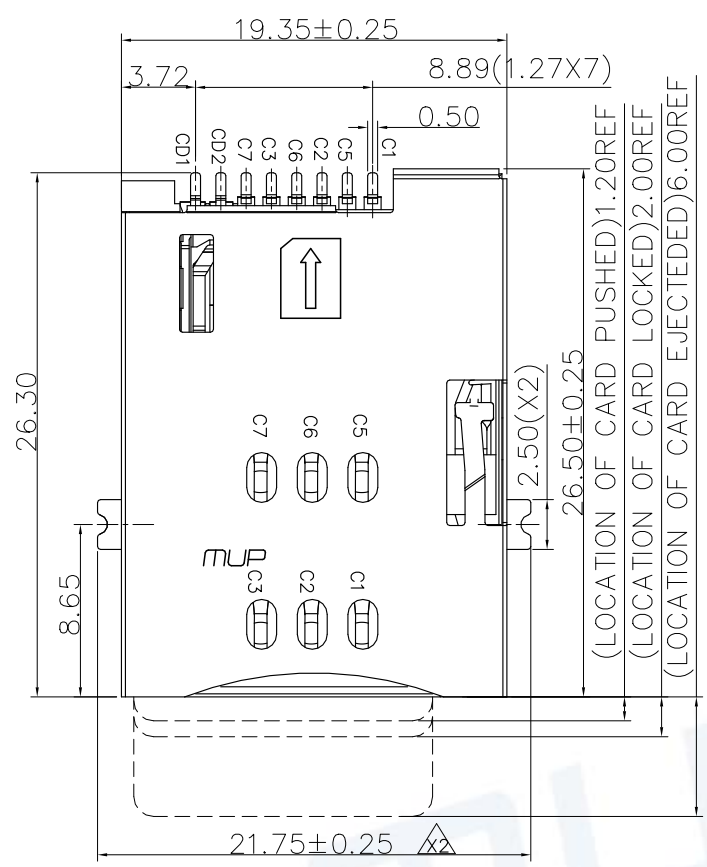
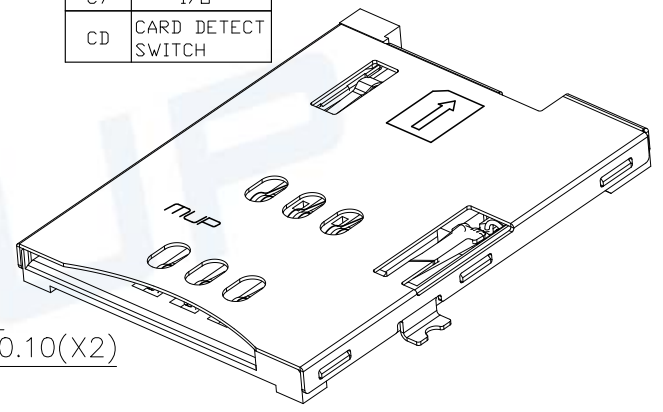


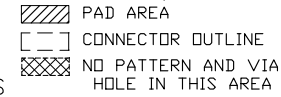
REV.	DESCRIPTION OF REVISIONS	APPR.	DRAW.	RELEASE	DATE
X1					
X2	Dimensional change				2020.11.09



SIM CARD	
Pin No.	NAME
C1	VCC
C2	RST
C3	CLK
C5	GND
C6	VPP
C7	I/O
CD	CARD DETECT SWITCH



RECOMMENDED P.C.B LAYOUT
COMPONENT SIDE(TOLERANCE ±0.05)



TECHNICAL CHARACTERISTICS

- General Characteristics**
 Dimensions: 26.50LX19.35WX2.20H mm
 Weight: Approx 1.50±0.1g
 Durability: 3,000 cycles min.
- Electrical Characteristics**
 Contact resistance: 50mΩ typical, 100mΩ max
 Insulation resistance: >1000MΩ/500V DC
- Solderability**
 Vapor phase: 215°C, 30sec. Max
 IR reflow: 250°C, 5sec. Max
 Manual soldering: 370°C, 3sec. Max
- Environmental Characteristics**
 Operating temperature: -40°C~+85°C
 Operating humidity: 10%~+95%RH

ELECTRIC FUNCTION	DETECT SWITCH
WITHOUT CARD	OPEN
CARD INSERTED	CLOSED



ITEM	PART NAME	Q'TY	MATERIAL	FINISH
1	HOUSING	1	Hi-temp Thermoplastic	Black UL94V-0
2	DATA CONTACT	6	Copper Alloy	Contact area Au plated, Tin plating on solder tails.
3	SHELL	1	Stainless Steel	SMT area: Au plated
4	COIL SPRING	1	SWP	
5	HEART CAM	1	Hi-temp Thermoplastic	Black UL94V-0
6	CAM PIN	1	Stainless Steel	
7	SWITCH CONTACT 1	1	Copper Alloy	Contact&solder area: Au plated
8	SWITCH CONTACT 2	1	Copper Alloy	Contact&solder area: Au plated

Unless otherwise specified, other tolerance are:



X ±0.35	X* ±5*	NAME: SIM Card Connector		
X.X ±0.25	X.X* ±4*		MODEL NO: MUP-C760-2	
X.XX ±0.15	X.XX* ±3*		TYPE: H2.20 mm without post	
X.XXX ±0.10	X.XXX* ±2*			
PROJ.	UNIT mm		SCALE 1:1	
CUSTOMER DRAWING			DRAWN Henry Jul.08.2016	DWG NO.: DWG-MUP-C760-2
			CHECKED Henry Jul.08.2016	SHEET 1/1
			APPROVAL Simon Jul.08.2016	REVISION X1

