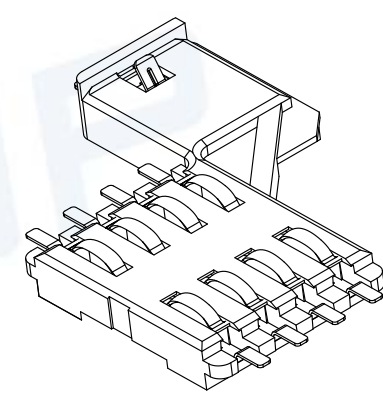
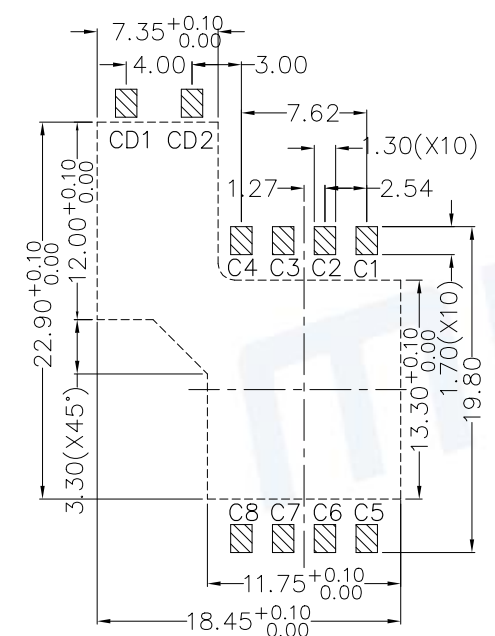
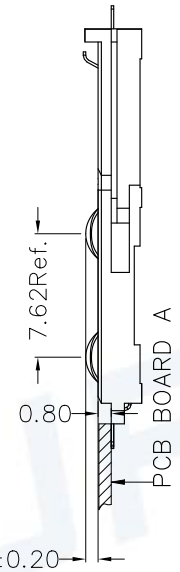
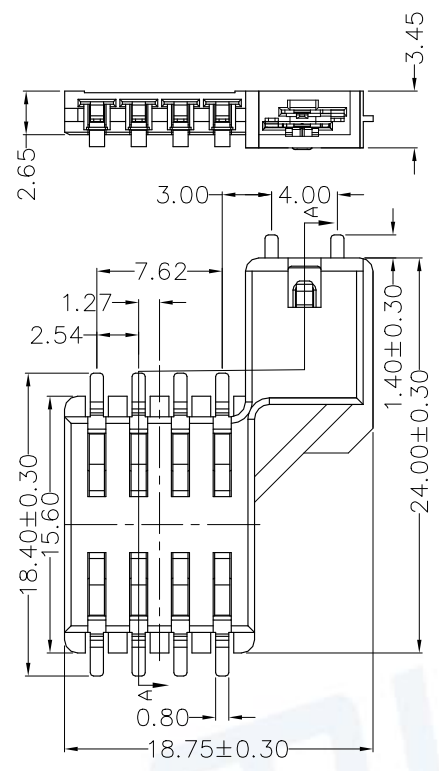


REV.	DESCRIPTION OF REVISIONS	APPR.	DRAW.	RELEASE	DATE
X1					
X2					

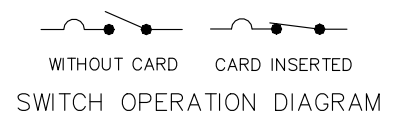


PCB LAYOUT REFERENCE PCB BOARD A(frontispiece)
COMPONENT SIDE(TOLERANCE ±0.05)

TECHNICAL CHARACTERISTICS

- General Characteristics
Dimensions: 24.00LX18.75WX2.65H mm
Weight: Approx0.88±0.2g
Durability: 50,000 cycles min.
- Electrical Characteristics
Contact resistance: 50mΩ typical,100mΩ max
Insulation resistance: >1000MΩ/500V DC
- Solderability
IR reflow: 260°C,10sec.Max
Manual soldering: 370°C,3sec.Max
- Environmental Characteristics
Operating temperature: -40°C~+85°C
Operating humidity: 10%~+95%RH

ELECTRIC FUNCTION	DETECT SWITCH
WITHOUT CARD	OPEN
CARD INSERTED	CLOSED



ITEM	PART NAME	QTY	MATERIAL	FINISH
1	BASE	1	Thermoplastic	Black UL94V-0
2	DATA CONTACT	8	Copper Alloy	Contact area:Gold plated
3	SWITCH CONTACT 2	1	Copper Alloy	Contact area:Gold plated
4	SWITCH CONTACT 1	1	Copper Alloy	Contact area:Gold plated

Unless otherwise specified, other tolerance are:
 MUP INDUSTRIAL CO.,LTD.

X ±0.35	X* ±5°	NAME:	Smart Card Connector	
X.X ±0.25	X.X* ±4°	MODEL NO:	MUP-C737-2	
X.XX ±0.15	X.XX* ±3°	TYPE :	H2.65mm(Mid-SMT)	
X.XXX ±0.10	X.XXX* ±2°	PROJ.	Simon Feb.19.2014	DWG NO.:
UNIT	SCALE	DRAWN	Zoey Feb.19.2014	DWG-MUP-C737-002
MM	1:1	CHECKED	Jimmy Feb.19.2014	SHEET
CUSTOMER DRAWING		APPROVAL	Simon Feb.19.2014	1/1
				REVISION
				X1

