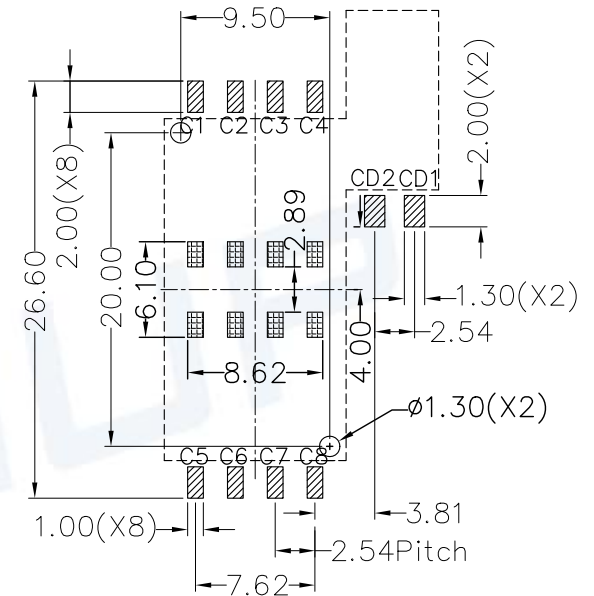
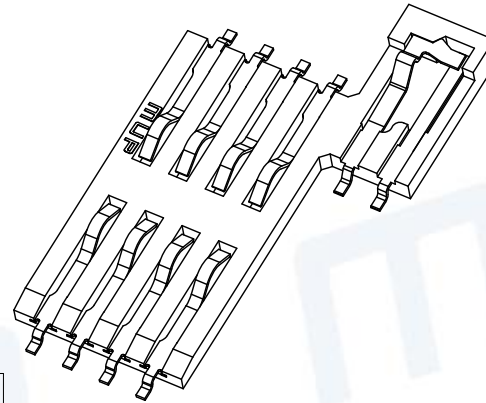
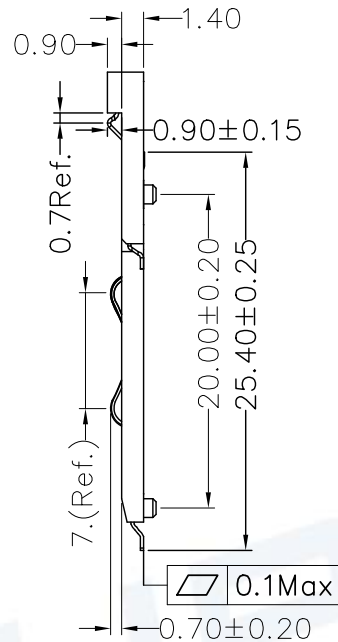
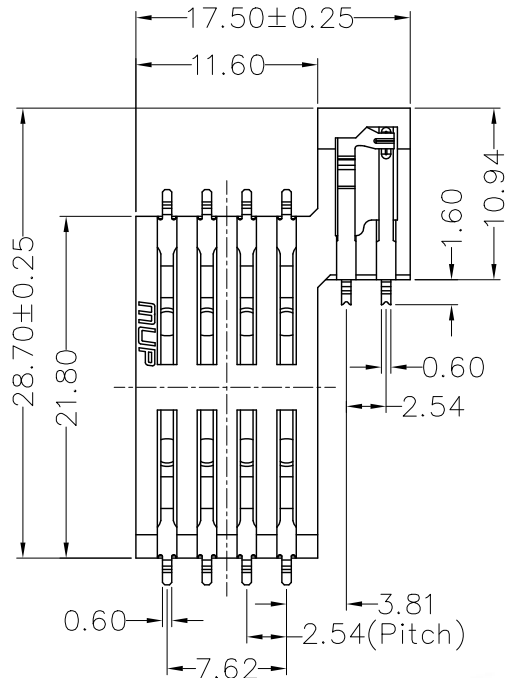


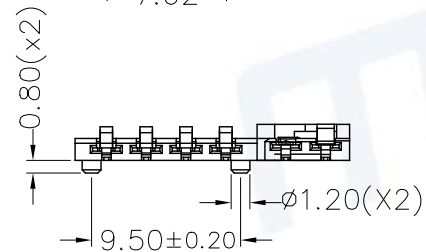
REV.	DESCRIPTION OF REVISIONS	APPR.	DRAW.	RELEASE	DATE
X1					
X2					



RECOMMENDED P.C.B LAYOUT  
COMPONENT SIDE(TOLERANCE ±0.05)

▨ PAD AREA    ▤ KEEP OUT AREA

Coplanarity of metal solder pins  $\leq 0.15$ mm  
Recommending of solder paste thickness  $> 0.15$ mm



TECHNICAL CHARACTERISTICS

1.General Characteristics

Dimensions: 28.70LX17.50WX1.40 mm

Weight: Approx 0.64±0.1g

Durability: 100,000 cycles min.

2.Electrical Characteristics

Contact resistance: 50mΩ typical, 100mΩ max

Insulation resistance:  $> 1000$ MΩ/500V DC

3.Solderability

IR reflow: 260°C, 10sec. Max

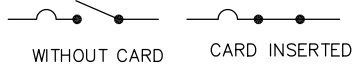
Manual soldering: 370°C, 3sec. Max

4.Environmental Characteristics

Operating temperature: -40°C~+85°C

Operating humidity: 10%~+95%RH

ELECTRIC FUNCTION	DETECT SWITCH
WITHOUT CARD	OPEN
CARD INSERTED	CLOSED



SWITCH OPERATION DIAGRAM

ITEM	PART NAME	Q'TY	MATERIAL	FINISH
1	BASE	1	Hi-temp Thermoplastic	Black UL94V-0
2	DATA CONTACT	8	Copper Alloy	Contact area: Gold plated
3	SWITCH CONTACT 2	1	Copper Alloy	Contact area: Gold plated
4	SWITCH CONTACT 1	1	Copper Alloy	Contact area: Gold plated

Unless otherwise specified, other tolerance are:

X	±0.35	X'	±5'
X.X	±0.25	X.X'	±4'
X.XX	±0.15	X.XX'	±3'
X.XXX	±0.10	X.XXX'	±2'

**MUP** MUP INDUSTRIAL CO.,LTD.

NAME: **Smart Card Connector**

MODEL NO: **MUP-C736-1**  
with post(H1.40 mm)

PROJ.	UNIT	SCALE	DRAWN	DWG NO.:
①	mm	1:1	Zoey Apr.23,2011	DWG-MUP-C736-1
CUSTOMER DRAWING			CHECKED	SHEET
			Keey Apr.23,2011	1/1
			APPROVAL	REVISION
			Simon Apr.23,2011	X2

