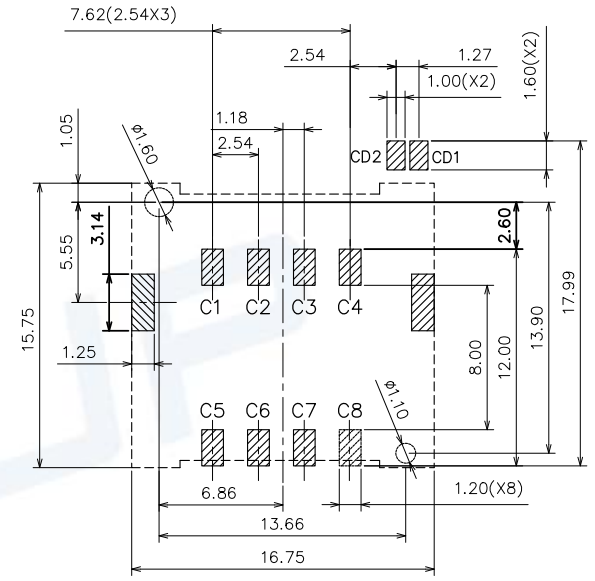
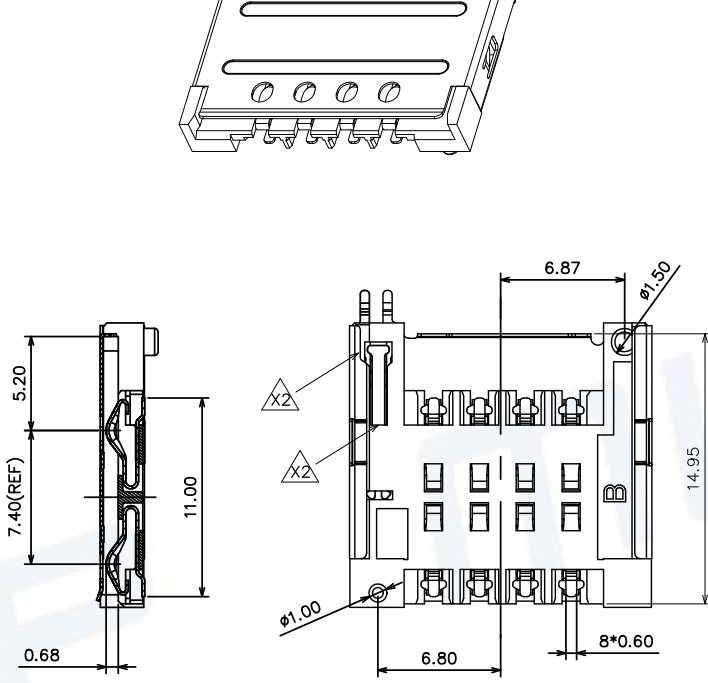
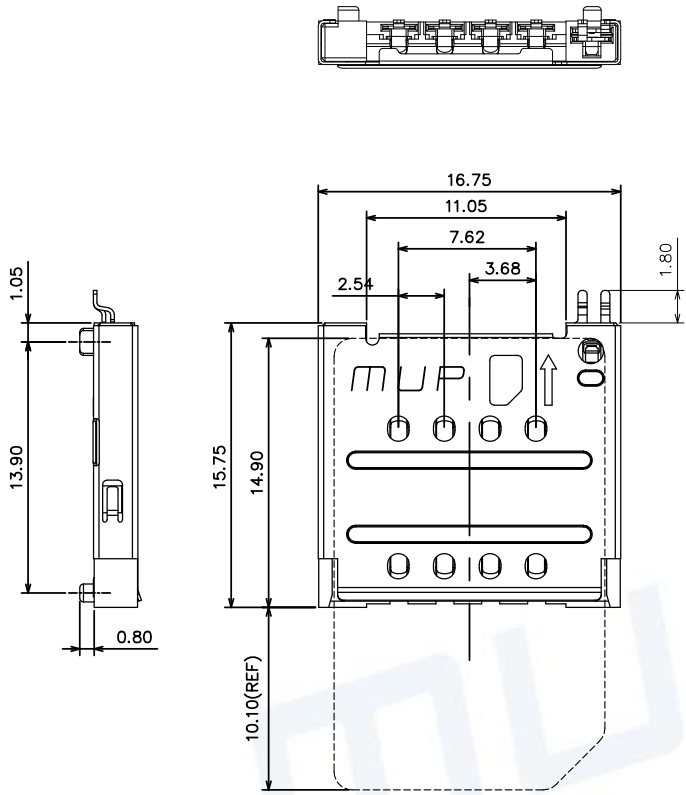
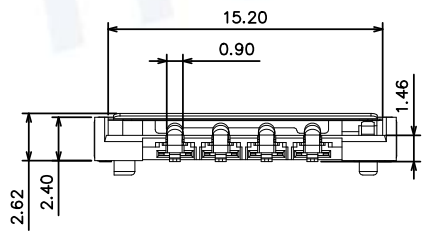


REV.	DESCRIPTION OF REVISIONS	APPR.	DRAW.	RELEASE	DATE
X1	新开	wang	huabo		2017/5/10
X2	铁壳增加避位及主体加胶	wang	huabo		2020/10/9



RECOMMENDED P.C.B LAYOUT
COMPONENT SIDE(TOLERANCE ±0.05)



ELECTRIC FUNCTION	DETECT SWITCH
WITHOUT CARD	OPEN
CARD INSERTED	CLOSED



TECHNICAL CHARACTERISTICS

1.General Characteristics
Dimensions: 16.75LX15.75WX2.60H mm
Weight: Approx g
Durability: 5,000 cycles min.

2.Electrical Characteristics
Contact resistance: 50mΩ typical, 100mΩ max
Insulation resistance: >1000MΩ/500V DC

3.Solderability
Vaporphase: 215°C, 30sec.Max
IR reflow: 250°C, 5sec.Max
Manual soldering: 370°C, 3sec.Max

4.Environmental Characteristics
Operating temperature: -40°C~+85°C
Operating humidity: 10%~+95%RH

ITEM	PART NAME	Q'TY	MATERIAL	FINISH
1	HOUSING	1	Hi-temp Thermoplastic	Black UL94V-0
2	DATA CONTACT	8	Copper Alloy	Contact area:Gold plated
3	SHELL	1	Stainless Steel	SMT area:Ni plated
4	SWITCH CONTACT-1	1	Copper Alloy	Contact area:Gold plated
5	SWITCH CONTACT-2	1	Copper Alloy	Contact area:Gold plated

Unless otherwise specified, other tolerance are:

X ±0.35	X* ±5'	NAME: SIM Card Connector					
X.X ±0.25	X.X* ±4'		MODEL NO: MUP-C732-3				
X.XX ±0.15	X.XX* ±3'						
X.XXX ±0.10	X.XXX* ±2'						
PROJ.		UNIT mm	SCALE 1:1	DRAWN huabo 5/10-17'	DWG NO.: DWG-MUP-C732-003		
CUSTOMER DRAWING		CHECKED huabo 5/10-17'				SHEET 1/1	REVISION X2
		APPROVAL WANG 5/10-17'					

MUP MUP INDUSTRIAL CO.,LTD.

