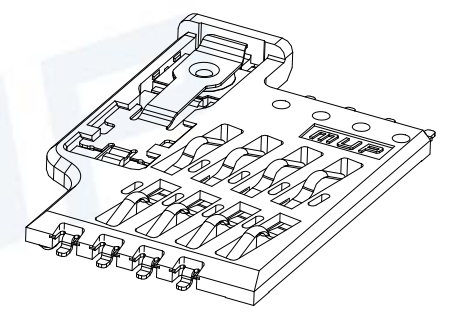
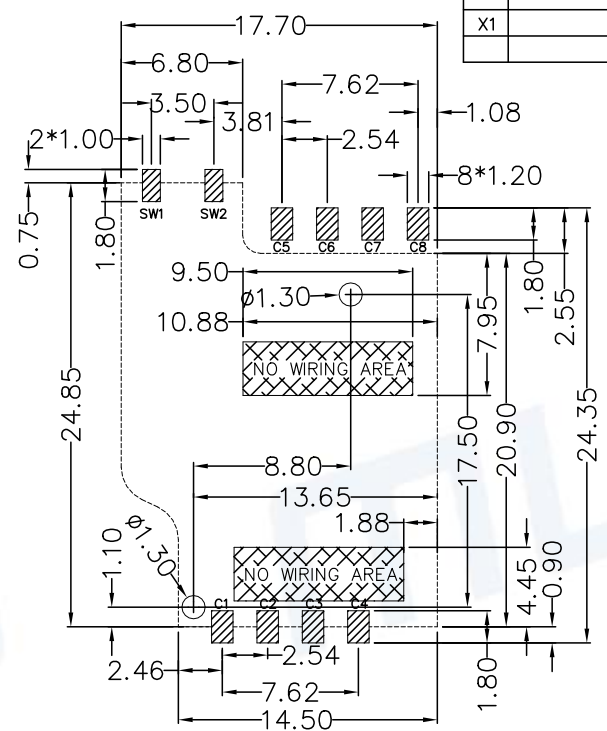
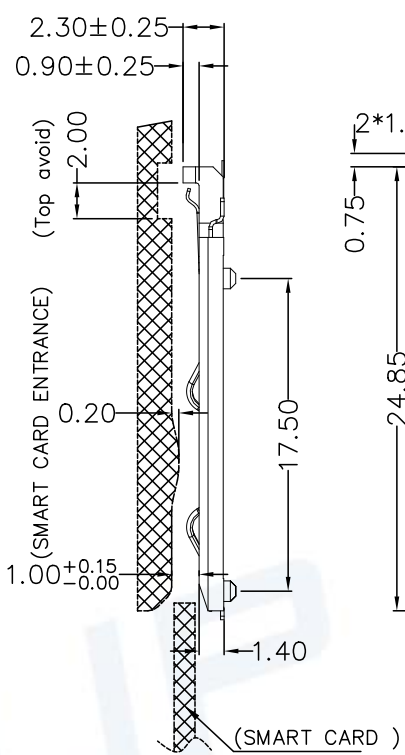
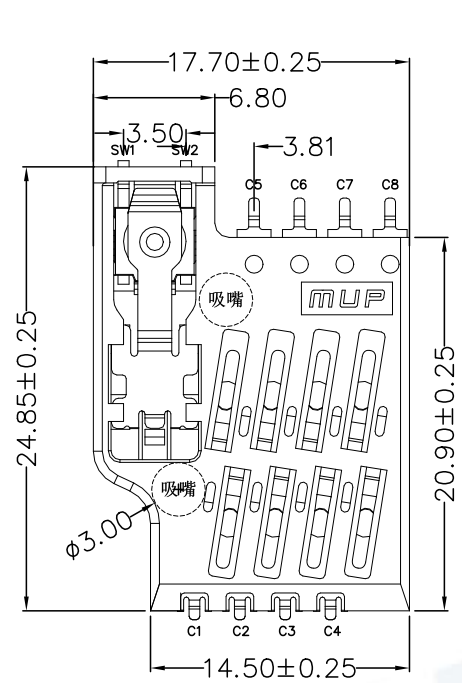
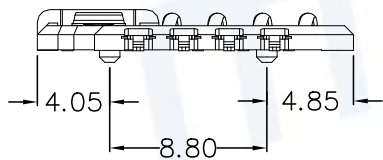


REV.	DESCRIPTION OF REVISIONS	APPR.	DRAW.	RELEASE	DATE
X1					



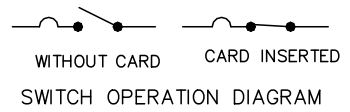
RECOMMENDED P.C.B LAYOUT
 COMPONENT SIDE(TOLERANCE ±0.05)
 Coplanarity of metal solder pins 0.15mm
 Recommending of solder paste thickness > 0.15mm
 ▨ PAD AREA ▩ STAND OFF AREA



TECHNICAL CHARACTERISTICS

- General Characteristics
 Dimensions: 24.85X17.70X1.40H mm
 Weight: Approx 0.85±0.3g
 Durability: 300,000 cycles min.
- Electrical Characteristics
 Contact resistance: 50mΩ typical, 100mΩ max
 Insulation resistance: >1000MΩ/500V DC
 Switch Contact resistance: 100mΩ typical, 200mΩ max
 Switch Insulation resistance: 100MΩ min
- Solderability
 Vapor phase: 215°C.30sec.Max
 IR reflow: 260°C.10sec.Max
 Manual soldering: 370°C, 3sec.Max
- Environmental Characteristics
 Operating temperature: -40°C~+85°C
 Operating humidity: 10%~+95%RH

ELECTRIC FUNCTION	DETECT SWITCH
WITHOUT CARD	OPEN
CARD INSERTED	CLOSED



ITEM	PART NAME	Q'TY	MATERIAL	FINISH
1	BASE	1	Hi-temp Thermoplastic	Black UL94V-0
2	DATA CONTACT	8	Copper Alloy	Contact area:Gold plated
3	SWITCH CONTACT	1		Contact area:Silver plated
4	FLAKE	1	SUS	

Unless otherwise specified, other tolerance are:

X	±0.35	X'	±5°
X.X	±0.25	X.X'	±4°
X.XX	±0.15	X.XX'	±3°
X.XXX	±0.10	X.XXX'	±2°

PROJ. UNIT mm SCALE 1:1

MUP MUP INDUSTRIAL CO.,LTD.

NAME: **Smart Card Acceptor**
 MODEL NO: **MUP-C7310-2-H1.40 8P**
 TYPE: **Normally open**

DRAWN	Zoey	2020.06.01	DWG NO.:	DWG-MUP-C7310-002
CHECKED	Keey	2020.06.01	SHEET	
APPROVAL	Simon	2020.06.01	REVISION	X1

CUSTOMER DRAWING