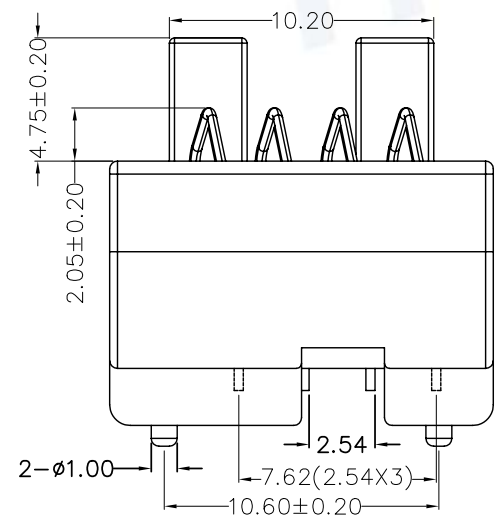
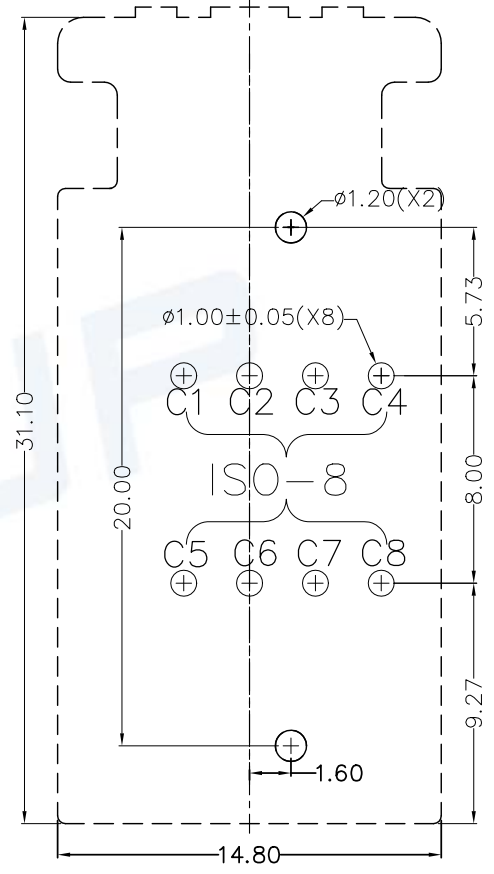
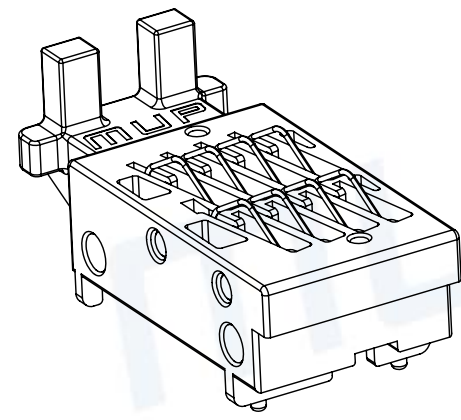
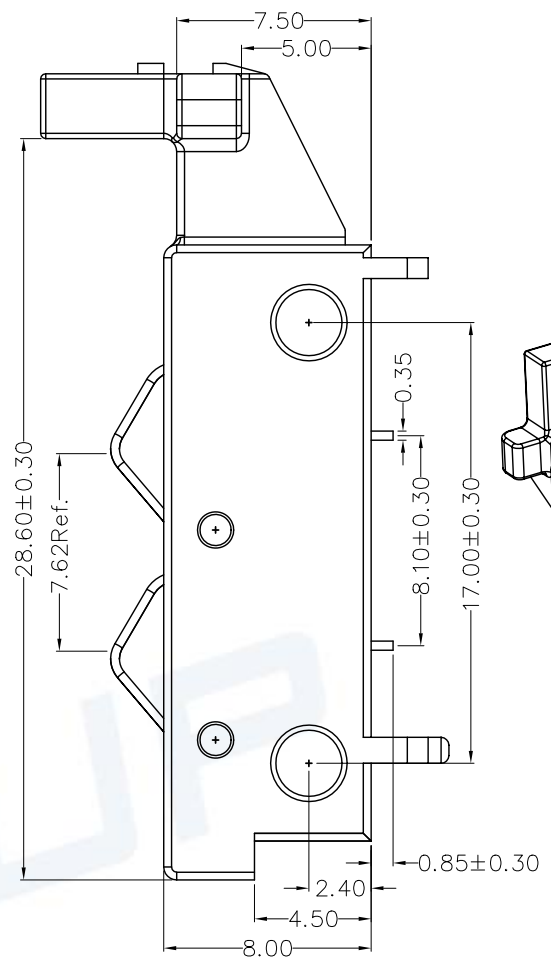
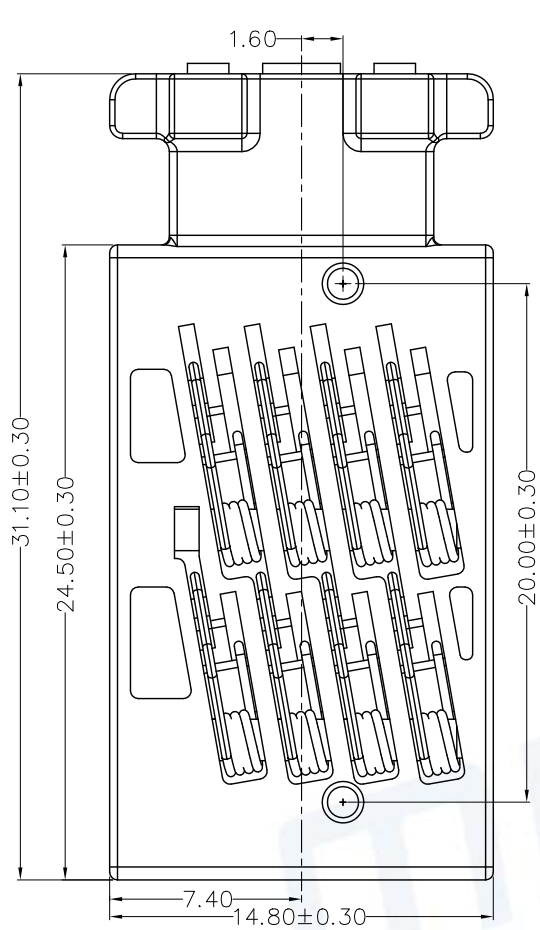


REV.	DESCRIPTION OF REVISIONS	APPR.	DRAW.	RELEASE	DATE
X1					
X2					



TECHNICAL CHARACTERISTICS

1.General Characteristics
 Dimensions: 31.10LX14.80WX14.95H mm
 Weight: Approx3.10±0.2g
 Durability: 500,000 cycles min.

2.Electrical Characteristics
 Contact resistance: 50mΩ typical,100mΩ max
 Insulation resistance: >1000MΩ/500V DC

3.Solderability
 Manual soldering : 370°C,3sec.Max

4.Environmental Characteristics
 Operating temperature: -40°C~+85°C
 Operating humidity: 10%~+95%RH

ITEM	PART NAME	Q'TY	MATERIAL	FINISH
1	HOUSING	1	Hi-temp Thermoplastic	Black UL94V-0
2	BOLT	1	PPS	Black UL94V-0
3	DATA CONTACT	8	Copper Alloy	Contact area:Gold plated

Unless otherwise specified, other tolerance are:

X	±0.35	X'	±5'
X.X	±0.25	X.X'	±4'
X.XX	±0.15	X.XX'	±3'
X.XXX	±0.10	X.XXX'	±2'

MUP MUP INDUSTRIAL CO.,LTD.

NAME: **Smart Card Connector**

MODEL NO: **MUP-C7304-1**

TYPE: **without post(DIP)**

PROJ.	UNIT	SCALE	DRAWN	DWG NO.:
①	mm	1:1	Zoey Sep.10.2018	DWG-MUP-C7304-001
CUSTOMER DRAWING			CHECKED	SHEET
			Jimmy Sep.10.2018	1/1
			APPROVAL	REVISION
			Simon Sep.12.2018	X1