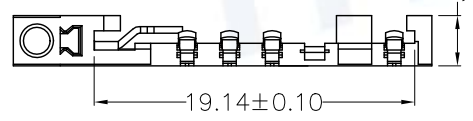
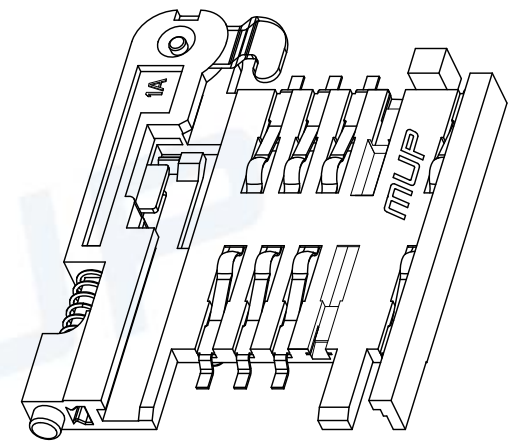
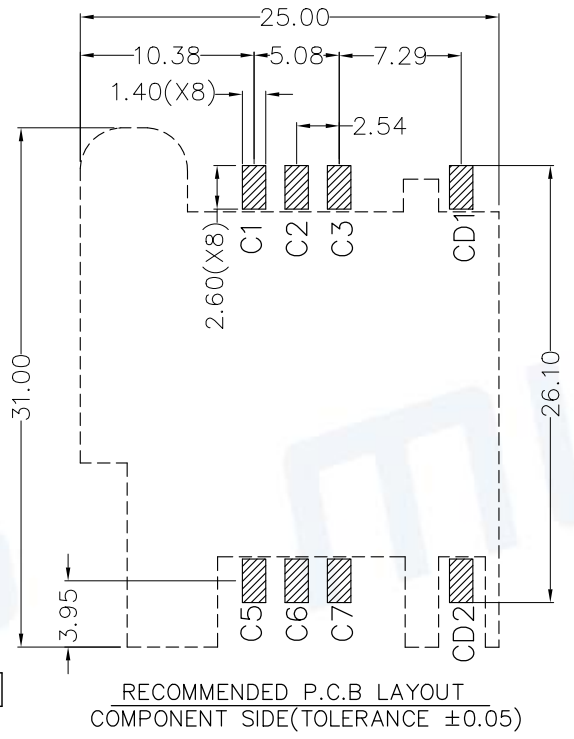
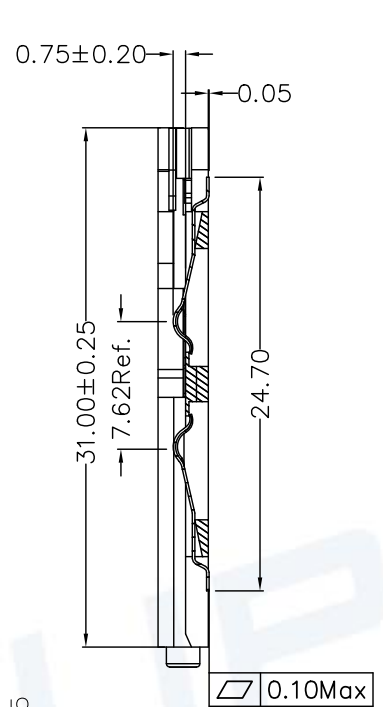
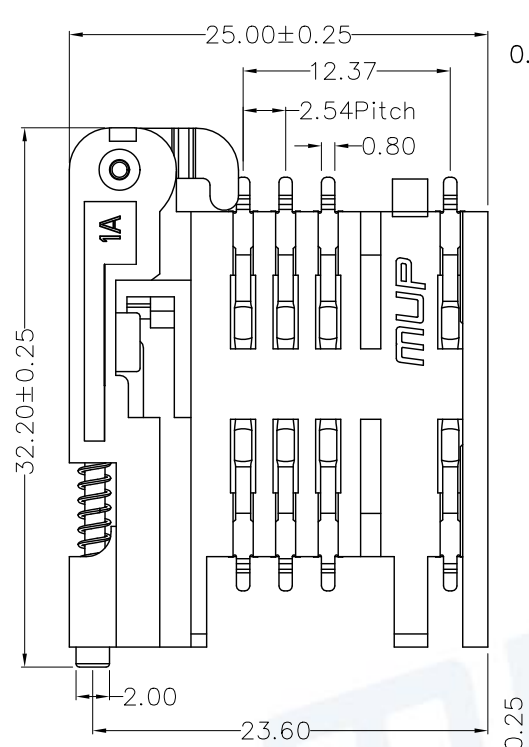


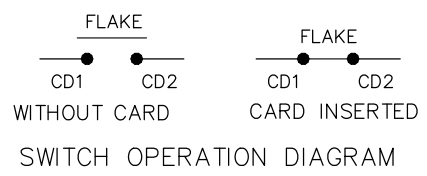
REV.	DESCRIPTION OF REVISIONS	APPR.	DRAW.	RELEASE	DATE
X1	Original reversion				



**TECHNICAL CHARACTERISTICS**

- General Characteristics**  
 Dimensions: 32.20LX25.00WX3.00H mm  
 Weight: Approx 1.60±0.20g  
 Durability: 5,000 cycles min.
- Electrical Characteristics**  
 Contact resistance: 50mΩ typical, 100mΩ max  
 Insulation resistance: >1000MΩ/500V DC
- Solderability**  
 Vapor phase: 215°C, 30sec. Max  
 IR reflow: 250°C, 5sec. Max  
 Manual soldering: 370°C, 3sec. Max
- Environmental Characteristics**  
 Operating temperature: -40°C~+85°C  
 Operating humidity: 10%~+95%RH

ELECTRIC FUNCTION	DETECT SWITCH
WITHOUT CARD	OPEN
CARD INSERTED	CLOSED



ITEM	PART NAME	Q'TY	MATERIAL	FINISH
1	BASE	1	Hi-temp Thermoplastic	Black UL94V-0
2	DATA CONTACT	8	Copper Alloy	Contact area: Gold plated
3	HANDLE	1	Hi-temp Thermoplastic	Yellow UL94V-0
4	SPRING	1	SWP	
5	POLE	1	Stainless Steel	
6	AXIS	1	Copper Alloy	Ni plated over all
7	TOGGLE LEVER	1	Stainless Steel	

Unless otherwise specified, other tolerance are:

**MUP** MUP INDUSTRIAL CO.,LTD.

NAME: **SIM Card Connector**

MODEL NO: **MUP C716-3**

TYPE: **without post 6p**

PROJ.	UNIT	SCALE	DRAWN	Zeoy Oct.10.2006	DWG NO.:
①	mm	1:1	CHECKED	Jimmy Oct.10.2006	DWG-MUP-C716-003
CUSTOMER DRAWING			APPROVAL	Jun Oct.10.2006	SHEET
					REVISION
					X1

