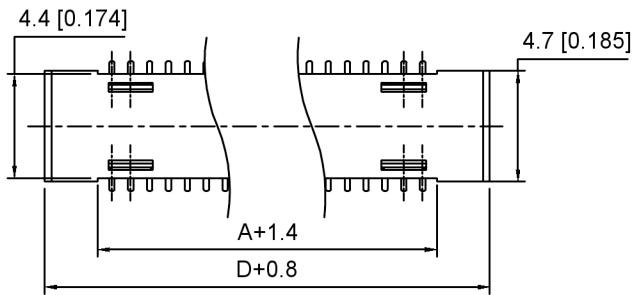
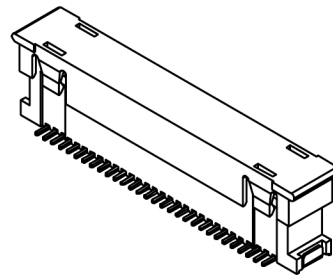
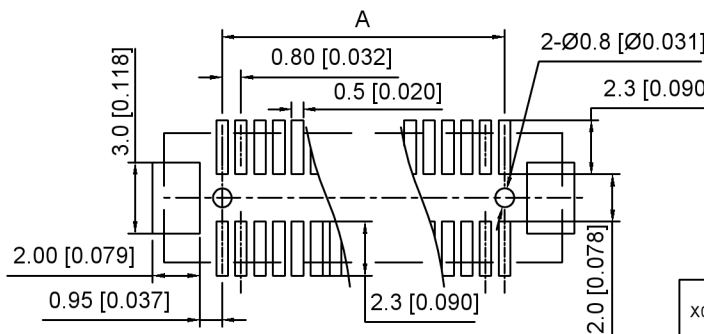
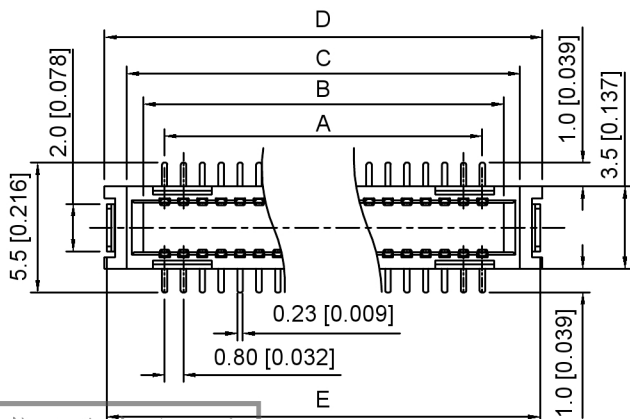
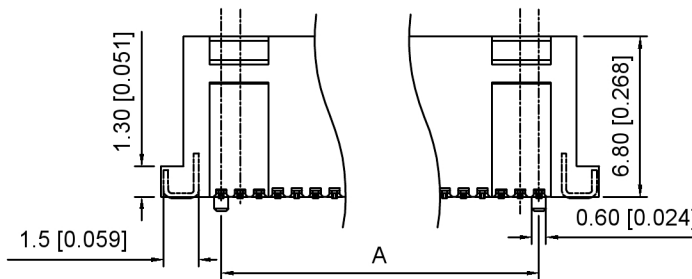


WITH CAP



WITH CAP



Recommended PCB Layout

Specifications:

规格:

Voltage rating:50V AC/DC

额定电压: 50V AC/DC

Current rating:0.5A AC/DC

额定电流: 0.5A AC/DC

Withstanding voltage:250V AC/minute

耐受电压: 250V AC/分钟

Temperature range:-40°C-+105°C

温度范围: -40°C-+105°C

Insulation resistance:500MΩ

绝缘电阻: 500MΩ

Contact resistance:100mΩ

接触电阻: 100mΩ

X0815 W V S - XX B S - 9T V01

① ② ③ ④ ⑤ ⑥ ⑦ ⑧ ⑨

- 1.Series No
- 2.Category:W-Wafer
- 3.Welding Board Angle:V-Straight 180°
- 4.Welding Way:S-SMT
- 5.Row No.Pin No:XX-10-100Pin
- 6.Category:B-6.8mm Height
- 7.Special No:S-With positioning column
- 8.Material:9T-PA9T UL94V-0
CAP Material:PA6T UL94V-0
- 9.Plating:Gold Plated 4u" MIN

Poles	Dimensions(mm)				
	A	B	C	D	E
10	3.20	5.00	6.40	8.30	8.10
20	7.20	9.00	10.40	12.30	12.10
30	11.20	13.00	14.40	16.30	16.10
40	15.20	17.00	18.40	20.30	20.10
50	19.20	21.00	22.40	24.30	24.10
60	23.20	25.00	26.40	28.30	28.10
70	27.20	29.00	30.40	32.30	32.10
80	31.20	33.00	34.40	36.30	36.10
90	35.20	37.00	38.40	40.30	40.10
100	39.20	41.00	42.40	44.30	44.10

X0815WS-XXBS-9TV01	PA9T	Phosphor Bronze	X0815FVS-A	11.75mm±0.5
			X0815FVS-B	8.0mm±0.5
PART NO	Material	Material(Pin)	Suitable XKB Wafer	Mating Height

DSND	SCALE: N/A	MODEL TYPE: 0.8mm BTB Connector		
DWN	VIEW:	PART NO.: X0815WS-XXBS-9TV01		
CHKD	UNIT: mm/in	DWG NO.: X-X0815WS-XXBS-9TV01		
APPD	SIZE: A4	WEIGHT	SHEET	REVISION
		1/1		A0

广东星坤科技股份有限公司

DATE	REVISIONS
DATE	REVISIONS
DATE	REVISIONS
DATE	REVISIONS

文件工程章

ANGLAR	±5°
L ≤ 4	±0.2
4 < L ≤ 16	±0.3
16 < L ≤ 63	±0.4
L > 63	±0.5
UNSPECIFIED TOLERANCES	



XKB INDUSTRIAL PRECISION CO., LIMITED