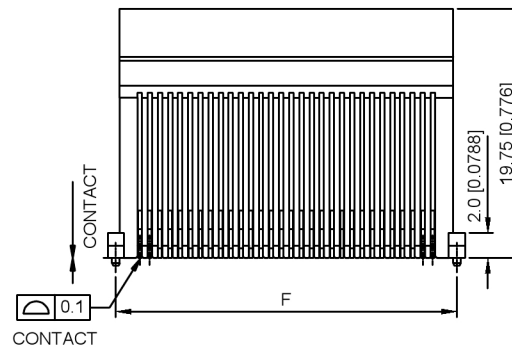
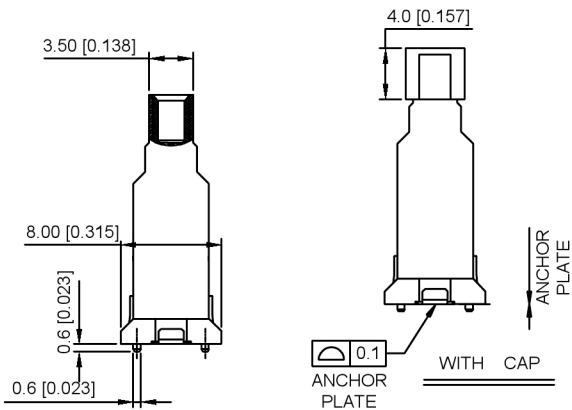


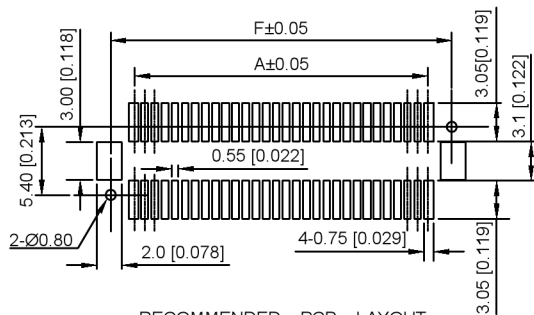
Specifications:

规格:
 Voltage rating:50V AC/DC
 额定电压: 50V AC/DC
 Current rating:0.5A AC/DC
 额定电流: 0.5A AC/DC
 Withstanding voltage:250V AC/minute
 耐受电压: 250V AC/分钟
 Temperature range:-40°C~+105°C
 温度范围: -40°C~+105°C
 Insulation resistance:500MΩ
 绝缘电阻: 500MΩ
 Contact resistance:100mΩ
 接触电阻: 100mΩ

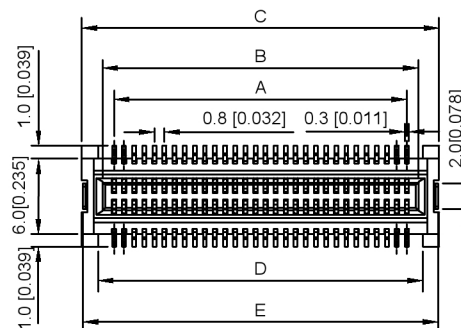


X0815 W V S - XX C S - 9T V01
 ① ② ③ ④ ⑤ ⑥ ⑦ ⑧ ⑨

- Series No
- Category:W-Wafer
- Welding Board Angle:V-Stright 180°
- Welding Way:S-SMT
- Row No.Pin No:XX-30-60Pin
- Category:C-19.75mm Height
- Special No:S-With positioning column
- Material:9T-PA9T UL94V-0
 CAP Material:PA46 UL94V-0
- Plating:Gold Plated 3u" MIN



RECOMMENDED PCB LAYOUT
 GENERAL TOLERANCE : ±0.05



Poles	Dimensions(mm)					
	A	B	C	D	E	F
30	11.20	13.00	16.30	13.70	16.10	15.00
40	15.20	17.00	20.30	17.70	20.10	19.00
50	19.20	21.00	24.30	21.70	24.10	23.00
60	23.20	25.00	28.30	25.70	28.10	27.00

X0815WVS-XXCS-9TV01	PA9T	Phosphor Bronze	X0815FVS-A	24.7mm±0.5
			X0815FVS-B	20.95mm±0.5
PART NO	Material	Material(Pin)	Suitable XKB Wafer	Mating Height

DSND	SCALE: N/A	MODEL TYPE: 0.8mm BTB Connector
DWN	VIEW:	PART NO.: X0815WVS-XXCS-9TV01
CHKD	UNIT: mm/in	DWG NO.: X-X0815WVS-XXCS-9TV01
APPD	SIZE: A4	WEIGHT
		SHEET
		REVISION
		1/1
		A0

ANGLAR	±5°
L ≤ 4	±0.2
4 < L ≤ 16	±0.3
16 < L ≤ 63	±0.4
L > 63	±0.5
UNSPECIFIED TOLERANCES	



XKB INDUSTRIAL PRECISION CO., LIMITED

广东星坤科技股份有限公司

Δx	日期
Δx	日期
Δx	日期
MARK	DESCRIPTION

文件工程章

REVISIONS	DATE	REVISED	APPROVED
www.helloxkb.com www.helloxkb.cn www.xk-dg.cn			