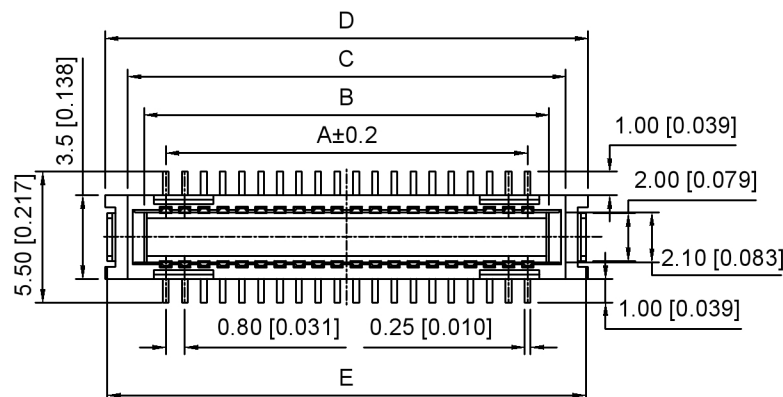
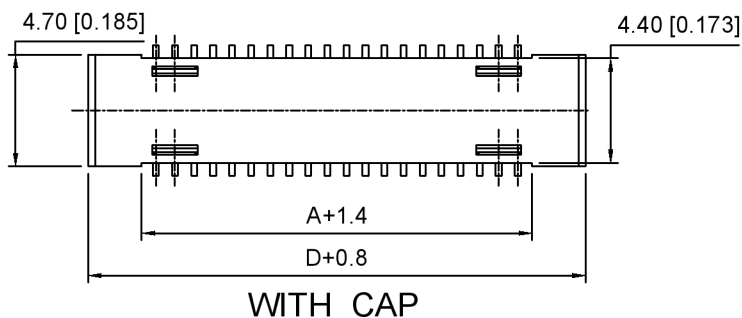


Specifications:

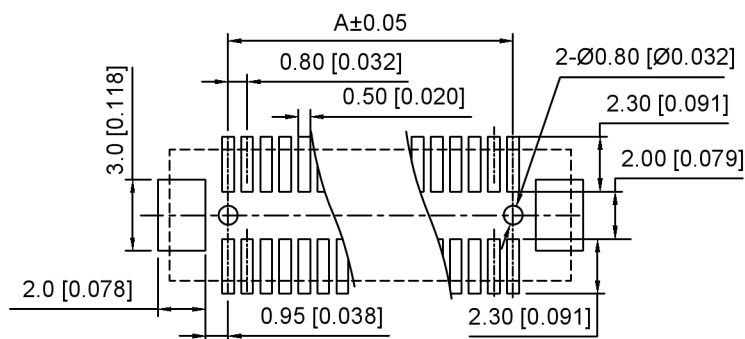
规格:
 Voltage rating:50V AC/DC
 额定电压: 50V AC/DC
 Current rating:0.5A AC/DC
 额定电流: 0.5A AC/DC
 Withstanding voltage:250V AC/minute
 耐受电压: 250V AC/分钟
 Temperature range:-40°C-+105°C
 温度范围: -40°C-+105°C
 Insulation resistance:500MΩ
 绝缘电阻: 500MΩ
 Contact resistance:100mΩ
 接触电阻: 100mΩ



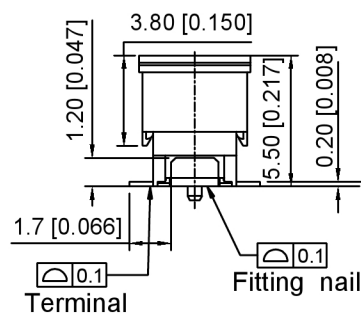
X0815 W V S - XX D S - 9T V01

① ② ③ ④ ⑤ ⑥ ⑦ ⑧ ⑨

- 1.Series No
- 2.Category:W-Wafer
- 3.Welding Board Angle:V-Stright 180°
- 4.Welding Way:S-SMT
- 5.Row No.Pin No:XX-30-80Pin
- 6.Category:D-4.8mm Height
- 7.Special No:S-With positioning column
- 8.Material:9T-PA9T UL94V-0
CAP Material:PA6T UL94V-0
- 9.Plating:Gold Plated 3u" MIN



RECOMMENDED PCB LAYOUT



WITH CAP

Poles	Dimensions(mm)				
	A	B	C	D	E
30	11.20	13.00	14.40	16.30	16.10
40	15.20	17.00	18.40	20.30	20.10
50	19.20	21.00	22.40	24.30	24.20
60	23.20	25.00	26.40	28.30	28.10
70	27.20	29.00	30.40	32.30	32.10
80	31.20	33.00	34.40	36.30	36.10

X0815WS-XXDS-9TV01	PA9T	Phosphor Bronze	X0815FVS-A	9.75mm±0.5
			X0815FVS-B	6.0mm±0.5
PART NO	Material	Material(Pin)	Suitable XKB Wafer	Mating Height

DSND		SCALE: N/A	MODEL TYPE: 0.8mm BTB Connector
DWN		VIEW:	PART NO.:
CHKD		UNIT: mm/in	X0815WS-XXDS-9TV01
APPD		SIZE: A4	DWG NO.:
			X-X0815WS-XXDS-9TV01
			WEIGHT
			SHEET
			REVISION
			1/1
			A0

广东星坤科技股份有限公司

MARK	DESCRIPTION	DATE	REVISED	APPROVED
Δx		日期		
Δx		日期		
Δx				

文件工程章

REVISIONS	UNSPECIFIED TOLERANCES
	ANGLAR ±5°
	L ≤ 4 ±0.2
	4 < L ≤ 16 ±0.3
	16 < L ≤ 63 ±0.4
	L > 63 ±0.5



XKB INDUSTRIAL PRECISION CO., LIMITED