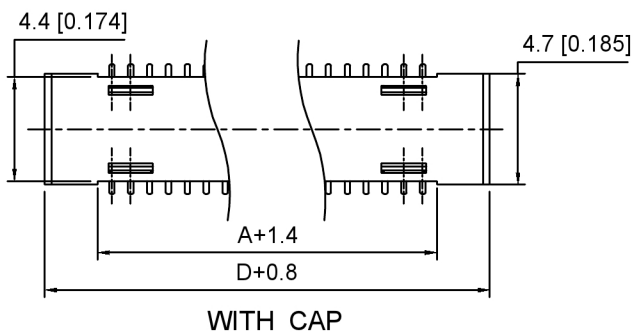
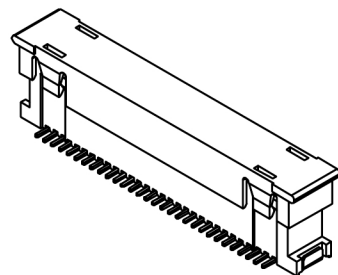
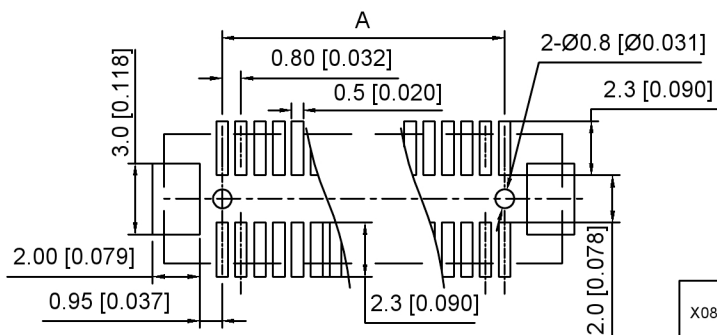
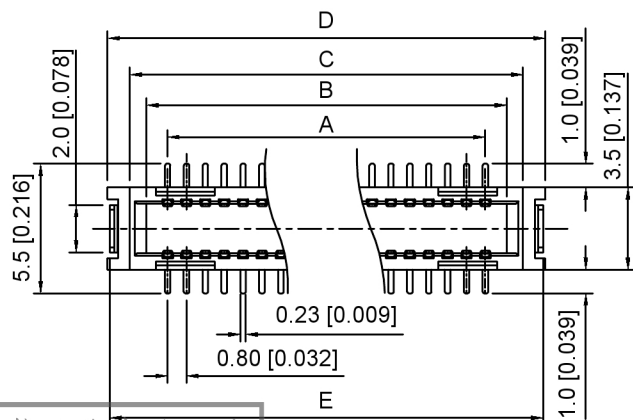
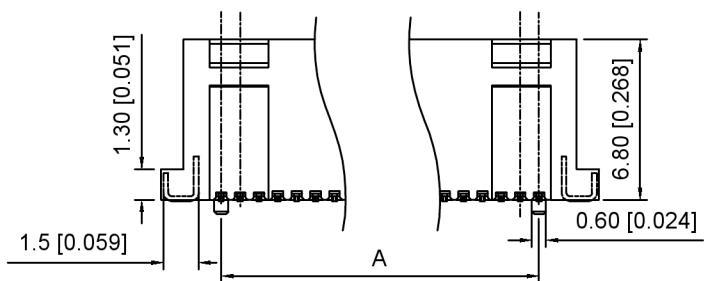


WITH CAP



WITH CAP



Recommended PCB Layout

Specifications:

规格:

Voltage rating: 50V AC/DC
 额定电压: 50V AC/DC
 Current rating: 0.5A AC/DC
 额定电流: 0.5A AC/DC
 Withstanding voltage: 250V AC/minute
 耐受电压: 250V AC/分钟
 Temperature range: -40°C~+105°C
 温度范围: -40°C~+105°C
 Insulation resistance: 500MΩ
 绝缘电阻: 500MΩ
 Contact resistance: 100mΩ
 接触电阻: 100mΩ

X0815 W V S - XX B S - 9T V01

① ② ③ ④ ⑤ ⑥ ⑦ ⑧ ⑨

- Series No
- Category: W-Wafer
- Welding Board Angle: V-Straight 180°
- Welding Way: S-SMT
- Row No. Pin No: XX-10-100Pin
- Category: B-6.8mm Height
- Special No: S-With positioning column
- Material: 9T-PA9T UL94V-0
CAP Material: PA6T UL94V-0
- Plating: Gold Plated 4u" MIN

Poles	Dimensions(mm)				
	A	B	C	D	E
10	3.20	5.00	6.40	8.30	8.10
20	7.20	9.00	10.40	12.30	12.10
30	11.20	13.00	14.40	16.30	16.10
40	15.20	17.00	18.40	20.30	20.10
50	19.20	21.00	22.40	24.30	24.10
60	23.20	25.00	26.40	28.30	28.10
70	27.20	29.00	30.40	32.30	32.10
80	31.20	33.00	34.40	36.30	36.10
90	35.20	37.00	38.40	40.30	40.10
100	39.20	41.00	42.40	44.30	44.10

X0815WS-XXBS-9TV01	PA9T	Phosphor Bronze	X0815FVS-A	11.75mm±0.5
			X0815FVS-B	8.0mm±0.5
PART NO	Material	Material(Pin)	Suitable XKB Wafer	Mating Height

DSND		SCALE: N/A	MODEL TYPE: 0.8mm BTB Connector
DWN		VIEW:	PART NO.: X0815WS-XXBS-9TV01
CHKD		UNIT: mm/in	DWG NO.: X-X0815WS-XXBS-9TV01
APPD		SIZE: A4	WEIGHT
			SHEET
			REVISION
			1/1
			A0



XKB INDUSTRIAL PRECISION CO., LIMITED

ANGULAR	±5°
L ≤ 4	±0.2
4 < L ≤ 16	±0.3
16 < L ≤ 63	±0.4
L > 63	±0.5
UNSPECIFIED TOLERANCES	

广东星坤科技股份有限公司
 日期
 文件工程章