
4-Port USB 3.2 Gen 1 SmartHub™ Controller

Highlights

- 4-Port USB SmartHub with:
 - USB Gen 1 Type-B® on upstream port
 - Native USB Gen 1 Type-C® support on downstream ports 1 and 2
 - One Standard USB 3.2 Gen 1 downstream port
 - One Standard USB 2.0 downstream port
 - Internal Hub Feature Controller enables:
 - USB to I²C/SPI/UART/I²S/GPIO bridge endpoint support
 - USB to internal hub register write and read
- USB Billboard Device for use with external Power Delivery controllers
- USB-IF Certified - TID 7095. Testing Includes:
 - Billboard endpoint device for Alternative Mode negotiation status
 - Advanced multi-port system policy management
- USB Link Power Management (LPM) support
- Programming of firmware image to external SPI memory device from USB host
- USB-IF Battery Charger revision 1.2 support on downstream ports (DCP, CDP, SDP)
- Enhanced OEM configuration options available through either OTP or external SPI memory
- Available in 100-pin (12mm x 12mm) VQFN RoHS compliant package
- Commercial & industrial grade temp. support
- Automotive/AEC-Q100 qualified

Target Applications

- Standalone USB Hubs
- Laptop Docks
- PC Motherboards
- PC Monitor Docks
- Multi-function USB 3.2 Gen 1 Peripherals
- Automotive

Key Benefits

- USB 3.2 Gen 1 compliant 5 Gbps, 480 Mbps, 12 Mbps, and 1.5Mbps operation
 - 5V tolerant USB 2.0 pins
 - 1.32V tolerant USB 3.2 Gen 1 pins
- Integrated termination and pull-up/down resistors

- Native USB Type-C Support
 - Type-C CC Pin with integrated Rp and Rd resistors
 - Integrated multiplexer on USB Type-C enabled ports. USB 3.2 Gen 1 PHYs are disabled until a valid Type-C attach is detected, saving idle power.
- Control for external VCONN supply
- Supports battery charging of most popular battery powered devices on all ports
 - USB-IF Battery Charging rev. 1.2 support (DCP, CDP, SDP)
 - Apple® portable product charger emulation
 - Chinese YD/T 1591-2006/2009 charger emulation
 - European Union universal mobile charger support
 - Supports additional portable devices
- On-chip Microcontroller
 - manages I/Os, VBUS, and other signals
- 96kB RAM, 256kB ROM
- 8kB One-Time-Programmable (OTP) ROM
 - Includes on-chip charge pump
- Configuration programming via OTP Memory, SPI external memory, or SMBus
- **FlexConnect**
 - The roles of the upstream and all downstream ports are reversible on command
- **USB Bridging**
 - USB to I²C, SPI, UART, I²S, and GPIO
- **PortSwap**
 - Configurable USB 2.0 differential pair signal swap
- **PHYBoost**
 - Programmable USB transceiver drive strength for recovering signal integrity
- **VariSense**
 - Programmable USB receive sensitivity
- **PortSplit**
 - USB 2.0 and USB 3.2 Gen 1 port operation can be split for custom applications using embedded USB 3.x devices in parallel with USB 2.0 devices
- Compatible with Microsoft Windows 11, 10, 8, 7, XP, Apple OS X 10.4+, and Linux hub drivers
- Optimized for low-power operation and low thermal dissipation
- 100-pin VQFN package (12mm x 12mm)

* USB Type-C® and USB-C® are registered trademarks of USB Implementers Forum.

TO OUR VALUED CUSTOMERS

It is our intention to provide our valued customers with the best documentation possible to ensure successful use of your Microchip products. To this end, we will continue to improve our publications to better suit your needs. Our publications will be refined and enhanced as new volumes and updates are introduced.

If you have any questions or comments regarding this publication, please contact the Marketing Communications Department via E-mail at docerrors@microchip.com or fax the **Reader Response Form** in the back of this data sheet to (480) 792-4150. We welcome your feedback.

Most Current Data Sheet

To obtain the most up-to-date version of this data sheet, please register at our Worldwide Web site at:

<http://www.microchip.com>

You can determine the version of a data sheet by examining its literature number found on the bottom outside corner of any page. The last character of the literature number is the version number, (e.g., DS30000A is version A of document DS30000).

Errata

An errata sheet, describing minor operational differences from the data sheet and recommended workarounds, may exist for current devices. As device/documentation issues become known to us, we will publish an errata sheet. The errata will specify the revision of silicon and revision of document to which it applies.

To determine if an errata sheet exists for a particular device, please check with one of the following:

- Microchip's Worldwide Web site; <http://www.microchip.com>
- Your local Microchip sales office (see last page)

When contacting a sales office, please specify which device, revision of silicon and data sheet (include literature number) you are using.

Customer Notification System

Register on our web site at www.microchip.com to receive the most current information on all of our products.

1.0 PREFACE

1.1 General Terms

TABLE 1-1: GENERAL TERMS

Term	Description
ADC	Analog-to-Digital Converter
Byte	8 bits
CDC	Communication Device Class
CSR	Control and Status Registers
DFP	Downstream Facing Port
DWORD	32 bits
EOP	End of Packet
EP	Endpoint
FIFO	First In First Out buffer
FS	Full-Speed
FSM	Finite State Machine
GPIO	General Purpose I/O
HS	Hi-Speed
HSOS	High Speed Over Sampling
Hub Feature Controller	The Hub Feature Controller, sometimes called a Hub Controller for short is the internal processor used to enable the unique features of the USB Controller Hub. This is not to be confused with the USB Hub Controller that is used to communicate the hub status back to the Host during a USB session.
I²C	Inter-Integrated Circuit
LS	Low-Speed
lsb	Least Significant Bit
LSB	Least Significant Byte
msb	Most Significant Bit
MSB	Most Significant Byte
N/A	Not Applicable
NC	No Connect
OTP	One Time Programmable
PCB	Printed Circuit Board
PCS	Physical Coding Sublayer
PHY	Physical Layer
PLL	Phase Lock Loop
RESERVED	Refers to a reserved bit field or address. Unless otherwise noted, reserved bits must always be zero for write operations. Unless otherwise noted, values are not guaranteed when reading reserved bits. Unless otherwise noted, do not read or write to reserved addresses.
SDK	Software Development Kit
SMBus	System Management Bus
UFP	Upstream Facing Port
UUID	Universally Unique IDentifier
WORD	16 bits

USB7052N

1.2 Buffer Types

TABLE 1-2: BUFFER TYPES

Buffer Type	Description
I	Input.
IS	Input with Schmitt trigger.
O12	Output buffer with 12 mA sink and 12 mA source.
OD12	Open-drain output with 12 mA sink
PU	50 μ A (typical) internal pull-up. Unless otherwise noted in the pin description, internal pull-ups are always enabled. Internal pull-up resistors prevent unconnected inputs from floating. Do not rely on internal resistors to drive signals external to the device. When connected to a load that must be pulled high, an external resistor must be added.
PD	50 μ A (typical) internal pull-down. Unless otherwise noted in the pin description, internal pull-downs are always enabled. Internal pull-down resistors prevent unconnected inputs from floating. Do not rely on internal resistors to drive signals external to the device. When connected to a load that must be pulled low, an external resistor must be added.
ICLK	Crystal oscillator input pin
OCLK	Crystal oscillator output pin
I/O-U	Analog input/output defined in USB specification.
I-R	RBIAS.
A	Analog.
AIO	Analog bidirectional.
P	Power pin.

1.3 Pin Reset States

The pin reset state definitions are detailed in [Table 1-3](#). Refer to [Section 3.1, Pin Assignments](#) for details on individual pin reset states.

TABLE 1-3: PIN RESET STATE LEGEND

Symbol	Description
AI	Analog input
AIO	Analog input/output
AO	Analog output
PD	Hardware enables pull-down
PU	Hardware enables pull-up
Y	Hardware enables function
Z	Hardware disables output driver (high impedance)
PU	Hardware enables internal pull-up
PD	Hardware enables internal pull-down

1.4 Reference Documents

1. *Universal Serial Bus Revision 3.2 Specification*, <http://www.usb.org>
2. *Battery Charging Specification*, Revision 1.2, Dec. 07, 2010, <http://www.usb.org>
3. *I²C-Bus Specification*, Version 1.1, http://www.nxp.com/documents/user_manual/UM10204.pdf
4. *I²S-Bus Specification*, <http://www.sparkfun.com/datasheets/BreakoutBoards/I2SBUS.pdf>
5. *System Management Bus Specification*, Version 1.0, <http://smbus.org/specs>

USB7052N

2.0 INTRODUCTION

2.1 General Description

The Microchip USB7052N hub is a low-power, OEM configurable, USB 3.2 Gen 1 hub controller with 4 downstream ports and advanced features for embedded USB applications. The USB7052N is fully compliant with the Universal Serial Bus Revision 3.2 Specification and USB 2.0 Link Power Management Addendum. The USB7052N supports 5 Gbps SuperSpeed (SS), 480 Mbps Hi-Speed (HS), 12 Mbps Full-Speed (FS), and 1.5 Mbps Low-Speed (LS) USB downstream devices on three standard USB 3.2 Gen 1 downstream ports and only legacy speeds (HS/FS/LS) on one standard USB 2.0 downstream port.

The USB7052N is a standard USB 3.2 Gen 2 hub that supports native basic Type-C with integrated CC logic on two downstream ports. The downstream Type-C ports include internal USB 3.2 Gen 2 multiplexers; no external multiplexer is required for Type-C support.

Note: The USB7052N is not designed to interface with external PD controllers on the native Type-C ports. Contact Microchip sales and support for suggestions.

The USB7052N supports the legacy USB speeds (HS/FS/LS) through a dedicated USB 2.0 hub controller that is the culmination of seven generations of Microchip hub feature controller design and experience with proven reliability, interoperability, and device compatibility. The SuperSpeed hub controller operates in parallel with the USB 2.0 controller, decoupling the 5 Gbps SS data transfers from bottlenecks due to the slower USB 2.0 traffic.

The USB7052N enables OEMs to configure their system using “Configuration Straps.” These straps simplify the configuration process assigning default values to USB 3.2 Gen 1 ports and GPIOs. OEMs can disable ports, enable battery charging and define GPIO functions as default assignments on power up removing the need for OTP or external SPI ROM.

The USB7052N supports downstream battery charging. The USB7052N integrated battery charger detection circuitry supports the USB-IF Battery Charging (BC1.2) detection method and most Apple devices. The USB7052N provides the battery charging handshake and supports the following USB-IF BC1.2 charging profiles:

- DCP: Dedicated Charging Port (Power brick with no data)
- CDP: Charging Downstream Port (1.5A with data)
- SDP: Standard Downstream Port (0.5A[USB 2.0]/0.9A[USB 3.2] with data)

Additionally, the USB7052N includes many powerful and unique features such as:

The Hub Feature Controller, an internal USB device dedicated for use as a USB to I²C/UART/SPI/GPIO interface that allows external circuits or devices to be monitored, controlled, or configured via the USB interface.

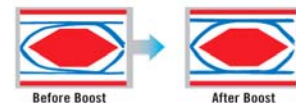
FlexConnect, which provides flexible connectivity options. One of the USB7052N’s downstream ports can be reconfigured to become the upstream port, allowing master capable devices to control other devices on the hub.

AEC-Q100 compliance, which tailors the device for use in automotive applications requiring automotive grade robustness, starting with the comprehension of proprietary design for reliability techniques within the silicon IC itself, as well as for the package design.

- Automotive qualified technologies and processes are used to fabricate the products with enhanced monitors to continuously drive improvements in accordance with Microchip’s zero-dpm methodology.
- Product qualification is focused on customer expectations and exceeds many of the automotive reliability standards including AEC-Q100.
- Microchip automotive services are provided during the life of the product from a dedicated organization of operations, quality, and product support personnel specialized in meeting the requirements of the automotive customer.

PortSwap, which adds per-port programmability to USB differential-pair pin locations. PortSwap allows direct alignment of USB signals (D+/D-) to connectors to avoid uneven trace length or crossing of the USB differential signals on the PCB.

PHYBoost, which provides programmable levels of Hi-Speed USB signal drive strength in the downstream port transceivers. PHYBoost attempts to restore USB signal integrity in a compromised system environment. The graphic on the right shows an example of Hi-Speed USB eye diagrams before and after PHYBoost signal integrity restoration. in a compromised system environment.



VariSense, which controls the Hi-Speed USB receiver sensitivity enabling programmable levels of USB signal receive sensitivity. This capability allows operation in a sub-optimal system environment, such as when a captive USB cable is used.

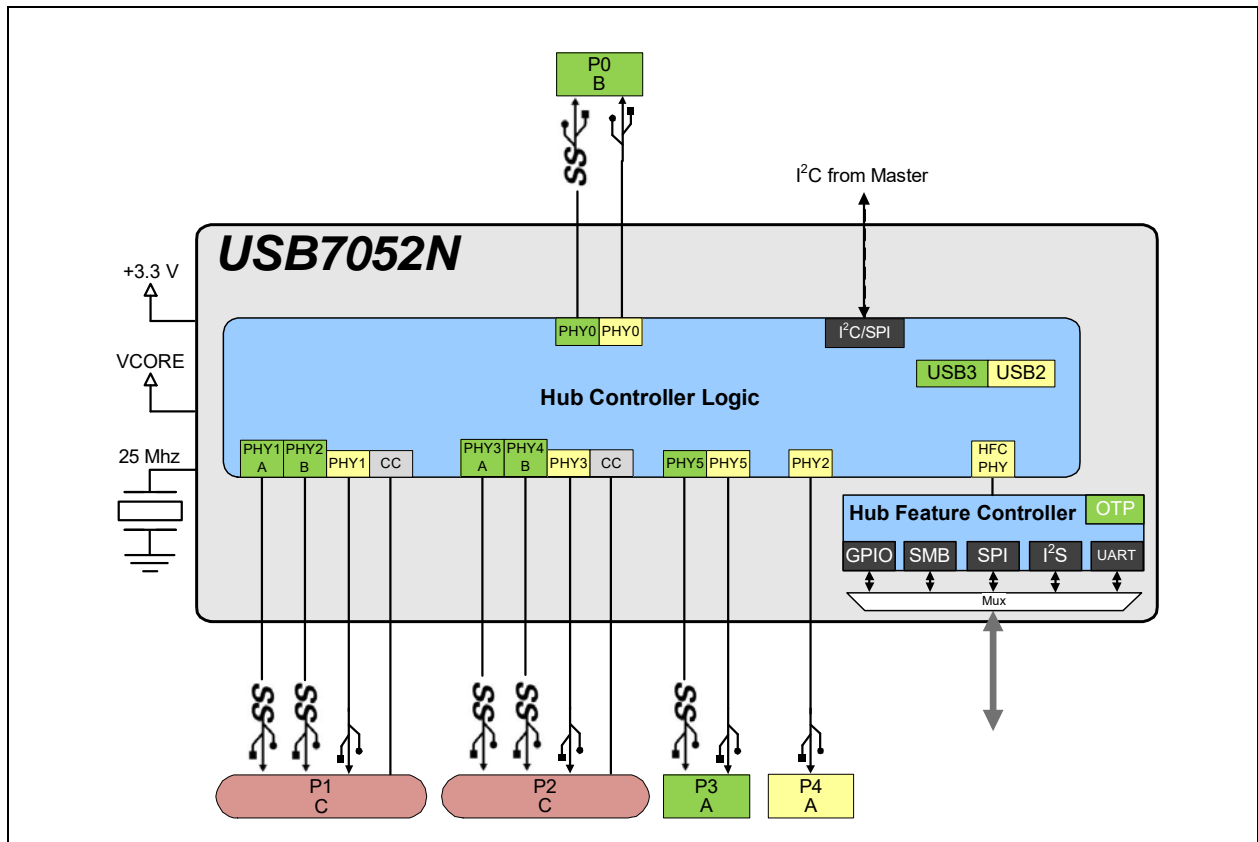
Port Split, which allows for the USB 3.2 Gen 1 and USB 2.0 portions of downstream port 3 to operate independently and enumerate two separate devices in parallel in special applications.

USB Power Delivery Billboard Device, which allows an internal device to enumerate as a Billboard class device when a Power Delivery Alternate Mode negotiation has failed. The Billboard device will enumerate temporarily to the host PC when a failure occurs, as indicated by a digital signal from an external Power Delivery controller. Billboard descriptors are OEM-configurable via OTP programming.

The USB7052N can be configured for operation through internal default settings. Custom OEM configurations are supported through external SPI ROM or OTP ROM. All port control signal pins are under firmware control in order to allow for maximum operational flexibility and are available as GPIOs for customer specific use.

The USB7052N is available in commercial (0°C to +70°C) and industrial/automotive (-40°C to +85°C) temperature ranges. An internal block diagram of the USB7052N in an upstream Type-C application is shown in [Figure 2-1](#).

FIGURE 2-1: USB7052N INTERNAL BLOCK DIAGRAM - UPSTREAM TYPE-B APPLICATION



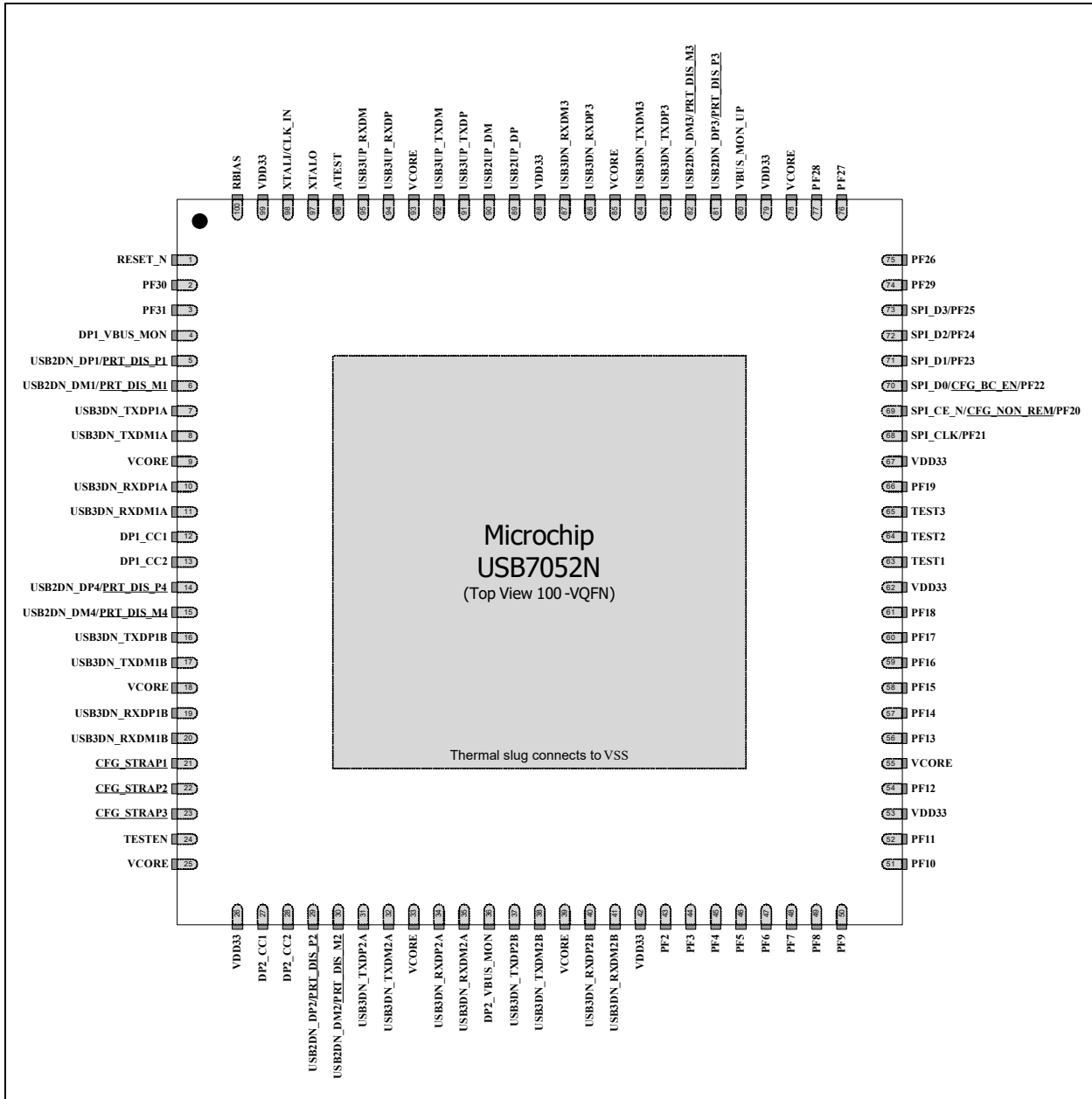
Note: All port numbering in this document is LOGICAL port numbering with the device in the default configuration. LOGICAL port numbering is the numbering as communicated to the USB host. It is the end result after any port number remapping or port disabling. The PHYSICAL port number is the port number with respect to the physical PHY on the chip. PHYSICAL port numbering is fixed and the settings are not impacted by LOGICAL port renumbering/remapping. Certain port settings are made with respect to LOGICAL port numbering, and other port settings are made with respect to PHYSICAL port numbering. Refer to the “Configuration of USB70xx Family” application note for details on the LOGICAL vs. PHYSICAL mapping and additional configuration details.

USB7052N

3.0 PIN DESCRIPTIONS

3.1 Pin Assignments

FIGURE 3-1: USB7052N 100-VQFN PIN ASSIGNMENTS



Note: Configuration straps are identified by an underlined symbol name. Signals that function as configuration straps must be augmented with an external resistor when connected to a load.

USB7052N

Pin Num	Pin Name	Reset	Pin Num	Pin Name	Reset
1	RESET_N	Z	51	PF10	PD
2	PF30	Z	52	PF11	PD
3	PF31	Z	53	VDD33	Z
4	DP1_VBUS_MON	AI	54	PF12	PD
5	USB2DN_DP1/PRT_DIS_P1	AIO PD	55	VCORE	Z
6	USB2DN_DM1/PRT_DIS_M1	AIO PD	56	PF13	PD
7	USB3DN_TXDP1A	AO PD	57	PF14	PD
8	USB3DN_TXDM1A	AO PD	58	PF15	PD
9	VCORE	Z	59	PF16	PD
10	USB3DN_RXDP1A	AI PD	60	PF17	PD
11	USB3DN_RXDM1A	AI PD	61	PF18	Z
12	DP1_CC1	AI	62	VDD33	Z
13	DP1_CC2	AI	63	TEST1	Z
14	USB2DN_DP4/PRT_DIS_P4	AIO PD	64	TEST2	Z
15	USB2DN_DM4/PRT_DIS_M4	AIO PD	65	TEST3	Z
16	USB3DN_TXDP1B	AO PD	66	PF19	Z
17	USB3DN_TXDM1B	AO PD	67	VDD33	Z
18	VCORE	Z	68	SPI_CLK/PF21	Z
19	USB3DN_RXDP1B	AI PD	69	SPI_CE_N/CFG_NON_REM/PF20	PU
20	USB3DN_RXDM1B	AI PD	70	SPI_D0/CFG_BC_EN/PF22	Z
21	CFG_STRAP1	Z	71	SPI_D1/PF23	Z
22	CFG_STRAP2	Z	72	SPI_D2/PF24	Z
23	CFG_STRAP3	Z	73	SPI_D3/PF25	Z
24	TESTEN	Z	74	PF29	Z
25	VCORE	Z	75	PF26	Z
26	VDD33	Z	76	PF27	Z
27	DP2_CC1	AI	77	PF28	Z
28	DP2_CC2	AI	78	VCORE	Z
29	USB2DN_DP2/PRT_DIS_P2	AIO PD	79	VDD33	Z
30	USB2DN_DM2/PRT_DIS_M2	AIO PD	80	VBUS_MON_UP	AI
31	USB3DN_TXDP2A	AO PD	81	USB2DN_DP3/PRT_DIS_P3	AIO PD
32	USB3DN_TXDM2A	AO PD	82	USB2DN_DM3/PRT_DIS_M3	AIO PD
33	VCORE	Z	83	USB3DN_TXDP3	AO PD
34	USB3DN_RXDP2A	AI PD	84	USB3DN_TXDM3	AO PD
35	USB3DN_RXDM2A	AI PD	85	VCORE	Z
36	DP2_VBUS_MON	AI	86	USB3DN_RXDP3	AI PD
37	USB3DN_TXDP2B	AO PD	87	USB3DN_RXDM3	AI PD
38	USB3DN_TXDM2B	AO PD	88	VDD33	Z
39	VCORE	Z	89	USB2UP_DP	AIO Z
40	USB3DN_RXDP2B	AI PD	90	USB2UP_DM	AIO Z
41	USB3DN_RXDM2B	AI PD	91	USB3UP_TXDP	AO PD
42	VDD33	Z	92	USB3UP_TXDM	AO PD
43	PF2	Z	93	VCORE	Z
44	PF3	Z	94	USB3UP_RXDP	AI PD
45	PF4	Z	95	USB3UP_RXDM	AI PD
46	PF5	Z	96	ATEST	AO
47	PF6	Z	97	XTALO	AO
48	PF7	Z	98	XTAL1/CLK_IN	AI
49	PF8	Z	99	VDD33	Z
50	PF9	Z	100	RBIAS	AI

Exposed Pad (VSS) must be connected to ground.

USB7052N

3.2 Pin Descriptions

This section contains descriptions of the various USB7052N pins. The “_N” symbol in the signal name indicates that the active, or asserted, state occurs when the signal is at a low voltage level. For example, **RESET_N** indicates that the reset signal is active low. When “_N” is not present after the signal name, the signal is asserted when at the high voltage level.

The terms assertion and negation are used exclusively. This is done to avoid confusion when working with a mixture of “active low” and “active high” signal. The term assert, or assertion, indicates that a signal is active, independent of whether that level is represented by a high or low voltage. The term negate, or negation, indicates that a signal is inactive.

The “If Unused” column provides information on how to terminate pins if they are unused in a customer design.

Buffer type definitions are detailed in [Section 1.2, Buffer Types](#).

Note: 100kOhm is the recommended value any time a weak pull-down or pull-up resistor is called for.

TABLE 3-1: PIN DESCRIPTIONS

Name	Symbol	Buffer Type	Description	If Unused
USB 3.2 Gen 1 Interfaces				
Upstream USB 3.2 Gen 1 TX D+	USB3UP_TXDP	I/O-U	Upstream USB 3.2 Gen 1 Transmit Data Plus.	Float
Upstream USB 3.2 Gen 1 TX D-	USB3UP_TXDM	I/O-U	Upstream USB 3.2 Gen 1 Transmit Data Minus.	Float
Upstream USB 3.2 Gen 1 RX D+	USB3UP_RXDP	I/O-U	Upstream USB 3.2 Gen 1 Receive Data Plus.	Weak pull-down to GND
Upstream USB 3.2 Gen 1 RX D-	USB3UP_RXDM	I/O-U	Upstream USB 3.2 Gen 1 Receive Data Minus.	Weak pull-down to GND
Downstream Port 1 USB 3.2 Gen 1 TX D+ Orientation A	USB3DN_TXDP1A	I/O-U	Downstream USB Type-C® “Orientation A” SuperSpeed Transmit Data Plus, port 1.	Float
Downstream Port 1 USB 3.2 Gen 1 TX D- Orientation A	USB3DN_TXDM1A	I/O-U	Downstream USB Type-C “Orientation A” SuperSpeed Transmit Data Minus, port 1.	Float
Downstream Port 1 USB 3.2 Gen 1 RX D+ Orientation A	USB3DN_RXDP1A	I/O-U	Downstream USB Type-C “Orientation A” SuperSpeed Receive Data Plus, port 1.	Weak pull-down to GND
Downstream Port 1 USB 3.2 Gen 1 RX D- Orientation A	USB3DN_RXDM1A	I/O-U	Downstream USB Type-C “Orientation A” SuperSpeed Receive Data Minus, port 1.	Weak pull-down to GND
Downstream Port 1 USB 3.2 Gen 1 TX D+ Orientation B	USB3DN_TXDP1B	I/O-U	Downstream USB Type-C “Orientation B” SuperSpeed Transmit Data Plus, port 1.	Float

TABLE 3-1: PIN DESCRIPTIONS (CONTINUED)

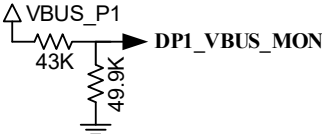
Name	Symbol	Buffer Type	Description	If Unused
Downstream Port 1 USB 3.2 Gen 1 TX D- Orientation B	USB3DN_TXDM1B	I/O-U	Downstream USB Type-C “Orientation B” SuperSpeed Transmit Data Minus, port 1.	Float
Downstream Port 1 USB 3.2 Gen 1 RX D+ Orientation B	USB3DN_RXDP1B	I/O-U	Downstream USB Type-C “Orientation B” SuperSpeed Receive Data Plus, port 1.	Weak pull-down to GND
Downstream Port 1 USB 3.2 Gen 1 RX D- Orientation B	USB3DN_RXDM1B	I/O-U	Downstream USB Type-C “Orientation B” SuperSpeed Receive Data Minus, port 1.	Weak pull-down to GND
Downstream Port 2 USB 3.2 Gen 2 TX D+ Orientation A	USB3DN_TXDP2A	I/O-U	Downstream USB Type-C “Orientation A” SuperSpeed Transmit Data Plus, port 2.	Float
Downstream Port 2 USB 3.2 Gen 2 TX D- Orientation A	USB3DN_TXDM2A	I/O-U	Downstream USB Type-C “Orientation A” SuperSpeed Transmit Data Minus, port 2.	Float
Downstream Port 2 USB 3.2 Gen 2 RX D+ Orientation A	USB3DN_RXDP2A	I/O-U	Downstream USB Type-C “Orientation A” SuperSpeed Receive Data Plus, port 2.	Weak pull-down to GND
Downstream Port 2 USB 3.2 Gen 2 RX D- Orientation A	USB3DN_RXDM2A	I/O-U	Downstream USB Type-C “Orientation A” SuperSpeed Receive Data Minus, port 2.	Weak pull-down to GND
Downstream Port 2 USB 3.2 Gen 2 TX D+ Orientation B	USB3DN_TXDP2B	I/O-U	Downstream USB Type-C “Orientation B” SuperSpeed Transmit Data Plus, port 2.	Float
Downstream Port 2 USB 3.2 Gen 2 TX D- Orientation B	USB3DN_TXDM2B	I/O-U	Downstream USB Type-C “Orientation B” SuperSpeed Transmit Data Minus, port 2.	Float
Downstream Port 2 USB 3.2 Gen 2 RX D+ Orientation B	USB3DN_RXDP2B	I/O-U	Downstream USB Type-C “Orientation B” SuperSpeed Receive Data Plus, port 2.	Weak pull-down to GND
Downstream Port 2 USB 3.2 Gen 2 RX D- Orientation B	USB3DN_RXDM2B	I/O-U	Downstream USB Type-C “Orientation B” SuperSpeed Receive Data Minus, port 2.	Weak pull-down to GND

USB7052N

TABLE 3-1: PIN DESCRIPTIONS (CONTINUED)

Name	Symbol	Buffer Type	Description	If Unused
Downstream Port 3 USB 3.2 Gen 1 TX D+	USB3DN_TXDP3	I/O-U	Downstream SuperSpeed+ Transmit Data Plus, port 3.	Float
Downstream Port 3 USB 3.2 Gen 1 TX D-	USB3DN_TXDM3	I/O-U	Downstream SuperSpeed+ Transmit Data Minus, port 3.	Float
Downstream Port 3 USB 3.2 Gen 1 RX D+	USB3DN_RXDP3	I/O-U	Downstream SuperSpeed+ Receive Data Plus, port 3.	Weak pull-down to GND
Downstream Port 3 USB 3.2 Gen 1 RX D-	USB3DN_RXDM3	I/O-U	Downstream SuperSpeed+ Receive Data Minus, port 3.	Weak pull-down to GND
USB 2.0 Interfaces				
Upstream USB 2.0 D+	USB2UP_DP	I/O-U	Upstream USB 2.0 Data Plus (D+).	Mandatory Note 3-11
Upstream USB 2.0 D-	USB2UP_DM	I/O-U	Upstream USB 2.0 Data Minus (D-).	Mandatory Note 3-11
Downstream Ports 1-4 USB 2.0 D+	USB2DN_DP[1:4]	I/O-U	Downstream USB 2.0 Ports 1-4 Data Plus (D+).	Connect directly to 3.3V
Downstream Ports 1-4 USB 2.0 D-	USB2DN_DM[1:4]	I/O-U	Downstream USB 2.0 Ports 1-4 Data Minus (D-)	Connect directly to 3.3V
SPI Interface				
SPI Clock	SPI_CLK	I/O-U	SPI clock. This pin should have a weak pull-down resistor connected at all times to ensure the pin stays low during reset.	Weak pull-down to GND
SPI Data 3-0	SPI_D[3:0]	I/O-U	SPI Data 3-0. If the SPI interface is enabled, these signals function as Data 3 through 0. Note 3-1 SPI_D0 operates as the CFG_BC_EN strap if external SPI memory is not used. It must be terminated with the selected strap resistor to 3.3V or GND. SPI_D[1:3] should be connected to GND through a weak pull-down.	Note 3-1

TABLE 3-1: PIN DESCRIPTIONS (CONTINUED)

Name	Symbol	Buffer Type	Description	If Unused
SPI Chip Enable	SPI_CE_N	I/O12	Active low SPI chip enable input. If the SPI interface is enabled, this pin must be driven high in powerdown states. Note 3-2 Operates as the CFG_NON_REM strap if external SPI memory is not used. It must be terminated with the selected strap resistor to 3.3V or GND.	Note 3-2
USB Type-C Connector Control				
Downstream Port 1 Type-C Voltage Monitor	DPI_VBUS_MON	AIO	Used to detect Type-C VBUS vSafe5V and vSafe0V states on Port 1. Externally, VBUS can be as high as 5.5 V, which can be damaging to this pin. The amplitude of VBUS must be reduced by a voltage divider. The recommended voltage divider is shown below. 1% tolerance resistors are recommended.  Note: For proper Type-C port operation, it is critical that this pin actually be connected to VBUS of the port through the recommended resistor divider. This pin should not be tied permanently to a fixed voltage power rail. Note 3-3 If unused: Weak pull-down to GND. This pin may be left unused if Port 1 is disabled or reconfigured to operate in legacy Type-A mode through hub configuration.	Note 3-3
Downstream Port 1 Type-C CC1	DPI_CC1	I/O12	Used for Type-C attach and orientation detection on Port 1. Includes configurable Rp/Ra selection. Connect this pin directly to the CC1 pin of the respective Type-C connector. Note 3-4 If unused: Weak pull-down to GND. This pin may only be left unused if Port 1 is disabled or reconfigured to operate in legacy Type-A mode through hub configuration.	Note 3-4

USB7052N

TABLE 3-1: PIN DESCRIPTIONS (CONTINUED)

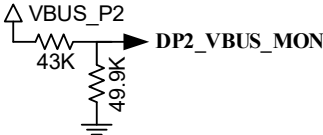
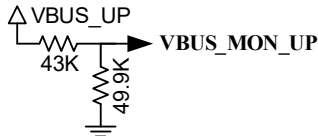
Name	Symbol	Buffer Type	Description	If Unused
Downstream Port 1 Type-C CC2	DP1_CC2	I/O12	Used for Type-C attach and orientation detection on Port 1. Includes configurable Rp/Ra selection. Connect this pin directly to the CC2 pin of the respective Type-C connector. Note 3-5 If unused: Weak pull-down to GND. This pin may only be left unused if Port 1 is disabled or reconfigured to operate in legacy Type-A mode through hub configuration.	Note 3-5
Downstream Port 2 Type-C Voltage Monitor	DP2_VBUS_MON	AIO	Used for detect Type-C VBUS vSafe5V and vSafe0V states on Port 2. Externally, VBUS can be as high as 5.5 V, which can be damaging to this pin. The amplitude of VBUS must be reduced by a voltage divider. The recommended voltage divider is shown below. 1% tolerance resistors are recommended.  Note: For proper Type-C port operation, it is critical that this pin actually be connected to VBUS of the port through the recommended resistor divider. This pin should not be tied permanently to a fixed voltage power rail. Note 3-6 If unused: Weak pull-down to GND. This pin may be left unused if Port 2 is disabled or reconfigured to operate in legacy Type-A mode through hub configuration.	Note 3-6
Downstream Port 2 Type-C CC1	DP2_CC1	I/O12	Used for Type-C attach and orientation detection on Port 2. Includes configurable Rp/Ra selection. Connect this pin directly to the CC1 pin of the respective Type-C connector. Note 3-7 If unused: Weak pull-down to GND. This pin may only be left unused if Port 2 is disabled or reconfigured to operate in legacy Type-A mode through hub configuration.	Note 3-7

TABLE 3-1: PIN DESCRIPTIONS (CONTINUED)

Name	Symbol	Buffer Type	Description	If Unused
Downstream Port 2 Type-C CC2	DP2_CC2	I/O12	Used for Type-C attach and orientation detection on Port 2. Includes configurable Rp/Ra selection. Connect this pin directly to the CC2 pin of the respective Type-C connector. Note 3-8 If unused: Weak pull-down to GND. This pin may only be left unused if Port 2 is disabled or reconfigured to operate in legacy Type-A mode through hub configuration.	Note 3-8
Upstream Voltage Monitor	VBUS_MON_UP	I/O12	Used to detect VBUS on the upstream port. Externally, VBUS can be as high as 5.5 V, which can be damaging to this pin. The amplitude of VBUS must be reduced by a voltage divider. The recommended voltage divider is shown below. 1% tolerance resistors are recommended.  Note: For embedded host applications, this pin should be controlled by an I/O on the host processor to a 2.68V logic level. Note: If USB Power Delivery is implemented on the upstream port, VBUS_MON_UP should not be connected to VBUS, as VBUS can reach as high as 20V (Standard Power Range) or 48V (Extended Power Range). Instead, the USB Power Delivery controller should assert an I/O to provide a nominal 2.7V voltage to the pin when a valid Type-C connection is detected.	Mandatory Note 3-11
Miscellaneous				
Programmable Function Pins	PF[31:2]	I/O12	Programmable function pins. Note 3-9 If unused: depends on the configured pin function. Refer to Section 3.3.4, PF[31:2] Configuration (CFG_STRAP[2:1])	Note 3-9

USB7052N

TABLE 3-1: PIN DESCRIPTIONS (CONTINUED)

Name	Symbol	Buffer Type	Description	If Unused
Test 1	TEST1	A	Test 1 pin. This signal is used for test purposes and must always be pulled-up to 3.3V via a 10 k Ω resistor.	Pull to 3.3V through a 10 k Ω resistor
Test 2	TEST2	A	Test 2 pin. This signal is used for test purposes and must always be pulled-up to 3.3V or GND via a 10 k Ω resistor.	Pull to 3.3V or GND through a 10 k Ω resistor
Test 3	TEST3	A	Test 3 pin. This signal is used for test purposes and must always be pulled-up to 3.3V or GND via a 10 k Ω resistor.	Pull to 3.3V or GND through a 10 k Ω resistor
Reset Input	RESET_N	IS	This active low signal is used by the system to reset the device.	Mandatory Note 3-11
Bias Resistor	RBIAS	I-R	A 12.0 k Ω \pm 1.0% resistor is attached from ground to this pin to set the transceiver's internal bias settings. Place the resistor as close the device as possible with a dedicated, low impedance connection to the ground plane.	Mandatory Note 3-11
Test	TESTEN	I/O12	Test pin. This signal is used for test purposes and must always be connected to ground.	Connect to GND
Analog Test	ATEST	A	Analog test pin. This signal is used for test purposes and must always be left unconnected.	Float
External 25 MHz Crystal Input	XTALI	ICLK	External 25 MHz crystal input	Mandatory Note 3-11
External 25 MHz Reference Clock Input	CLK_IN	ICLK	External reference clock input. The device may alternatively be driven by a single-ended clock oscillator. When this method is used, XTALO should be left unconnected.	Mandatory Note 3-11
External 25 MHz Crystal Output	XTALO	OCLK	External 25 MHz crystal output	Float (only if single-ended clock is connected to CLK_IN)

TABLE 3-1: PIN DESCRIPTIONS (CONTINUED)

Name	Symbol	Buffer Type	Description	If Unused
Configuration Straps				
Port 4-1 D+ Disable Configuration Strap	<u>PRT_DIS_P[4:1]</u>	I	Port 4-1 D+ Disable Configuration Strap. These configuration straps are used in conjunction with the corresponding <u>PRT_DIS_M[4:1]</u> straps to disable the related port (4-1). See Note 3-12 . Both USB data pins for the corresponding port must be tied to 3.3V to disable the associated downstream port.	N/A
Port 4-1 D- Disable Configuration Strap	<u>PRT_DIS_M[4:1]</u>	I	Port 4-1 D- Disable Configuration Strap. These configuration straps are used in conjunction with the corresponding <u>PRT_DIS_P[4:1]</u> straps to disable the related port (4-1). See Note 3-12 . Both USB data pins for the corresponding port must be tied to 3.3V to disable the associated downstream port.	Mandatory Note 3-11
Non-Removable Ports Configuration Strap	<u>CFG_NON_REM</u>	I	Non-Removable Ports Configuration Strap. This configuration strap controls the number of reported non-removable ports. See Note 3-12 . Note 3-10 Mandatory if external SPI memory is not used for firmware execution. If external SPI memory is used for firmware execution, then configuration strap resistor should be omitted.	Note 3-10
Battery Charging Configuration Strap	<u>CFG_BC_EN</u>	I/O12	Battery Charging Configuration Strap. This configuration strap controls the number of BC 1.2 enabled downstream ports. See Note 3-12 . Note 3-11 Mandatory if external SPI memory is not used for firmware execution. If external SPI memory is used for firmware execution, then configuration strap resistor should be omitted.	Mandatory Note 3-11

USB7052N

TABLE 3-1: PIN DESCRIPTIONS (CONTINUED)

Name	Symbol	Buffer Type	Description	If Unused
Device Mode Configuration Straps 3-1	<u>CFG_STRAP</u> [3:1]	I	Device Mode Configuration Straps 3-1. These configuration straps are used to select the device's mode of operation. See Note 3-12 .	Mandatory Note 3-11
Power/Ground				
+3.3V I/O Power Supply Input	VDD33	P	+3.3 V power and internal regulator input.	Mandatory Note 3-11
Digital Core Power Supply Input	VCORE	P	Digital core power supply input.	Mandatory Note 3-11
Ground	VSS	P	Common ground. This exposed pad must be connected to the ground plane with a via array.	Mandatory Note 3-11

Note 3-12 Configuration strap values are latched on Power-On Reset (POR) and the rising edge of **RESET_N** (external chip reset). Configuration straps are identified by an underlined symbol name. Signals that function as configuration straps must be augmented with an external resistor when connected to a load. For additional information, refer to [Section 3.3, Configuration Straps and Programmable Functions](#).

Note 3-13 Pin use is mandatory. Cannot be left unused.

3.3 Configuration Straps and Programmable Functions

Configuration straps are multi-function pins that are used during Power-On Reset (POR) or external chip reset (**RESET_N**) to determine the default configuration of a particular feature. The state of the signal is latched following deassertion of the reset. Configuration straps are identified by an underlined symbol name. This section details the various device configuration straps and associated programmable pin functions.

Note: The system designer must guarantee that configuration straps meet the timing requirements specified in [Section 9.6.2, Power-On and Configuration Strap Timing](#) and [Section 9.6.3, Reset and Configuration Strap Timing](#). If configuration straps are not at the correct voltage level prior to being latched, the device may capture incorrect strap values.

3.3.1 PORT DISABLE CONFIGURATION (PRT_DIS_P[4:1] / PRT_DIS_M[4:1])

The PRT_DIS_P[4:1] / PRT_DIS_M[4:1] configuration straps are used in conjunction to disable the related port (4-1)

For PRT_DIS_P_x (where *x* is the corresponding port 4-1):

0 = Port *x* D+ Enabled

1 = Port *x* D+ Disabled

For PRT_DIS_M_x (where *x* is the corresponding port 4-1):

0 = Port *x* D- Enabled

1 = Port *x* D- Disabled

Note: Both PRT_DIS_P_x and PRT_DIS_M_x (where *x* is the corresponding port) must be tied to 3.3 V to disable the associated downstream port. Disabling the USB 2.0 port will also disable the corresponding USB 3.0 port.

3.3.2 NON-REMOVABLE PORT CONFIGURATION (CFG_NON_REM)

The CFG_NON_REM configuration strap is used to configure the non-removable port settings of the device to one of five settings. These modes are selected by the configuration of an external resistor on the CFG_NON_REM pin. The resistor options are a 200 kΩ pull-down, 200 kΩ pull-up, 10 kΩ pull-down, 10 kΩ pull-up, and 10 Ω pull-down, as shown in [Table 3-2](#).

TABLE 3-2: CFG_NON_REM RESISTOR ENCODING

<u>CFG_NON_REM</u> Resistor Value	Setting
200 kΩ Pull-Down	All ports removable
200 kΩ Pull-Up	Port 1 non-removable
10 kΩ Pull-Down	Ports 1, 2 non-removable
10 kΩ Pull-Up	Ports 1, 2, 3 non-removable
10 Ω Pull-Down	Ports 1, 2, 3, 4 non-removable

3.3.3 BATTERY CHARGING CONFIGURATION (CFG_BC_EN)

The CFG_BC_EN configuration strap is used to configure the battery charging port settings of the device to one of five settings. These modes are selected by the configuration of an external resistor on the CFG_BC_EN pin. The resistor options are a 200 kΩ pull-down, 200 kΩ pull-up, 10 kΩ pull-down, 10 kΩ pull-up, and 10 Ω pull-down, as shown in [Table 3-3](#).

TABLE 3-3: CFG_BC_EN RESISTOR ENCODING

<u>CFG_BC_EN</u> Resistor Value	Setting
200 kΩ Pull-Down	Battery charging not enable on any port
200 kΩ Pull-Up	BC1.2 DCP and CDP battery charging enabled on Port 1
10 kΩ Pull-Down	BC1.2 DCP and CDP battery charging enabled on Ports 1, 2
10 kΩ Pull-Up	BC1.2 DCP and CDP battery charging enabled on Ports 1, 2, 3
10 Ω Pull-Down	BC1.2 DCP and CDP battery charging enabled on Ports 1, 2, 3, 4

3.3.4 PF[31:2] CONFIGURATION (CFG_STRAP1[2:1])

The USB7052N provides 30 programmable function pins (PF[31:2]). These pins can be configured to 4 predefined configurations via the CFG_STRAP1[2:1] pins. These configurations are selected via external resistors on the CFG_STRAP1[2:1] pins, as detailed in [Table 3-4](#). Resistor values and combinations not detailed in [Table 3-4](#) are reserved and should not be used.

Note: CFG_STRAP3 is not used and must be pulled-down to ground via a 200 kΩ resistor.

TABLE 3-4: CFG_STRAP1[2:1] RESISTOR ENCODING

Mode	<u>CFG_STRAP2</u> Resistor Value	<u>CFG_STRAP1</u> Resistor Value
Configuration 1	200 kΩ Pull-Down	200 kΩ Pull-Down
Configuration 2	200 kΩ Pull-Down	200 kΩ Pull-Up
Configuration 3	200 kΩ Pull-Down	10 kΩ Pull-Down
Configuration 4	200 kΩ Pull-Down	10 kΩ Pull-Up

USB7052N

A summary of the configuration pin assignments for each of the 4 configurations is provided in [Table 3-5](#). For details on behavior of each programmable function, refer to [Table 3-6](#).

TABLE 3-5: PF[31:2] FUNCTION ASSIGNMENT

Pin	Configuration 1 (SMBus/I ² C)	Configuration 2 (I ² S)	Configuration 3 (UART)	Configuration 4 (GPIO & FlexConnect)
PF2	DP1_VCONN1	DP1_VCONN1	DP1_VCONN1	DP1_VCONN1
PF3	DP1_VCONN2	DP1_VCONN2	DP1_VCONN2	DP1_VCONN2
PF4	DP2_DISCHARGE	DP2_DISCHARGE	DP2_DISCHARGE	DP2_DISCHARGE
PF5	DP1_DISCHARGE	DP1_DISCHARGE	DP1_DISCHARGE	DP1_DISCHARGE
PF6	GPIO70	GPIO70	UART_RX	GPIO70
PF7	GPIO71	MIC_DET	UART_TX	GPIO71
PF8	(Note 3-1)	(Note 3-1)	(Note 3-1)	(Note 3-1)
PF9	(Note 3-1)	(Note 3-1)	(Note 3-1)	(Note 3-1)
PF10	DP2_VCONN1	DP2_VCONN1	DP2_VCONN1	DP2_VCONN1
PF11	DP2_VCONN2	DP2_VCONN2	DP2_VCONN2	DP2_VCONN2
PF12	PRT_CTL3_U3	PRT_CTL3_U3	PRT_CTL3_U3	PRT_CTL3_U3
PF13	PRT_CTL3	PRT_CTL3	PRT_CTL3	PRT_CTL3
PF14	GPIO78	I2S_SDI	UART_nCTS	GPIO78
PF15	PRT_CTL2	PRT_CTL2	PRT_CTL2	PRT_CTL2
PF16	PRT_CTL4	PRT_CTL4	PRT_CTL4	PRT_CTL4
PF17	PRT_CTL1	PRT_CTL1	PRT_CTL1	PRT_CTL1
PF18	(Note 3-1)	(Note 3-1)	(Note 3-1)	(Note 3-1)
PF19	SLV_I2C_DATA	I2S_SDO	UART_nRTS	GPIO83
PF20	SPI_CE_N	SPI_CE_N	SPI_CE_N	SPI_CE_N
PF21	SPI_CLK	SPI_CLK	SPI_CLK	SPI_CLK
PF22	SPI_D0	SPI_D0	SPI_D0	SPI_D0
PF23	SPI_D1	SPI_D1	SPI_D1	SPI_D1
PF24	SPI_D2	SPI_D2	SPI_D2	SPI_D2
PF25	SPI_D3	SPI_D3	SPI_D3	SPI_D3
PF26	SLV_I2C_CLK	I2S_SCK	UART_nDSR	GPIO90
PF27	GPIO91	I2S_MCLK	UART_nDTR	GPIO91
PF28	GPIO92	I2S_LRCK	UART_nDCD	GPIO92
PF29	(Note 3-1)	(Note 3-1)	(Note 3-1)	(Note 3-1)
PF30	MSTR_I2C_CLK	MSTR_I2C_CLK	MSTR_I2C_CLK	MSTR_I2C_CLK
PF31	MSTR_I2C_DATA	MSTR_I2C_DATA	MSTR_I2C_DATA	MSTR_I2C_DATA

Note 3-1 The default function is not used in the USB7052N.

Note: The default PF_x pin functions can be overridden with additional configuration by modification of the pin mux registers. These changes can be made during the SMBus configuration stage, by programming to OTP memory, or during runtime (after hub has attached and enumerated) by register writes via the SMBus slave interface or USB commands to the internal Hub Feature Controller Device.

TABLE 3-6: PROGRAMMABLE FUNCTIONS DESCRIPTIONS

Function	Buffer Type	Description	If Unused
Master SMBus/I²C Interface			
MSTR_I2C_CLK	I/O12	Bridging Master SMBus/I ² C controller clock (SMBus/I ² C controller 1). External 1k-10k pull-up resistors to 3.3V are required if the I ² C Master Interface is to be used.	Weak pull-down to GND
MSTR_I2C_DATA	I/O12	Bridging Master SMBus/I ² C controller data (SMBus/I ² C controller 1). External 1k-10k pull-up resistors to 3.3V are required if the I ² C Master Interface is to be used.	Weak pull-down to GND
Slave SMBus/I²C Interface			
SLV_I2C_CLK	I/O12	Slave SMBus/I ² C controller clock (SMBus/I ² C controller 2). External 1k-10k pull-up resistors to 3.3V are required if the I ² C Slave Interface is to be used.	Weak pull-down to GND
SLV_I2C_DATA	I/O12	Slave SMBus/I ² C controller data (SMBus/I ² C controller 2). External 1k-10k pull-up resistors to 3.3V are required if the I ² C Slave Interface is to be used.	Weak pull-down to GND
UART Interface			
UART_TX	O12	UART Transmit	Weak pull-down to GND
UART_RX	I	UART Receive	Weak pull-down to GND
UART_nCTS	I	UART Clear To Send	Weak pull-down to GND
UART_nRTS	O12	UART Request To Send	Weak pull-down to GND
UART_nDCD	I	UART Data Carrier Detect	Weak pull-down to GND
UART_nDSR	I	UART Data Set Ready	Weak pull-down to GND
UART_nDTR	O12	UART Data Terminal Ready	Weak pull-down to GND

USB7052N

TABLE 3-6: PROGRAMMABLE FUNCTIONS DESCRIPTIONS (CONTINUED)

Function	Buffer Type	Description	If Unused
I²S Interface			
I2S_SDI	I	I ² S Serial Data In	Weak pull-down to GND
I2S_SDO	O12	I ² S Serial Data Out	Weak pull-down to GND
I2S_SCK	O12	I ² S Continuous Serial Clock	Weak pull-down to GND
I2S_LRCK	O12	I ² S Word Select / Left-Right Clock	Weak pull-down to GND
I2S_MCLK	O12	I ² S Master Clock	Weak pull-down to GND
MIC_DET	I	I ² S Microphone Plug Detect 0 = No microphone plugged into the audio jack 1 = Microphone plugged into the audio jack	Weak pull-down to GND
Miscellaneous			
DP2_VCONN1	I/O12	Port 2 VCONN1 enable. Active high signal. 0 = VCONN is turned off. 1 = VCONN is turned on. If DP2_VCONN1 is asserted and >3.0V is not sensed on the CC1 line, a VCONN fault condition is detected. Note 3-1 This pin can be left unused only if Port 2 is disabled or reconfigured to operate as a legacy Type-A port via OTP/SMBus/SPI configuration.	Weak pull-down to GND (Note 3-1)
DP2_VCONN2	I/O12	Port 2 VCONN2 enable. Active high signal. 0 = VCONN is turned off. 1 = VCONN is turned on. If DP2_VCONN2 is asserted and >3.0V is not sensed on the CC2 line, a VCONN fault condition is detected. Note 3-2 This pin can be left unused only if Port 2 is disabled or reconfigured to operate as a legacy Type-A port via OTP/SMBus/SPI configuration.	Weak pull-down to GND (Note 3-2)
DP2_DISCHARGE	I/O12	Port 2 DISCHARGE enable. Active high signal. 0 = VBUS discharging is not active. 1 = VBUS is being discharged to GND. This pin only asserts for a short duration when VBUS is being discharged from 5V (vSafe5V) to 0V (vSafe0V). Note 3-3 This pin can be left unused only if Port 2 is disabled or reconfigured to operate as a legacy Type-A port via OTP/SMBus/SPI configuration.	Weak pull-down to GND (Note 3-3)

TABLE 3-6: PROGRAMMABLE FUNCTIONS DESCRIPTIONS (CONTINUED)

Function	Buffer Type	Description	If Unused
DP1_VCONN1	I/O12	<p>Port 1 VCONN1 enable. Active high signal.</p> <p>0 = VCONN is turned off. 1 = VCONN is turned on. If DP1_VCONN1 is asserted and >3.0V is not sensed on the CC1 line, a VCONN fault condition is detected.</p> <p>Note 3-4 This pin can be left unused only if Port 1 is disabled or reconfigured to operate as a legacy Type-A port via OTP/SMBus/SPI configuration.</p>	Weak pull-down to GND (Note 3-4)
DP1_VCONN2	I/O12	<p>Port 1 VCONN2 enable. Active high signal.</p> <p>0 = VCONN is turned off. 1 = VCONN is turned on. If DP1_VCONN2 is asserted and >3.0V is not sensed on the CC2 line, a VCONN fault condition is detected.</p> <p>Note 3-5 This pin can be left unused only if Port 1 is disabled or reconfigured to operate as a legacy Type-A port via OTP/SMBus/SPI configuration.</p>	Weak pull-down to GND (Note 3-5)
DP1_DISCHARGE	I/O12	<p>Port 1 DISCHARGE enable. Active high signal.</p> <p>0 = VBUS discharging is not active. 1 = VBUS is being discharged to GND. This pin only asserts for a short duration when VBUS is being discharged from 5V (vSafe5V) to 0V (vSafe0V).</p> <p>Note 3-6 This pin can be left unused only if Port 1 is disabled or reconfigured to operate as a legacy Type-A port via OTP/SMBus/SPI configuration.</p>	Weak pull-down to GND (Note 3-6)
PRT_CTL4	I/O12 (PU)	<p>Port 4 power enable / overcurrent sense</p> <p>When the downstream port is enabled, this pin is set as an input with an internal pull-up resistor applied. The internal pull-up enables power to the downstream port while the pin monitors for an active low overcurrent signal assertion from an external current monitor on USB port 4.</p> <p>This pin will change to an output and be driven low when the port is disabled by configuration or by the host control.</p> <p>Note: This signal controls both the USB 2.0 and USB 3.2 portions of the port.</p> <p>Note 3-7 This pin can be left unused only if Port 4 is disabled via strap/OTP/SMBus/SPI configuration.</p>	Float (Note 3-7)

USB7052N

TABLE 3-6: PROGRAMMABLE FUNCTIONS DESCRIPTIONS (CONTINUED)

Function	Buffer Type	Description	If Unused
PRT_CTL3	I/O12 (PU)	<p>Port 3 power enable / overcurrent sense</p> <p>When the downstream port is enabled, this pin is set as an input with an internal pull-up resistor applied. The internal pull-up enables power to the downstream port while the pin monitors for an active low overcurrent signal assertion from an external current monitor on USB port 3.</p> <p>This pin will change to an output and be driven low when the port is disabled by configuration or by the host control.</p> <p>Note: When PortSplit is disabled, this signal controls both the USB 2.0 and USB 3.2 portions of the port. When PortSplit is enabled, this signal controls the USB 2.0 portion of the port only.</p> <p>Note 3-8 This pin can be left unused only if Port 3 is disabled via strap/OTP/SMBus/SPI configuration.</p>	Float (Note 3-8)
PRT_CTL2	I/O12 (PU)	<p>Port 2 power enable / overcurrent sense</p> <p>When the downstream port is enabled, this pin is set as an input with an internal pull-up resistor applied. The internal pull-up enables power to the downstream port while the pin monitors for an active low overcurrent signal assertion from an external current monitor on USB port 2.</p> <p>This pin will change to an output and be driven low when the port is disabled by configuration or by the host control.</p> <p>Note: This signal controls both the USB 2.0 and USB 3.2 portions of the port.</p> <p>Note 3-9 This pin can be left unused only if Port 2 is disabled via strap/OTP/SMBus/SPI configuration.</p>	Float (Note 3-9)
PRT_CTL1	I/O12 (PU)	<p>Port 1 power enable / overcurrent sense</p> <p>When the downstream port is enabled, this pin is set as an input with an internal pull-up resistor applied. The internal pull-up enables power to the downstream port while the pin monitors for an active low overcurrent signal assertion from an external current monitor on USB port 1.</p> <p>This pin will change to an output and be driven low when the port is disabled by configuration or by the host control.</p> <p>Note: This signal controls both the USB 2.0 and USB 3.2 portions of the port.</p> <p>Note 3-10 This pin can be left unused only if Port 1 is disabled via strap/OTP/SMBus/SPI configuration.</p>	Float (Note 3-9)

TABLE 3-6: PROGRAMMABLE FUNCTIONS DESCRIPTIONS (CONTINUED)

Function	Buffer Type	Description	If Unused
PRT_CTL3_U3	O12	Port 3 USB 3.2 PortSplit power enable This signal is an active high control signal used to enable to the USB 3.2 portion of the downstream port 3 when PortSplit is enabled. When PortSplit is disabled, this pin is not used. Note: This signal should only be used to control an embedded USB 3.2 device.	Float
GPIOx	I/O12	General Purpose Inputs/Outputs (x = 70-71, 78, 83, 90-92)	Weak pull-down to GND

3.4 Physical and Logical Port Mapping

The USB70xx family of devices are based upon a common architecture, but all have different modifications and/or pin bond outs to achieve the various device configurations. The base chip is composed of a total of 6 USB3 PHYs and 7 USB2 PHYs. These PHYs are physically arranged on the chip in a certain way, which is referred to as the PHYSICAL port mapping.

The actual port numbering is remapped by default in different ways on each device in the family. This changes the way that the ports are numbered from the USB host's perspective. This is referred to as LOGICAL mapping.

The various configuration options available for these devices may, at times, be with respect to PHYSICAL mapping or LOGICAL mapping. Each individual configuration option which has a PHYSICAL or LOGICAL dependency is declared as such within the register description.

The PHYSICAL vs. LOGICAL mapping is described for all port related pins in [Table 3-7](#). A system design in schematics and layout is generally performed using the pinout in [Section 3.1, Pin Assignments](#), which is assigned by the default LOGICAL mapping. Hence, it may be necessary to cross reference the PHYSICAL vs. LOGICAL look up tables when determining the hub configuration.

Note: The MPLAB Connect tool makes configuration simple; the settings can be selected by the user with respect to the LOGICAL port numbering. The tool handles the necessary linking to the PHYSICAL port settings. Refer to [Section 6.0, Device Configuration](#) for additional information.

USB7052N

TABLE 3-7: USB7052N PHYSICAL VS. LOGICAL PORT MAPPING

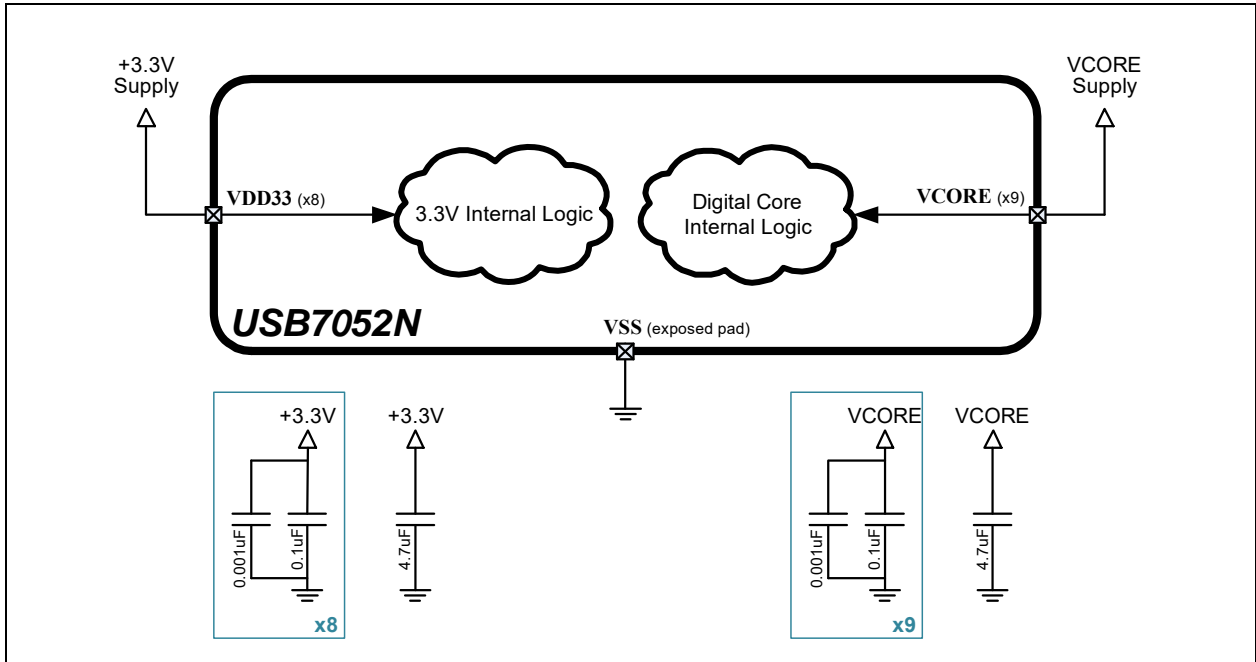
Device Pin	Pin Name (as in datasheet)	LOGICAL PORT NUMBER					PHYSICAL PORT NUMBER						
		0	1	2	3	4	0	1	2	3	4	5	6
5	USB2DN_DP1		X					X					
6	USB2DN_DM1		X					X					
7	USB3DN_TXDP1A		X					X					
8	USB3DN_TXDM1A		X					X					
10	USB3DN_RXDP1A		X					X					
11	USB3DN_RXDM1A		X					X					
14	USB2DN_DP4					X			X				
15	USB2DN_DM4					X			X				
16	USB3DN_TXDP1B		X						X				
17	USB3DN_TXDM1B		X						X				
19	USB3DN_RXDP1B		X						X				
20	USB3DN_RXDM1B		X						X				
29	USB2DN_DP2			X						X			
30	USB2DN_DM2			X						X			
31	USB3DN_TXDP2A			X						X			
32	USB3DN_TXDM2A			X						X			
34	USB3DN_RXDP2A			X						X			
35	USB3DN_RXDM2A			X						X			
37	USB3DN_TXDP2B			X							X		
38	USB3DN_TXDM2B			X							X		
40	USB3DN_RXDP2B			X							X		
41	USB3DN_RXDM2B			X							X		
81	USB2DN_DP3				X							X	
82	USB2DN_DM3				X							X	
83	USB3DN_TXDP3				X							X	
84	USB3DN_TXDM3				X							X	
86	USB3DN_RXDP3				X							X	
87	USB3DN_RXDM3				X							X	
89	USB2UP_DP	X					X						
90	USB2UP_DM	X					X						
91	USB3UP_TXDP	X					X						
92	USB3UP_TXDM	X					X						
94	USB3UP_RXDP	X					X						
95	USB3UP_RXDM	X					X						

4.0 DEVICE CONNECTIONS

4.1 Power Connections

Figure 4-1 illustrates the device power connections.

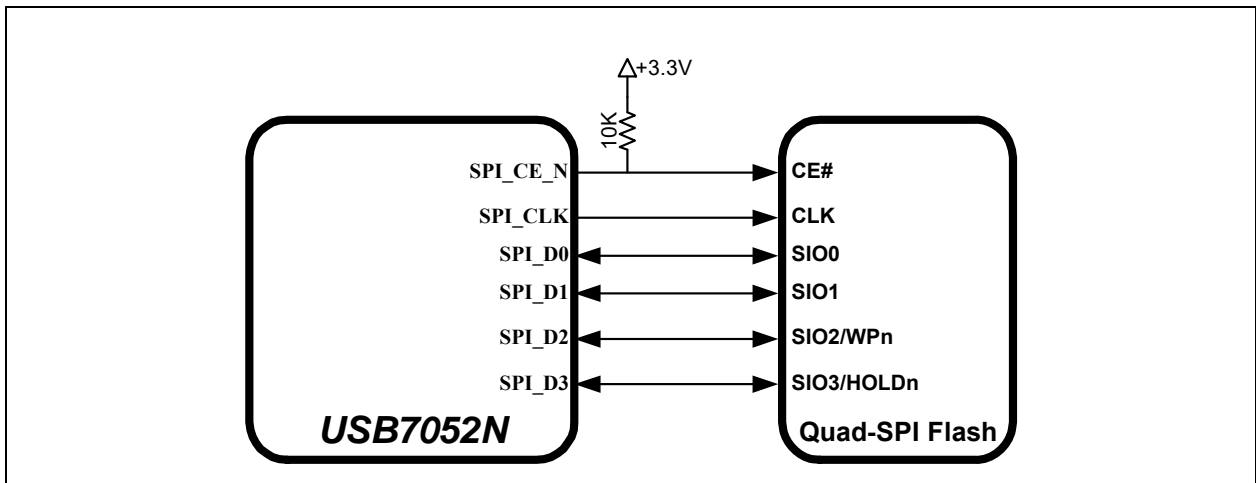
FIGURE 4-1: POWER CONNECTIONS



4.2 SPI Flash Connections

Figure 4-2 illustrates the Quad-SPI flash connections.

FIGURE 4-2: QUAD-SPI FLASH CONNECTIONS

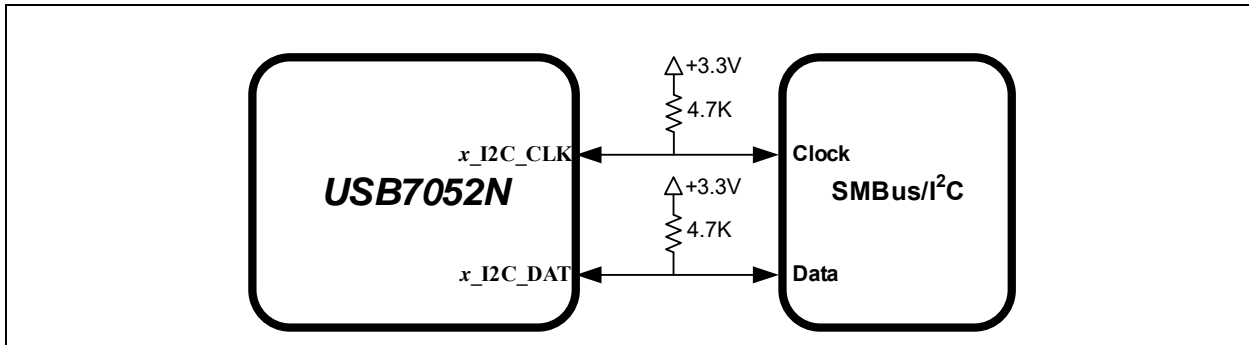


USB7052N

4.3 SMBus/I²C Connections

Figure 4-3 illustrates the SMBus/I²C connections.

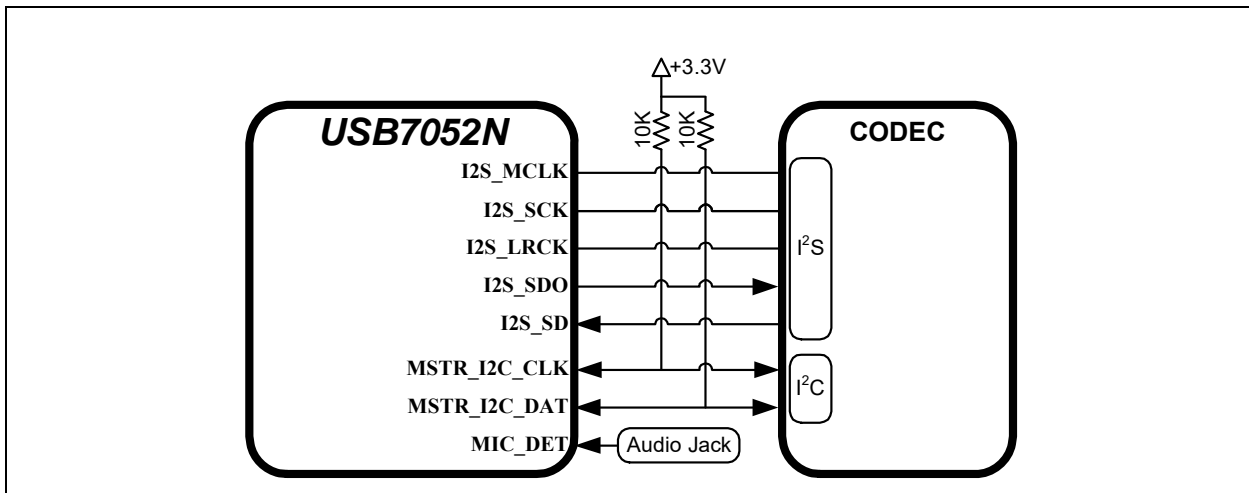
FIGURE 4-3: SMBUS/I²C CONNECTIONS



4.4 I²S Connections

Figure 4-4 illustrates the I²S connections.

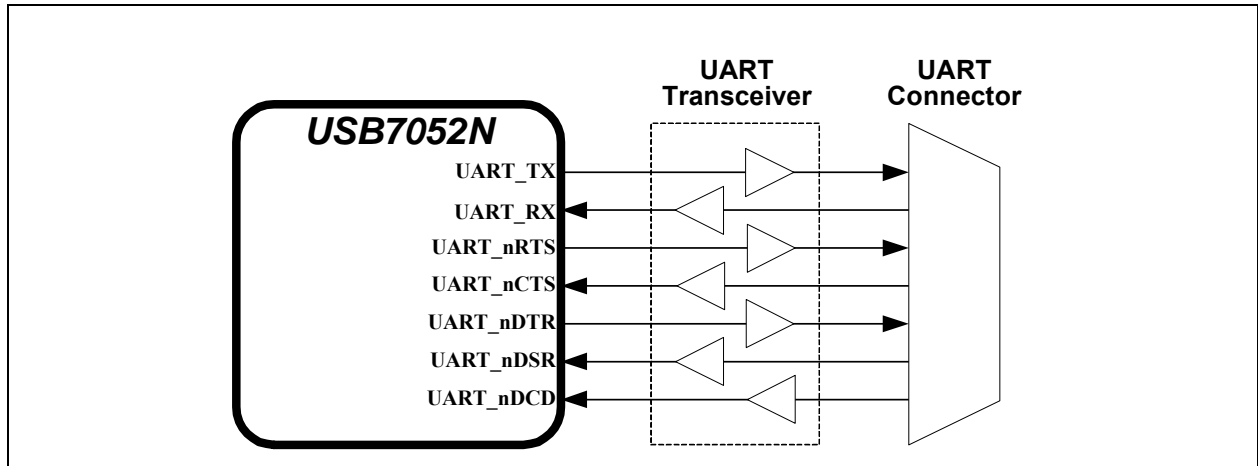
FIGURE 4-4: I²S CONNECTIONS



4.5 UART Connections

Figure 4-5 illustrates the UART connections.

FIGURE 4-5: UART CONNECTIONS



USB7052N

5.0 MODES OF OPERATION

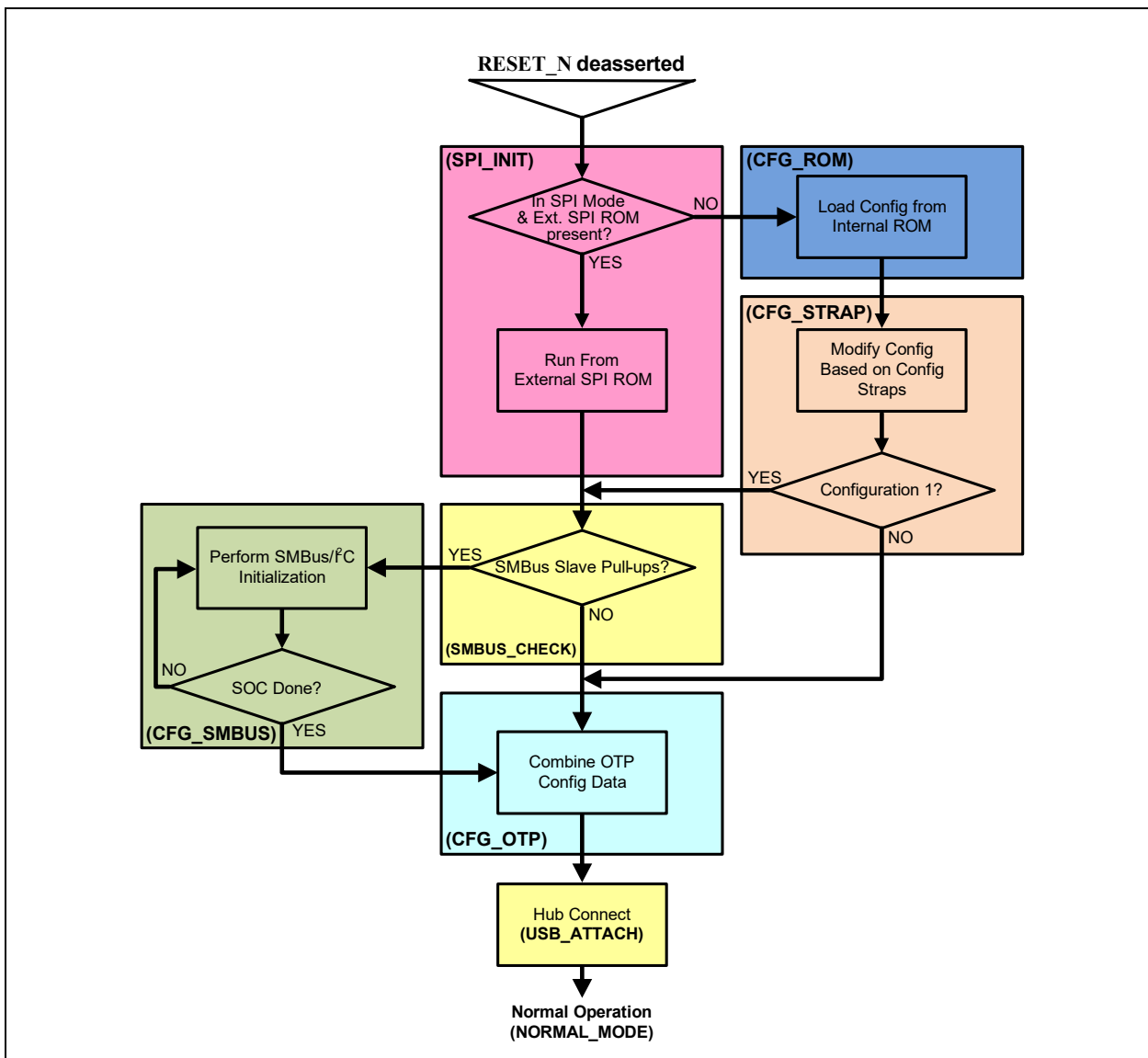
The device provides two main modes of operation: Standby Mode and Hub Mode. These modes are controlled via the **RESET_N** pin, as shown in [Table 5-1](#).

TABLE 5-1: MODES OF OPERATION

RESET_N Input	Summary
0	Standby Mode: This is the lowest power mode of the device. No functions are active other than monitoring the RESET_N input. All port interfaces are high impedance and the PLL is halted. Refer to Section 8.12, Resets for additional information on RESET_N .
1	Hub (Normal) Mode: The device operates as a configurable USB hub. This mode has various sub-modes of operation, as detailed in Figure 5-1 . Power consumption is based on the number of active ports, their speed, and amount of data received.

The flowchart in [Figure 5-1](#) details the modes of operation and details how the device traverses through the Hub Mode stages (shown in bold). The remaining sub-sections provide more detail on each stage of operation.

FIGURE 5-1: HUB MODE FLOWCHART



5.1 Boot Sequence

5.1.1 STANDBY MODE

If the **RESET_N** pin is asserted, the hub will be in Standby Mode. This mode provides a very low power state for maximum power efficiency when no signaling is required. This is the lowest power state. In Standby Mode all downstream ports are disabled, the USB data pins are held in a high-impedance state, all transactions immediately terminate (no states saved), all internal registers return to their default state, the PLL is halted, and core logic is powered down in order to minimize power consumption. Because core logic is powered off, no configuration settings are retained in this mode and must be re-initialized after **RESET_N** is negated high.

5.1.2 SPI INITIALIZATION STAGE (SPI_INIT)

The first stage, the initialization stage, occurs on the deassertion of **RESET_N**. In this stage, the internal logic is reset, the PLL locks if a valid clock is supplied, and the configuration registers are initialized to their default state. The internal firmware then checks for an external SPI ROM. The firmware looks for an external SPI flash device that contains a valid signature of "2DFU" (device firmware upgrade) beginning at address 0x3FFFA. If a valid signature is found, then the external SPI ROM is enabled and the code execution begins at address 0x0000 in the external SPI device. If a valid signature is not found, then execution continues from internal ROM (CFG_ROM stage).

The required SPI ROM must be a minimum of 1 Mbit, and 60 MHz or faster. Both 1, 2, and 4-bit SPI operation is supported. For optimum throughput, a 2-bit SPI ROM is recommended. Both mode 0 and mode 3 SPI ROMs are also supported.

If the system is not strapped for SPI Mode, code execution will continue from internal ROM (CFG_ROM stage).

5.1.3 CONFIGURATION FROM INTERNAL ROM STAGE (CFG_ROM)

In this stage, the internal firmware loads the default values from the internal ROM. Most of the hub configuration registers, USB descriptors, electrical settings, etc. will be initialized in this state.

5.1.4 CONFIGURATION STRAP READ STAGE (CFG_STRAP)

In this stage, the firmware reads the following configuration straps to override the default values:

- **CFG_STRAP[3:1]**
- **PRT_DIS_P[4:1]**
- **PRT_DIS_M[4:1]**
- **CFG_NON_REM**
- **CFG_BC_EN**

If the **CFG_STRAP[3:1]** pins are set to Configuration 1, the device will move to the SMBUS_CHECK stage, otherwise it will move to the CFG_OTP stage. Refer to [Section 3.3, Configuration Straps and Programmable Functions](#) for information on usage of the various device configuration straps.

5.1.5 SMBUS CHECK STAGE (SMBUS_CHECK)

Based on the **PF[31:2]** configuration selected (refer to [Section 3.3.4, PF\[31:2\] Configuration \(CFG_STRAP\[2:1\]\)](#)), the firmware will check for the presence of external pull up resistors on the SMBus slave programmable function pins. If 10K pull-ups are detected on both pins, the device will be configured as an SMBus slave, and the next state will be CFG_SMBUS. If a pull-up is not detected in either of the pins, the next state is CFG_OTP.

5.1.6 SMBUS CONFIGURATION STAGE (CFG_SMBUS)

In this stage, the external SMBus master can modify any of the default configuration settings specified in the integrated ROM, such as USB device descriptors, port electrical settings, and control features such as downstream battery charging.

There is no time limit on this mode. In this stage the firmware will wait indefinitely for the SMBus/I²C configuration. The external SMBus master writes to register 0xFF to end the configuration in legacy mode. In non-legacy mode, the SMBus command USB_ATTACH (opcode 0xAA55) or USB_ATTACH_WITH_SMBUS (opcode 0xAA56) will finish the configuration.

USB7052N

5.1.7 OTP CONFIGURATION STAGE (CFG_OTP)

Once the SOC has indicated that it is done with configuration, all configuration data is combined in this stage. The default data, the SOC configuration data, and the OTP data are all combined in the firmware and the device is programmed.

Note: If the same register is modified in both CFG_SMBUS and CFG_OTP stages, the value from CFG_OTP will overwrite any value written during CFG_SMBUS.

5.1.8 HUB CONNECT STAGE (USB_ATTACH)

Once the hub registers are updated through default values, SMBus master, and OTP, the device firmware will enable attaching the USB host by setting the USB_ATTACH bit in the HUB_CMD_STAT register (for USB 2.0) and the USB3_HUB_ENABLE bit (for USB 3.2). The device will remain in the Hub Connect stage indefinitely.

5.1.9 NORMAL MODE (NORMAL_MODE)

Lastly, the hub enters Normal Mode of operation. In this stage full USB operation is supported under control of the USB Host on the upstream port. The device will remain in the normal mode until the operating mode is changed by the system.

If RESET_N is asserted low, then Standby Mode is entered. The device may then be placed into any of the designated hub stages. Asserting a soft disconnect on the upstream port will cause the hub to return to the Hub Connect stage until the soft disconnect is negated.

6.0 DEVICE CONFIGURATION

The device supports a large number of features (some mutually exclusive), and must be configured in order to correctly function when attached to a USB host controller. Microchip provides a comprehensive software programming tool, MPLAB Connect Configurator (formerly ProTouch2), for OTP configuration of various USB7052N functions and registers. All configuration is to be performed via the MPLAB Connect Configurator programming tool. For additional information on this tool, refer to the MPLAB Connect Configurator programming tool product page at <http://www.microchip.com/design-centers/usb/mplab-connect-configurator>.

Additional information on configuring the USB7052N is also provided in the “*Configuration of the USB70xx*” application note, which contains details on the hub operational mode, SOC configuration stage, OTP configuration, USB configuration, and configuration register definitions. This application note, along with additional USB7052N resources, can be found on the Microchip USB7052N product page at www.microchip.com/USB7252.

<p>Note: Device configuration straps and programmable pins are detailed in Section 3.3, Configuration Straps and Programmable Functions. Refer to Section 7.0, Device Interfaces for detailed information on each device interface.</p>
--

USB7052N

7.0 DEVICE INTERFACES

The USB7052N provides multiple interfaces for configuration, external memory access, etc.. This section details the various device interfaces:

- [SPI/SQI Master Interface](#)
- [SMBus/I2C Master/Slave Interfaces](#)
- [I2S Interface](#)
- [UART Interface](#)

Note: For details on how to enable each interface, refer to [Section 3.3, Configuration Straps and Programmable Functions](#).

For information on device connections, refer to [Section 4.0, Device Connections](#). For information on device configuration, refer to [Section 6.0, Device Configuration](#).

Microchip provides a comprehensive software programming tool, MPLAB Connect Configurator (formerly ProTouch2), for configuring the USB7052N functions, registers and OTP memory. All configuration is to be performed via the MPLAB Connect Configurator programming tool. For additional information on this tool, refer to the MPLAB Connect Configurator programming tool product page at <http://www.microchip.com/design-centers/usb/mplab-connect-configurator>.

7.1 SPI/SQI Master Interface

The SPI/SQI controller has two basic modes of operation: execution of an external hub firmware image, or the USB to SPI bridge. On power up, the firmware looks for an external SPI flash device that contains a valid signature of 2DFU (device firmware upgrade) beginning at address 0x3FFFA. If a valid signature is found, then the external ROM mode is enabled and the code execution begins at address 0x0000 in the external SPI device. If a valid signature is not found, then execution continues from internal ROM and the SPI interface can be used as a USB to SPI bridge.

The entire firmware image is then executed in place entirely from the SPI interface. The SPI interface will remain continuously active while the hub is in the runtime state. The hub configuration options are also loaded entirely out of the SPI memory device. Both the internal ROM firmware image and internal OTP memory are completely ignored while executing the firmware and configuration from the external SPI memory.

The second mode of operation is the USB to SPI bridge operation. Additional details on this feature can be found in [Section 8.8, USB to SPI Bridging](#).

[Table 7-1](#) details how the associated pins are mapped in SPI vs. SQI mode

TABLE 7-1: SPI/SQI PIN USAGE

SPI Mode	SQI Mode	Description
SPI_CE_N	SQI_CE_N	SPI/SQI Chip Enable (Active Low)
SPI_CLK	SQI_CLK	SPI/SQI Clock
SPI_D0	SQI_D0	SPI Data Out; SQI Data I/O 0
SPI_D1	SQI_D1	SPI Data In; SQI Data I/O 1
-	SQI_D2	SQI Data I/O 2
-	SQI_D3	SQI Data I/O 3

Note: For SPI/SQI master timing information, refer to [Section 9.6.10, SPI/SQI Master Timing](#).

7.2 SMBus/I²C Master/Slave Interfaces

The device provides two independent SMBus/I²C controllers (Slave, and Master) which can be used to access internal device run time registers or program the internal OTP memory. The device contains two 128 byte buffers to enable simultaneous master/slave operation and to minimize firmware overhead in processed I²C packets. The I²C interfaces support 100KHz Standard-mode (Sm) and 400KHz Fast Mode (Fm) operation.

The SMBus/I²C interfaces are assigned to programmable pins (PF_x) and therefore the device must be programmed into specific configurations to enable specific interfaces. Refer to [Section 3.3.4, PF\[31:2\] Configuration \(CFG_STRAP\[2:1\]\)](#) for additional information.

Note: For SMBus/I²C timing information, refer to [Section 9.6.7, SMBus Timing](#) and [Section 9.6.8, I2C Timing](#).

7.3 I²S Interface

The device provides an integrated I²S interface to facilitate the connection of digital audio devices. The I²S interface conforms to the voltage, power, and timing characteristics/specifications as set forth in the *I²S-Bus Specification*, and consists of the following signals:

- **I2S_SDI**: Serial Data Input
- **I2S_SDO**: Serial Data Output
- **I2S_SCK**: Serial Clock
- **I2S_LRCK**: Left/Right Clock (SS/FSYNC)
- **I2S_MCLK**: Master Clock
- **MIC_DET**: Microphone Plug Detect

Each audio connection is half-duplex, so **I2S_SDO** exists only on the transmit side and **I2S_SDI** exists only on the receive side of the interface. Some codecs refer to the Serial Clock (**I2S_SCK**) as Baud/Bit Clock (BCLK). Also, the Left/Right Clock is commonly referred to as LRC or LRCK. The I²S and other audio protocols refer to LRC as Word Select (WS).

The following codec is supported by default:

- Analog Devices ADAU1961 (24-bit 96KHz)

The I²S interface is assigned to programmable pins (PF_x) and therefore the device must be programmed into specific configurations to enable the interface. Refer to [Section 3.3.4, PF\[31:2\] Configuration \(CFG_STRAP\[2:1\]\)](#) for additional information.

Note: For I²S timing information, refer to [Section 9.6.9, I2S Timing](#). For detailed information on utilizing the I²S interface, including support for other codecs, refer to the application note "*USB7202/USB725x I²S Operation*", which can be found on the Microchip USB7052N product page at www.microchip.com/USB7052N.

7.3.1 MODES OF OPERATION

The USB audio class operates in three ways: Asynchronous, Synchronous and Adaptive. There are also multiple operating modes, such as hi-res, streaming, etc.. Typically for USB devices, inputs such as microphones are Asynchronous, and output devices such as speakers are Adaptive. The hardware is set up to handle all three modes of operation. It is recommended that the following configuration be used: Asynchronous IN; Adaptive OUT; 48Khz streaming mode; Two channels: 16 bits per channel.

7.3.1.1 Asynchronous IN 48KHz Streaming

In this mode, the codec sampling clock is set to 48Khz based on the local oscillator. This clock is never changed. The data from the codec is fed into the input FIFO. Since the sampling clock is asynchronous to the host clock, the amount of data captured in every USB frame will vary. This issue is left for the host to handle. The input FIFO has two markers, a low water mark (THRESHOLD_LOW_VAL), and a high water mark (THRESHOLD_HIGH_VAL). There are three registers to determine how much data to send back in each frame. If the amount of data in the FIFO exceeds the high water mark, then HI_PKT_SIZE worth of data is sent. If the data is between the high and low water mark, the normal MID_PKT_SIZE amount of data is sent. If the data is below the low water mark, LO_PKT_SIZE worth of data is sent.

USB7052N

7.3.1.2 Adaptive OUT 48KHz Streaming

In this mode, the codec sampling clock is initially set to 48KHz based on the local oscillator. The host data is fed into the OUT FIFO. The host will send the same amount of data on every frame, i.e. 48KHz of data based on the host clock. The codec sampling clock is asynchronous to the host clock. This will cause the amount of data in the OUT FIFO to vary. If the amount of data in the FIFO exceeds the high water mark, then the sampling clock is increased. If the data is between the high and low water mark, the sampling clock does not change. If the data is below the low water mark, the sampling clock is decreased.

7.3.1.3 Synchronous Operation

For synchronous operation, the internal clock must be synchronized with the host SOF. The Frame SOF is nominally 1mS. Since there is significant jitter in the SOFs, there is circuitry provided to measure the SOFs over a long period of time to get a more accurate reading. The calculated host frequency is used to calculate the codec sampling clock.

7.4 UART Interface

The device incorporates a configurable universal asynchronous receiver/transmitter (UART) that is functionally compatible with the NS 16550AF, 16450, 16450 ACE registers and the 16C550A. The UART performs serial-to-parallel conversion on received characters and parallel-to-serial conversion on transmit characters. Two sets of baud rates are provided: 24 Mhz and 16 MHz. When the 24 Mhz source clock is selected, standard baud rates from 50 Hz to 115.2 kHz are available. When the source clock is 16 MHz, baud rates from 125 kHz to 1,000 kHz are available. The character options are programmable for the transmission of data in word lengths of from five to eight, 1 start bit; 1, 1.5 or 2 stop bits; even, odd, sticky or no parity; and prioritized interrupts. The UART contains a programmable baud rate generator that is capable of dividing the input clock or crystal by a number from 1 to 65535. The UART is also capable of supporting the MIDI data rate.

The UART interface is assigned to programmable pins (PF_x) and therefore the device must be programmed into specific configurations to enable the interface. Refer to [Section 3.3.4, PF\[31:2\] Configuration \(CFG_STRAP\[2:1\]\)](#) for additional information.

7.4.1 TRANSMIT OPERATION

Transmission is initiated by writing the data to be sent to the TX Holding Register or TX FIFO (if enabled). The data is then transferred to the TX Shift Register together with a start bit and parity and stop bits as determined by settings in the Line Control Register. The bits to be transmitted are then shifted out of the TX Shift Register in the order Start bit, Data bits (LSB first), Parity bit, Stop bit, using the output from the Baud Rate Generator (divided by 16) as the clock.

If enabled, a TX Holding Register Empty interrupt will be generated when the TX Holding Register or the TX FIFO (if enabled) becomes empty.

When FIFOs are enabled (i.e. bit 0 of the FIFO Control Register is set), the UART can store up to 16 bytes of data for transmission at a time. Transmission will continue until the TX FIFO is empty. The FIFO's readiness to accept more data is indicated by interrupt.

7.4.2 RECEIVE OPERATION

Data is sampled into the RX Shift Register using the Receive clock, divided by 16. The Receive clock is provided by the Baud Rate Generator. A filter is used to remove spurious inputs that last for less than two periods of the Receive clock. When the complete word has been clocked into the receiver, the data bits are transferred to the RX Buffer Register or to the RX FIFO (if enabled) to be read by the CPU. (The first bit of the data to be received is placed in bit 0 of this register.) The receiver also checks that the parity bit and stop bits are as specified by the Line Control Register.

If enabled, an RX Data Received interrupt will be generated when the data has been transferred to the RX Buffer Register or, if FIFOs are enabled, when the RX Trigger Level has been reached. Interrupts can also be generated to signal RX FIFO Character Timeout, incorrect parity, a missing stop bit (frame error) or other Line Status errors.

When FIFOs are enabled (i.e. bit 0 of the FIFO Control Register is set), the UART can store up to 16 bytes of received data at a time. Depending on the selected RX Trigger Level, interrupt will go active to indicate that data is available when the RX FIFO contains 1, 4, 8 or 14 bytes of data.

8.0 FUNCTIONAL DESCRIPTIONS

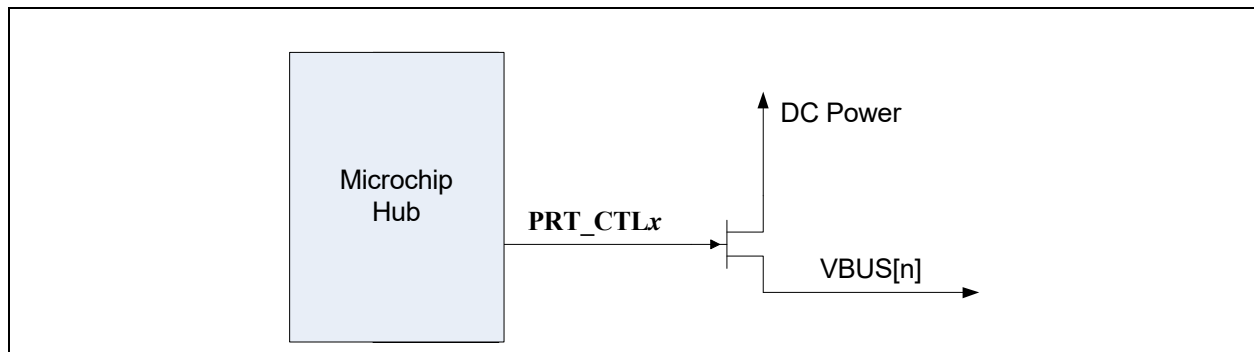
This section details various USB7052N functions, including:

- [Downstream Battery Charging](#)
- [Port Power Control](#)
- [CC Pin Orientation and Detection](#)
- [PortSplit](#)
- [FlexConnect](#)
- [USB to GPIO Bridging](#)
- [USB to I2C Bridging](#)
- [USB to SPI Bridging](#)
- [USB to UART Bridging](#)
- [USB Billboard Device Class](#)
- [Link Power Management \(LPM\)](#)
- [Resets](#)

8.1 Downstream Battery Charging

The device can be configured by an OEM to have any of the downstream ports support battery charging. The hub's role in battery charging is to provide acknowledgment to a device's query as to whether the hub system supports USB battery charging. The hub silicon does not provide any current or power FETs or any additional circuitry to actually charge the device. Those components must be provided externally by the OEM.

FIGURE 8-1: BATTERY CHARGING EXTERNAL POWER SUPPLY



If the OEM provides an external supply capable of supplying current per the battery charging specification, the hub can be configured to indicate the presence of such a supply from the device. This indication, via the **PRT_CTLx** pins, is on a per port basis. For example, the OEM can configure two ports to support battery charging through high current power FETs and leave the other two ports as standard USB ports.

The port control signals are assigned to programmable pins (**PFx**) and therefore the device must be programmed into specific configurations to enable the signals. Refer to [Section 3.3.4, PF\[31:2\] Configuration \(CFG_STRAP\[2:1\]\)](#) for additional information.

For detailed information on utilizing the battery charging feature, refer to the application note “*AN2810 Configuration of USB7002/USB7006/USB7016/USB705x*”, which can be found on the Microchip USB7052N product page www.microchip.com/USB7052N.

USB7052N

8.2 Port Power Control

Port power and over-current sense share the same pin (**PRT_CTLx**) for each port. These functions can be controlled directly from the USB hub, or via the processor.

Note: The **PRT_CTLx** function is assigned to programmable function pins (**PFx**) via configuration straps. Refer to [Section 3.3.4, PF\[31:2\] Configuration \(CFG_STRAP\[2:1\]\)](#) for additional information.

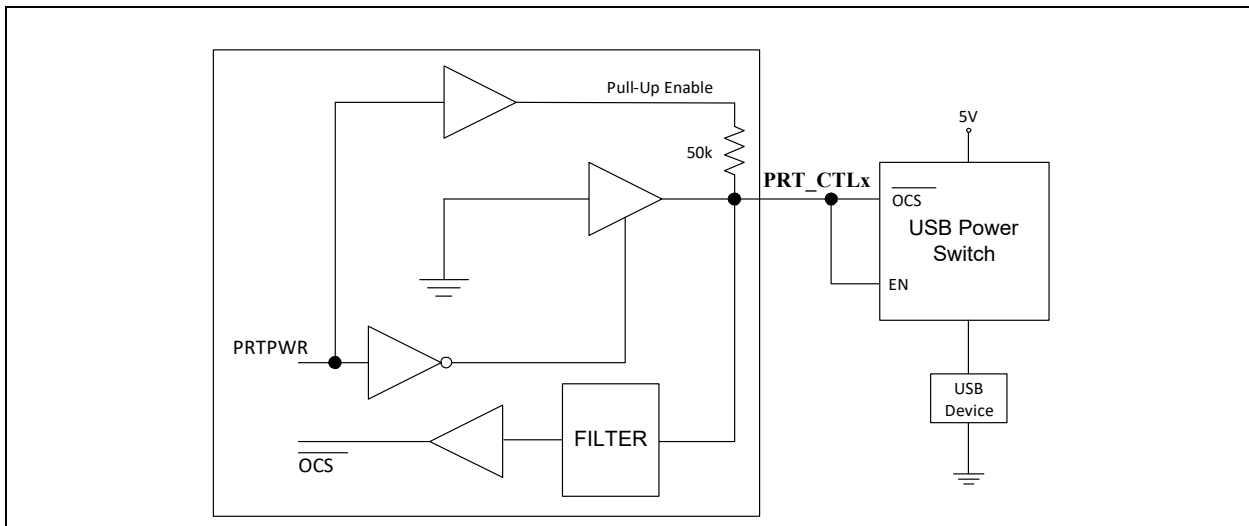
Note: The port power control for the USB 2.0 and USB 3.2 portions of a specific port can also be individually controlled via the PortSplit function. Refer to [Section 8.4, PortSplit](#) for additional information.

8.2.1 PORT POWER CONTROL USING USB POWER SWITCH

When operating in combined mode, the device will have one port power control and over-current sense pin for each downstream port. When disabling port power, the driver will actively drive a '0'. To avoid unnecessary power dissipation, the pull-up resistor will be disabled at that time. When port power is enabled, it will disable the output driver and enable the pull-up resistor, making it an open drain output. If there is an over-current situation, the USB Power Switch will assert the open drain OCS signal. The Schmidt trigger input will recognize that as a low. The open drain output does not interfere. The over-current sense filter handles the transient conditions such as low voltage while the device is powering up.

Note: An external power switch is the required implementation for Type-C ports due to the requirement that VBUS on Type-C ports must be discharged to 0V when no device is attached to the port.

FIGURE 8-2: PORT POWER CONTROL WITH USB POWER SWITCH

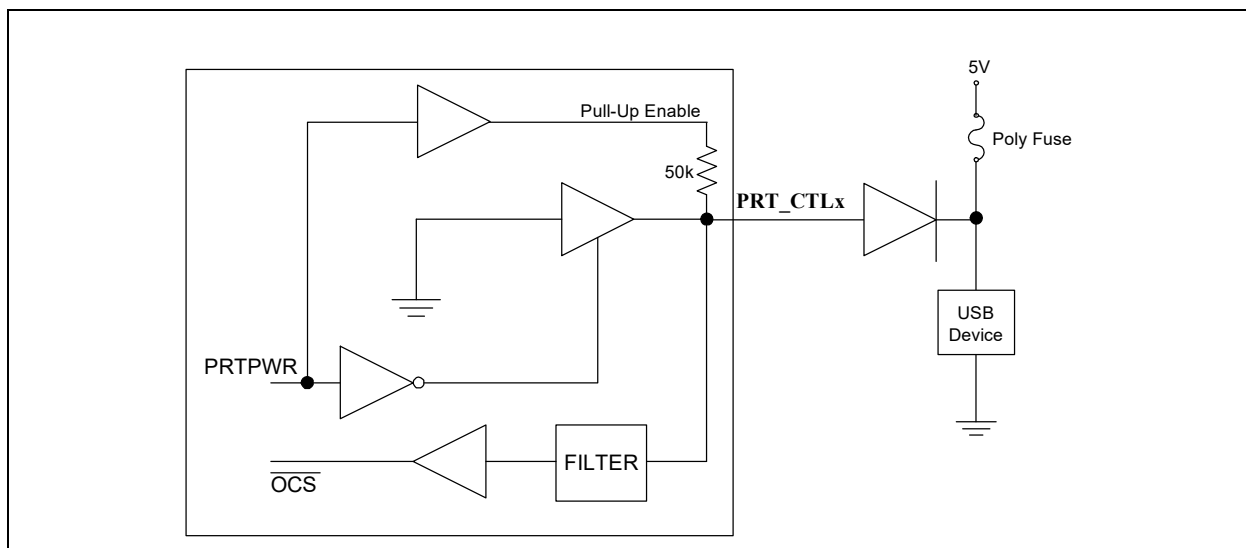


8.2.2 PORT POWER CONTROL USING POLY FUSE

When using the device with a poly fuse, there is no need for an output power control. A single port power control and over-current sense for each downstream port is still used from the Hub's perspective. When disabling port power, the driver will actively drive a '0'. This will have no effect as the external diode will isolate pin from the load. When port power is enabled, it will disable the output driver and enable the pull-up resistor. This means that the pull-up resistor is providing 3.3 volts to the anode of the diode. If there is an over-current situation, the poly fuse will open. This will cause the cathode of the diode to go to 0 volts. The anode of the diode will be at 0.7 volts, and the Schmidt trigger input will register this as a low resulting in an over-current detection. The open drain output does not interfere.

Note: Type-C ports may not utilize a Poly-Fuse port power implementation due to the requirements that VBUS on Type-C ports must be discharged to 0V when no device is attached to the port.

FIGURE 8-3: PORT POWER CONTROL USING A POLY FUSE



8.3 CC Pin Orientation and Detection

The device provides CC1 and CC2 pins on all Type-C ports for cable plug orientation and detection of a USB Type-C receptacle. The device also integrates a comparator and DAC circuit to implement Type-C attach and detach functions, which supports up to eight programmable thresholds for attach detection between a UFP and DFP. When operating as a UFP, the device supports detecting changes in the DFP's advertised thresholds.

When operating as a DFP, the device implements current sources to advertise current charging capabilities on both CC pins. By default, the CC pins advertise a 3A VBUS sourcing capability when operating in DFP mode. This may be reconfigured to 1.5A or Default USB (500mA for USB2 DFP or 900mA for a USB3 DFP) via OTP, SMBus, or SPI configuration. When a UFP connection is established, the current driven across the CC pins creates a voltage across the UFP's Rd pull-down that can be detected by the integrated CC comparator. When connected to an active cable, an alternative pull-down, Ra, appears on the CC pin.

When operating as a UFP, the device applies an Rd pull-down on both CC lines and waits for a DFP connection from the assertion of VBUS. The CC comparator is used to determine the advertised current charger capabilities supported by the DFP.

VCONN is a 3V-5V supply used to power circuitry in the USB Type-C plug that is required to implement Electronically Marked Cables and other VCONN Powered accessories. By default the DFP always sources VCONN when connected to an active cable. The USB7052N requires the use of two external VCONN FETs. The device provides the enables for these FETs, and can detect an over-current event (OCS) by monitoring the output voltage of the FET via the CC pins.

USB7052N

If the voltage on the VCONN line is sensed as <3.0V by the CC comparator of the either CC1 or CC2 (whichever pin is operating as VCONN at the time) then an over-current event is detected and the VCONN supply is shut off. VCONN is only sourced on either the CC1 or the CC2 pin, never both. The pin which is to become the VCONN supply is determined only when a device is attached to the Type-C port. The VCONN supply is controlled from the hub DP1_VCONN1/DP1_VCONN2/DP2_VCONN2/DP2_VCONN2.

The device also implements a comparator for determining when a VBUS is within a programmed range, vSafe5V or vSafe0V. VBUS is divided down externally to provide a nominal 2.68V at the **VBUS_MON** pin. For a DFP, the VBUS comparator is useful to detect when VBUS is within the required range. For a UFP, the VBUS comparator is utilized to determine when a DFP is attached or detached. It may also use the comparator to determine when VBUS is within a new voltage range.

Note: The native USB Type-C functionality (including CC pin orientation and detection features) is managed autonomously by the USB7052N.

8.4 PortSplit

The PortSplit feature allows the USB 2.0 and USB 3.2 PHYs associated with a downstream port to be operationally separated. The intention of this feature is to allow a system designer to connect an embedded USB 3.x device to the USB 3.2 PHY, while allowing the USB 2.0 PHY to be used as either a standard USB 2.0 port or with a separate embedded USB 2.0 device. PortSplit can be configured via OTP/SMBus. By default, all ports are configured to non-split mode.

When PortSplit is disabled on a specific port, the corresponding **PRT_CTLx** pin controls both the USB 2.0 and USB 3.2 portions of the port (port power and overcurrent condition). When PortSplit is enabled on a specific port, the corresponding **PRT_CTLx** pin controls the USB 2.0 portion of the port, and the corresponding **PRT_CTLx_U3** pin controls the USB 3.2 portion of the port.

8.5 FlexConnect

The device allows the upstream port to be swapped with any downstream port, enabling any USB port to assume the role of USB host at any time during hub operation. This host role exchange feature is called FlexConnect. Additionally, the USB 2.0 ports can be flexed independently of the USB 3.2 ports.

This functionality can be used in two primary ways:

1. **Host Swapping:** This functionality can be achieved through a hub wherein a host and device can agree to swap the host/device relationship; The host becomes a device, and the device becomes a host.
2. **Host Sharing:** A USB ecosystem can be shared between multiple hosts. Note that only 1 host may access to the USB tree at a time.

FlexConnect can be enabled through any of the following three methods:

- **I²C Control:** The embedded I²C slave can be used to control the state of the FlexConnect feature through basic write/read operations.
- **USB Command:** FlexConnect can be initiated via a special USB command directed to the hub's internal Hub Feature Controller device.
- **Direct Pin Control:** Any available GPIO pin on the hub can be assigned the role of a FlexConnect control pin.

Note: Direct Pin Control is only available in CFG_STRAP Mode 4 - GPIO/FlexConnect. Refer to [Section 3.3.4, PF\[31:2\] Configuration \(CFG_STRAP\[2:1\]\)](#) for additional information.

For detailed information on utilizing the FlexConnect feature, refer to the application note "*USB70xx FlexConnect Operation*", which can be found on the Microchip USB7052N product page at www.microchip.com/USB7052N.

8.6 USB to GPIO Bridging

The USB to GPIO bridging feature provides system designers expanded system control and potential BOM reduction. General Purpose Input/Outputs (GPIOs) may be used for any general 3.3V level digital control and input functions.

Commands may be sent from the USB Host to the internal Hub Feature Controller device in the Microchip hub to perform the following functions:

- Set the direction of the GPIO (input or output)
- Enable a pull-up resistor
- Enable a pull-down resistor
- Read the state
- Set the state

For detailed information on utilizing the USB to GPIO bridging feature, refer to the application note “AN2750 USB to GPIO Bridging with Microchip USB70xx Hubs”, which can be found on the Microchip USB7052N product page at www.microchip.com/USB7052N.

8.7 USB to I²C Bridging

The USB to I²C bridging feature provides system designers expanded system control and potential BOM reduction. The use of a separate USB to I²C device is no longer required and a downstream USB port is not lost, as occurs when a standalone USB to I²C device is implemented.

Commands may be sent from the USB Host to the internal Hub Feature Controller device in the Microchip hub to perform the following functions:

- Configure I²C Pass-Through Interface
- I²C Write
- I²C Read

For detailed information on utilizing the USB to I²C bridging feature, refer to the application note “AN2754 USB to I²C Bridging with Microchip USB70xx Hubs”, which can be found on the Microchip USB7052N product page at www.microchip.com/USB7052N.

8.8 USB to SPI Bridging

The USB to SPI bridging feature provides system designers expanded system control and potential BOM reduction. The use of a separate USB to SPI device is no longer required and a downstream USB port is not lost, as occurs when a standalone USB to SPI device is implemented.

Commands may be sent from the USB Host to the internal Hub Feature Controller device in the Microchip hub to perform the following functions:

- Enable SPI Pass-Through Interface
- SPI Write/Read
- Disable SPI Pass-Through Interface

For detailed information on utilizing the USB to SPI bridging feature, refer to the application note “AN2790 USB to SPI Bridging with Microchip USB70xx Hubs”, which can be found on the Microchip USB7052N product page at www.microchip.com/USB7052N.

8.9 USB to UART Bridging

The USB to UART bridging feature provides system designers with expanded system control and potential BOM reduction. When using Microchip’s USB hubs, a separate USB to UART device is no longer required and a downstream USB port is not lost, as occurs when a standalone USB to UART device is implemented.

Commands may be sent from the USB Host to the internal Hub Feature Controller device in the Microchip hub to perform the following functions:

- Enable/Disable UART Interface
- Set UART Interface Baud Rate
- UART Write
- UART Read

USB7052N

For detailed information on utilizing the USB to UART bridging feature, refer to the application note “AN2726 USB to UART Bridging with Microchip USB7202 and USB725x Hubs”, which can be found on the Microchip USB7052N product page at www.microchip.com/USB7052N.

8.10 USB Billboard Device Class

USB Billboard is supported by the USB7052N in conjunction with an external USB Power Delivery capable controller that supports the USB PD stack and alternate mode negotiation.

When a USB Type-C enabled product supports alternate modes for enhanced capability beyond what is available through USB connectivity alone, that product must support a USB Billboard endpoint so that a user will be notified by an operating system when the enhanced capability is not enabled due to an alternate mode mismatch.

A good example of alternate mode functionality is support for a DisplayPort monitor that many docking stations provide. In this case, the docking station offers DisplayPort (DP) capability over the USB-C connector as an alternate mode. The DP monitor will only function correctly when a successful alternate mode negotiation occurs between the docking station and the notebook PC (this is the USB-C to USB-C connection). In order for the alternate mode negotiation to succeed, the Notebook and the Docking Station must both support DP over USB-C, and have the DP messaging capability enabled to support alternate mode negotiation. If the alternate mode negotiation is successful, then the notebook and the Docking Station both change their multiplexers to enable DP signaling over USB Type-C. In this case, no USB Billboard messages need to be displayed.

If the above example instead uses a notebook that doesn't support DP over USB-C, then the alternate mode negotiation will fail. The docking station will not have a way to enable the DP monitor capability, reducing functionality for the customer. For this is the reason, USB Billboard capability is mandated. In this case, a USB Billboard device class endpoint must appear on a hub port within the Docking Station, and it must provide text and or a web site link which will provide information to the user regarding the corrective steps required to use the feature.

In the case of the USB7052N, all of the above mentioned negotiation capability will occur outside of the USB7052N via an external USB Power Delivery capable device that contains a full USB PD stack and can communicate via USB PD messaging. In an alternate mode failure case, the USB7052N will provide that message by allowing the USB host to enumerate an internal USB Billboard Device Class just after the failure in response to a signal from the external USB PD controller. The Billboard Device descriptors will contain the failure message to the USB Host. The message itself will be prerecorded in the device's OTP memory.

The Billboard Device inside of the USB7052N must be activated by the external USB Power Delivery controller via a special command to the hubs SMBus configuration interface.

The Billboard Device descriptors can be modified by the OEM for the specific use-case via OTP programming. Only OTP Programming is supported for Billboard Device descriptor modification.

8.11 Link Power Management (LPM)

The device supports the L0 (On), L1 (Sleep), and L2 (Suspend) link power management states. These supported LPM states offer low transitional latencies in the tens of microseconds versus the much longer latencies of the traditional USB suspend/resume in the tens of milliseconds. The supported LPM states are detailed in [Table 8-1](#).

TABLE 8-1: LPM STATE DEFINITIONS

State	Description	Entry/Exit Time to L0
L2	Suspend	Entry: ~3 ms Exit: ~2 ms (from start of RESUME)
L1	Sleep	Entry: <10 us Exit: <50 us
L0	Fully Enabled (On)	-

8.12 Resets

The device includes the following chip-level reset sources:

- [Power-On Reset \(POR\)](#)
- [External Chip Reset \(RESET_N\)](#)
- [USB Bus Reset](#)

8.12.1 POWER-ON RESET (POR)

A power-on reset occurs whenever power is initially supplied to the device, or if power is removed and reapplied to the device. A timer within the device will assert the internal reset per the specifications listed in [Section 9.6.2, Power-On and Configuration Strap Timing](#).

8.12.2 EXTERNAL CHIP RESET (RESET_N)

A valid hardware reset is defined as assertion of **RESET_N**, after all power supplies are within operating range, per the specifications in [Section 9.6.3, Reset and Configuration Strap Timing](#). While reset is asserted, the device (and its associated external circuitry) enters Standby Mode and consumes minimal current.

Assertion of **RESET_N** causes the following:

1. The PHY is disabled and the differential pairs will be in a high-impedance state.
2. All transactions immediately terminate; no states are saved.
3. All internal registers return to the default state.
4. The external crystal oscillator is halted.
5. The PLL is halted.

Note: All power supplies must have reached the operating levels mandated in [Section 9.2, Operating Conditions**](#), prior to (or coincident with) the assertion of **RESET_N**.

8.12.3 USB BUS RESET

In response to the upstream port signaling a reset to the device, the device performs the following:

1. Sets default address to 0.
2. Sets configuration to Unconfigured.
3. Moves device from suspended to active (if suspended).
4. Complies with the USB Specification for behavior after completion of a reset sequence.

The host then configures the device in accordance with the USB Specification.

Note: The device does not propagate the upstream USB reset to downstream devices.

USB7052N

9.0 OPERATIONAL CHARACTERISTICS

9.1 Absolute Maximum Ratings*

+1.2 V and Digital Core Supply Voltage (V _{CORE}) (Note 1)	-0.5 V to +1.44 V
+3.3 V Supply Voltage (V _{DD33}) (Note 1)	-0.5 V to +4.6 V
Positive voltage on input signal pins, with respect to ground (Note 2)	+4.6 V
Negative voltage on input signal pins, with respect to ground	-0.5 V
Positive voltage on XTALI/CLK_IN, with respect to ground	+4.6 V
Positive voltage on USB DP/DM signal pins, with respect to ground	+6.0 V
Positive voltage on USB 3.2 Gen 1 USB3UP_XXXX and USB3DN_XXXX signal pins, with respect to ground	1.32 V
Storage Temperature	-55°C to +150°C
Junction Temperature	+125°C
Lead Temperature Range	Refer to JEDEC Spec. J-STD-020
HBM ESD Performance	+/-3 kV

Note 1: When powering this device from laboratory or system power supplies, it is important that the absolute maximum ratings not be exceeded or device failure can result. Some power supplies exhibit voltage spikes on their outputs when AC power is switched on or off. In addition, voltage transients on the AC power line may appear on the DC output. If this possibility exists, it is suggested that a clamp circuit be used.

Note 2: This rating does not apply to the following pins: All USB DM/DP pins, XTALI/CLK_IN, and XTALO

*Stresses exceeding those listed in this section could cause permanent damage to the device. This is a stress rating only. Exposure to absolute maximum rating conditions for extended periods may affect device reliability. Functional operation of the device at any condition exceeding those indicated in [Section 9.2, Operating Conditions**](#), [Section 9.5, DC Specifications](#), or any other applicable section of this specification is not implied.

9.2 Operating Conditions**

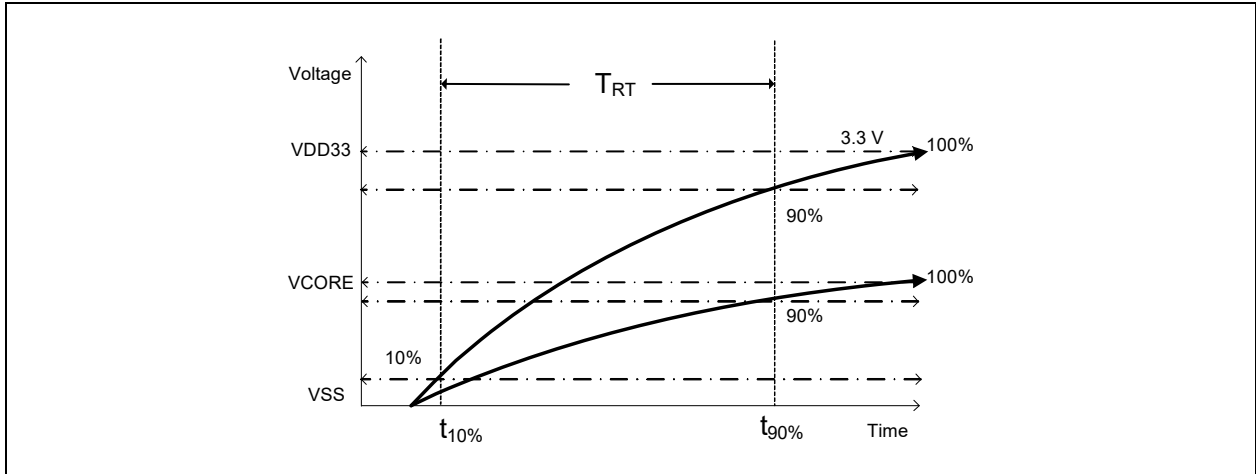
+1.2 V Digital Core Supply Voltage (V _{CORE})	+1.08 V to +1.32 V
+3.3 V Supply Voltage (V _{DD33})	+3.0 V to +3.6 V
Input Signal Pins Voltage (Note 2)	-0.3 V to +3.6 V
XTALI/CLK_IN Voltage	-0.3 V to +3.6 V
USB 2.0 DP/DM Signal Pins Voltage	-0.3 V to +5.5 V
USB 3.2 Gen 1 USB3UP_XXXX and USB3DN_XXXX Signal Pins Voltage	-0.3 V to +1.32 V
Ambient Operating Temperature in Still Air (T _A)	Note 3
Digital Core Supply Voltage Rise Time (T _{RT} in Figure 9-1)	5 ms
+3.3 V Supply Voltage Rise Time (T _{RT} in Figure 9-1)	5 ms

Note 3: 0°C to +70°C for commercial version, -40°C to +85°C for industrial/automotive version.

**Proper operation of the device is guaranteed only within the ranges specified in this section.

Note: Do not drive input signals without power supplied to the device.

FIGURE 9-1: SUPPLY RISE TIME MODEL



Note: The Power Supply Rise time requirement does not apply if the **RESET_N** signal is held low during power on and released after power levels rise and stabilize above the power on thresholds, or if the **RESET_N** signal is toggled after power supplies become stable.

9.3 Package Thermal Specifications

TABLE 9-1: PACKAGE THERMAL PARAMETERS

Symbol	°C/W	Velocity (Meters/s)
Θ_{JA}	19	0
	16	1
	14	2.5
Ψ_{JT}	0.1	0
	0.1	1
Ψ_{JB}	9	0
Θ_{JC}	1.3	0
	1.3	1
Θ_{JB}	10	-

Note: Thermal parameters are measured or estimated for devices in a multi-layer 2S2P PCB per JESDN51. For industrial/automotive applications, the USB7052N requires multi-layer 2S4P PCB power dissipation.

USB7052N

9.4 Power Consumption

This section details the power consumption of the device as measured during various modes of operation. Power dissipation is determined by temperature, supply voltage, and external source/sink requirements.

	Typical (mA) @ 25°C		Typical Power (mW)
	V _{CORE} (1.2V)	V _{DD33} (3.3V)	
Global Suspend	37	22	117
No VBUS	37	22	117
Reset/Standby	2	0	2
Idle	63	35	191
Active Idle	610	70	963
SuperSpeed Active Operation			
3 SuperSpeed Active Ports	614	66	955
Hi-Speed Active Operation			
4 Hi-Speed Active Ports	67	51	248
Full-Speed Active Operation			
4 Full-Speed Active Ports	63	38	201
Mixed SuperSpeed / Hi-Speed Active Operation			
3SS / 1HS Active Ports	615	70	969
Data for Calculating Active Transfer Current			
Upstream Port Link Speed Base Currents			
SS Current	239	49	
HS Current	63	35	
Additional Current Per Active Enabled Port			
SS Current	125	6	
HS Current	1	4	
Example Active Data Transfer Current Calculation: 2 SS Ports and 2 HS Ports			
Active Data Transfer Current (mA @ 3.3V)	$49\text{mA} + (N_{\text{SS_PORTS}} * 6\text{mA}) + (N_{\text{HS_PORTS}} * 4\text{mA})$ $49\text{mA} + \{2 * 6\text{mA}\} + \{2 * 4\text{mA}\} = 69\text{mA}$		
Active Data Transfer Current (mA @ 1.2V)	$239\text{mA} + (N_{\text{SS_PORTS}} * 125\text{mA}) + (N_{\text{HS_PORTS}} * 1\text{mA})$ $239\text{mA} + \{2 * 125\text{mA}\} + \{2 * 1\text{mA}\} = 491\text{mA}$		

Note: Actual Power Consumption measurements are highly dependent on the USB host's ability to utilize the full bandwidth of USB2 and USB3 channels. In actual in-system measurements, significant variation in power consumption measurement from host to host and data transfer type is expected.

Note: In the Active Idle and Active Data Transfer sections of the Device Power Consumption table, the various port configurations are indicated via the following acronyms:
SS = USB 3.2 SuperSpeed (Gen 1)
HS = USB 2.0 High Speed

9.5 DC Specifications

TABLE 9-2: I/O DC ELECTRICAL CHARACTERISTICS

Parameter	Symbol	Min	Typical	Max	Units	Notes
I Type Input Buffer						
Low Input Level	V_{IL}			0.9	V	
High Input Level	V_{IH}	1.8			V	
IS Type Input Buffer						
Low Input Level	V_{IL}			0.9	V	
High Input Level	V_{IH}	1.8			V	
Schmitt Trigger Hysteresis ($V_{IHT} - V_{ILT}$)	V_{HYS}	100	160	240	mV	
O12 Type Output Buffer						
Low Output Level	V_{OL}			0.4	V	$I_{OL} = 12\text{ mA}$
High Output Level	V_{OH}	VDD33-0.4			V	$I_{OH} = -12\text{ mA}$
OD12 Type Output Buffer						
Low Output Level	V_{OL}			0.4	V	$I_{OL} = 12\text{ mA}$
ICLK Type Input Buffer (XTALI Input)						
Low Input Level	V_{IL}			0.35	V	Note 4
High Input Level	V_{IH}	0.9		1.2	V	
IO-U Type Buffer (See Note 5)						

Note 4: XTALI can optionally be driven from a 25 MHz singled-ended clock oscillator.

Note 5: Refer to the USB 3.2 Gen 1 Specification for USB DC electrical characteristics.

USB7052N

9.6 AC Specifications

This section details the various AC timing specifications of the device.

9.6.1 POWER SUPPLY AND RESET_N SEQUENCE TIMING

Figure 9-2 illustrates the recommended power supply sequencing and timing for the device. VDD33 should rise after or at the same time as V_{CORE}. Similarly, RESET_N should rise after or at the same time as VDD33.

Note: In a typical application, voltage may be present on the VBUS_MON_UP pin before the device is powered. This is permissible as this pin is designed specifically for this scenario.

FIGURE 9-2: POWER SUPPLY AND RESET_N SEQUENCE TIMING

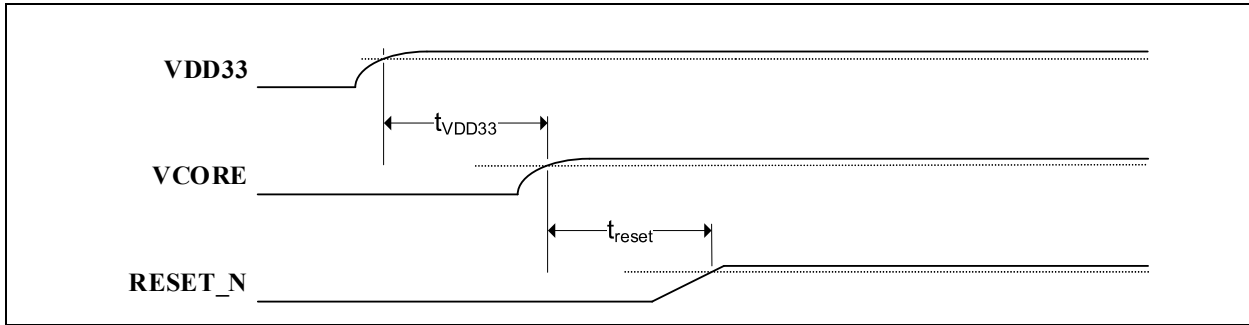


TABLE 9-3: POWER SUPPLY AND RESET_N SEQUENCE TIMING

Symbol	Description	Min	Typ	Max	Units
t_{VDD33}	VDD33 to V _{CORE} rise delay	0			ms
t_{reset}	VDD33 to RESET_N rise delay	1			ms

9.6.2 POWER-ON AND CONFIGURATION STRAP TIMING

Figure 9-3 illustrates the configuration strap valid timing requirements in relation to power-on, for applications where RESET_N is not used at power-on. In order for valid configuration strap values to be read at power-on, the following timing requirements must be met. The operational levels (V_{opp}) for the external power supplies are detailed in Section 9.2, Operating Conditions**.

FIGURE 9-3: POWER-ON CONFIGURATION STRAP VALID TIMING

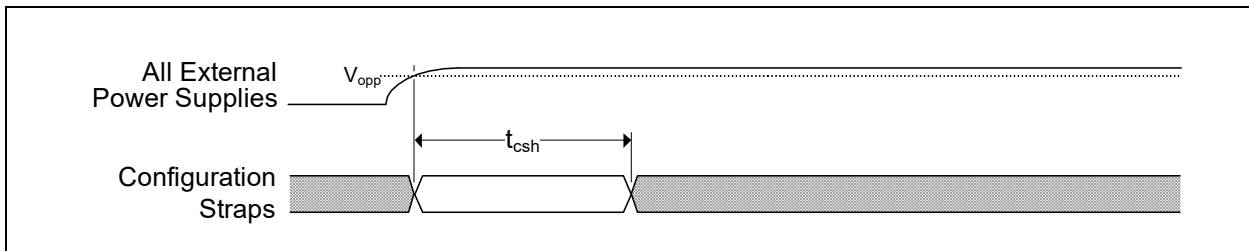


TABLE 9-4: POWER-ON CONFIGURATION STRAP LATCHING TIMING

Symbol	Description	Min	Typ	Max	Units
t_{csh}	Configuration strap hold after external power supplies at operational levels	1			ms

Device configuration straps are also latched as a result of RESET_N assertion. Refer to Section 9.6.3, Reset and Configuration Strap Timing for additional details.

9.6.3 RESET AND CONFIGURATION STRAP TIMING

Figure 9-4 illustrates the **RESET_N** pin timing requirements and its relation to the configuration strap pins. Assertion of **RESET_N** is not a requirement. However, if used, it must be asserted for the minimum period specified. Refer to Section 8.12, [Resets](#) for additional information on resets. Refer to Section 3.3, [Configuration Straps and Programmable Functions](#) for additional information on configuration straps.

FIGURE 9-4: RESET_N CONFIGURATION STRAP TIMING

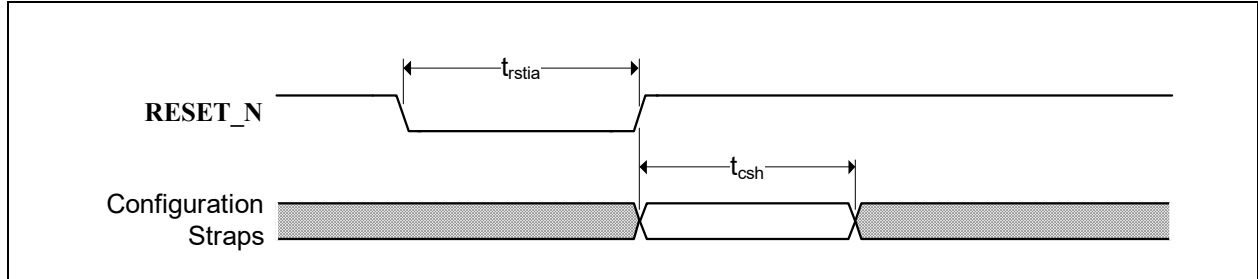


TABLE 9-5: RESET_N CONFIGURATION STRAP TIMING

Symbol	Description	Min	Typ	Max	Units
t_{rstia}	RESET_N input assertion time	1			ms
t_{csh}	Configuration strap pins hold after RESET_N deassertion	1			ms

Note: The clock input must be stable prior to **RESET_N** deassertion.

Configuration strap latching and output drive timings shown assume that the Power-On reset has finished first otherwise the timings in Section 9.6.2, [Power-On and Configuration Strap Timing](#) apply.

9.6.4 POWER-ON OR RESET TO SMBUS SLAVE READY TIMING

Figure 9-5 illustrates the SMBus Slave interface readiness in relation to power-on or de-assertion of **RESET_N**. In order to ensure reliable SMBus slave operation, the SMBus master must allow the bus to remain idle until t_{SMBUS_RDY} timing has been met. The operational levels (V_{opp}) for the external power supplies are detailed in Section 9.2, [Operating Conditions**](#).

FIGURE 9-5: POWER-ON OR RESET TO SMBUS SLAVE READY TIMING

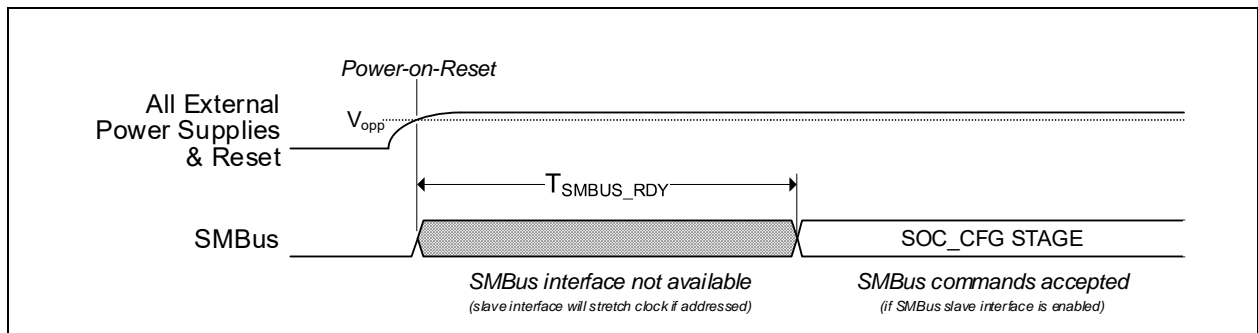


TABLE 9-6: POWER-ON OR RESET TO SMBUS SLAVE READY TIMING

Symbol	Description	Min	Typ	Max	Units
t_{SMBUS_RDY}	Power-on or RESET_N deassertion to SMBus ready	100			ms

USB7052N

9.6.5 USB ATTACH COMMAND TO SMBUS SLAVE READY TIMING

Figure 9-6 illustrates the SMBus Slave interface readiness in relation to ACK of the Slave interface to the “USB Attach with SMBus Runtime Access” (AA56h) from the SMBus Master. In order to ensure reliable SMBus slave operation, the SMBus master must allow the bus to remain idle after issuing the “USB Attach with SMBus Runtime Access” until t_{ATT_RDY} timing has been met.

Note: When accessing SMBus during runtime, it is critical to force some clocks to stay on. If this step is not taken, the SMBus slave interface will not be accessible while the hub is placed into a Suspend state by the host.

FIGURE 9-6: USB ATTACH COMMAND TO SMBUS SLAVE READY TIMING

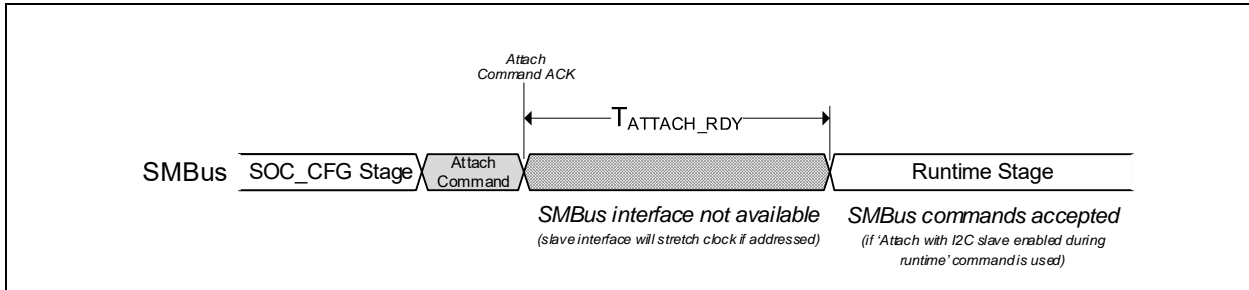


TABLE 9-7: USB ATTACH COMMAND TO SMBUS SLAVE READY TIMING

Symbol	Description	Min	Typ	Max	Units
t_{ATTACH_RDY}	USB Attach command to SMBus ready (Note 6)	150			ms

Note 6: The t_{ATTACH_RDY} values are preliminary and subject to change.

9.6.6 USB TIMING

All device USB signals conform to the voltage, power, and timing characteristics/specifications as set forth in the *Universal Serial Bus Specification*. Please refer to the *Universal Serial Bus Revision 3.2 Specification*, available at <http://www.usb.org/developers/docs>.

9.6.7 SMBUS TIMING

All device SMBus signals conform to the voltage, power, and timing characteristics/specifications as set forth in the *System Management Bus Specification*. Please refer to the *System Management Bus Specification*, Version 1.0, available at <http://smbus.org/specs>.

9.6.8 I²C TIMING

All device I²C signals conform to the 100KHz Standard-mode (Sm) and 400KHz Fast Mode (Fm) voltage, power, and timing characteristics/specifications as set forth in the *I²C-Bus Specification*. Please refer to the *I²C-Bus Specification*, available at http://www.nxp.com/documents/user_manual/UM10204.pdf.

9.6.9 I²S TIMING

All device I²S signals conform to the voltage, power, and timing characteristics/specifications as set forth in the *I²S-Bus Specification*. Please refer to the *I²S-Bus Specification*, available at www.sparkfun.com/datasheets/BreakoutBoards/I2SBUS.pdf

9.6.10 SPI/SQI MASTER TIMING

This section specifies the SPI/SQI master timing requirements for the device.

FIGURE 9-7: SPI/SQI MASTER TIMING

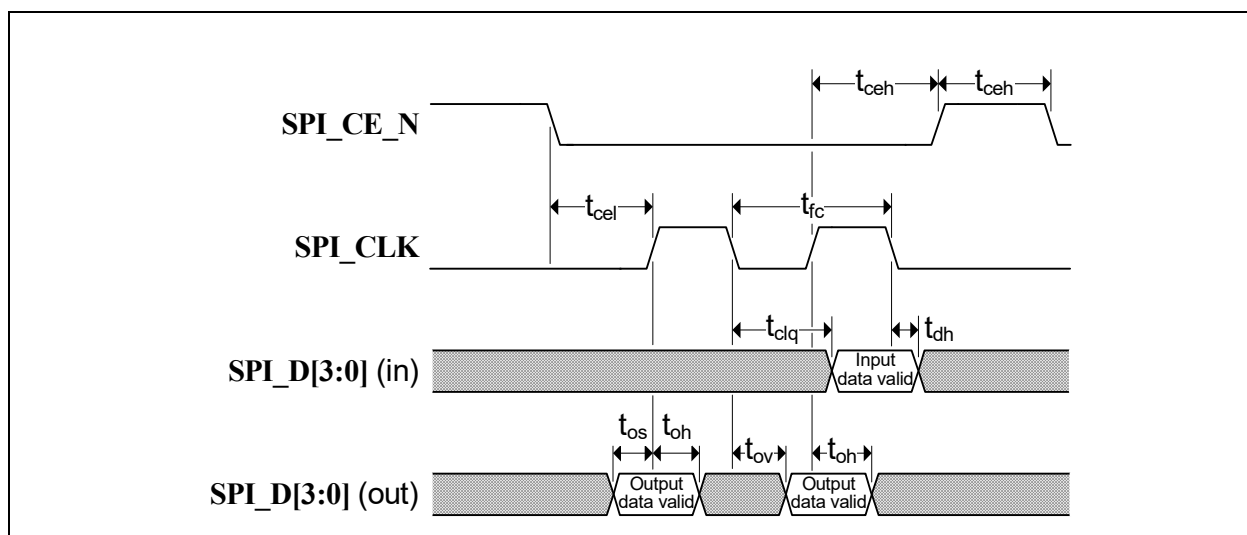


TABLE 9-8: SPI/SQI MASTER TIMING (30 MHZ OPERATION)

Symbol	Description	Min	Typ	Max	Units
t _{fc}	Clock frequency			30	MHz
t _{ceh}	Chip enable (SPI_CE_N) high time	100			ns
t _{clq}	Clock to input data			13	ns
t _{dh}	Input data hold time	0			ns
t _{os}	Output setup time	5			ns
t _{oh}	Output hold time	5			ns
t _{ov}	Clock to output valid	4			ns
t _{cel}	Chip enable (SPI_CE_N) low to first clock	12			ns
t _{ceh}	Last clock to chip enable (SPI_CE_N) high	12			ns

TABLE 9-9: SPI/SQI MASTER TIMING (60 MHZ OPERATION)

Symbol	Description	Min	Typ	Max	Units
t _{fc}	Clock frequency			60	MHz
t _{ceh}	Chip enable (SPI_CE_N) high time	50			ns
t _{clq}	Clock to input data			9	ns
t _{dh}	Input data hold time	0			ns
t _{os}	Output setup time	5			ns
t _{oh}	Output hold time	5			ns
t _{ov}	Clock to output valid	4			ns
t _{cel}	Chip enable (SPI_CE_N) low to first clock	12			ns
t _{ceh}	Last clock to chip enable (SPI_CE_N) high	12			ns

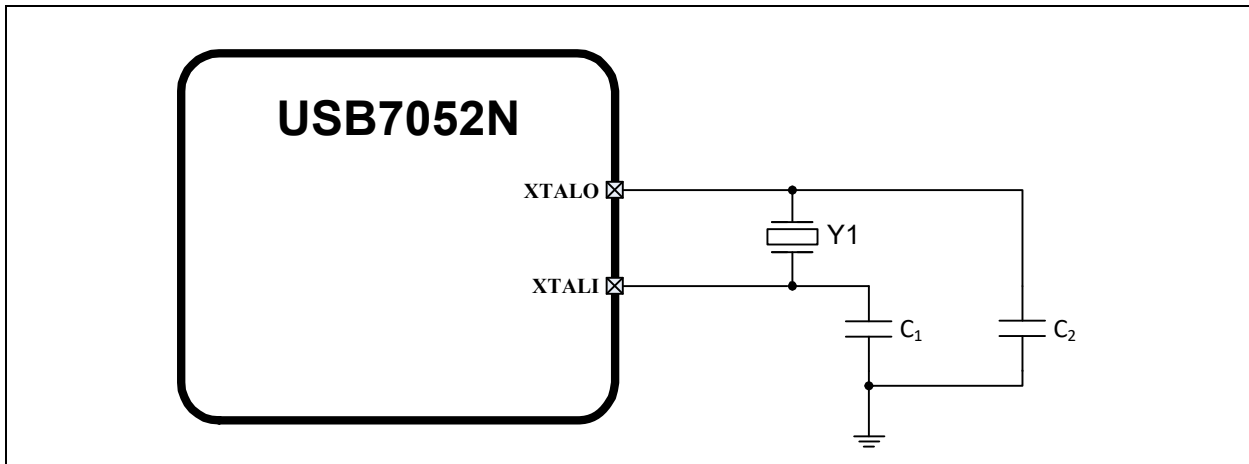
USB7052N

9.7 Clock Specifications

The device can accept either a 25MHz crystal or a 25MHz single-ended clock oscillator input. If the single-ended clock oscillator method is implemented, XTALO should be left unconnected and XTALI/CLK_IN should be driven with a nominal 0-3.3V clock signal. The input clock duty cycle is 40% minimum, 50% typical and 60% maximum.

It is recommended that a crystal utilizing matching parallel load capacitors be used for the crystal input/output signals (XTALI/XTALO). The following circuit design (Figure 9-8) and specifications (Table 9-10) are required to ensure proper operation.

FIGURE 9-8: 25MHZ CRYSTAL CIRCUIT



9.7.1 CRYSTAL SPECIFICATIONS

It is recommended that a crystal utilizing matching parallel load capacitors be used for the crystal input/output signals (XTALI/XTALO). Refer to Table 9-10 for the recommended crystal specifications.

TABLE 9-10: CRYSTAL SPECIFICATIONS

Parameter	Symbol	Min	Nom	Max	Units	Notes
Crystal Cut		AT, typ				
Crystal Oscillation Mode		Fundamental Mode				
Crystal Calibration Mode		Parallel Resonant Mode				
Frequency	F_{fund}	-	25.000	-	MHz	
Frequency Tolerance @ 25°C	F_{tol}	-	-	±50	PPM	
Frequency Stability Over Temp	F_{temp}	-	-	±50	PPM	
Frequency Deviation Over Time	F_{age}	-	±3 to 5	-	PPM	Note 7
Total Allowable PPM Budget		-	-	±100	PPM	
Shunt Capacitance	C_O	-	5 typ	-	pF	
Load Capacitance	C_L	-	10 typ	-	pF	
Drive Level	P_W	100	-	-	uW	
Equivalent Series Resistance	R_1	-	-	60	Ω	
Operating Temperature Range		Note 8	-	Note 9	°C	
XTALI/CLK_IN Pin Capacitance		-	3 typ	-	pF	Note 10
XTALO Pin Capacitance		-	3 typ	-	pF	Note 10

Note 7: Frequency Deviation Over Time is also referred to as Aging.

Note 8: 0 °C for commercial version, -40 °C for industrial/automotive version.

Note 9: +70 °C for commercial version, +85 °C for industrial/automotive version.

Note 10: This number includes the pad, the bond wire and the lead frame. PCB capacitance is not included in this value. The XTALI/CLK_IN pin, XTALO pin and PCB capacitance values are required to accurately calculate the value of the two external load capacitors. These two external load capacitors determine the accuracy of the 25.000 MHz frequency.

9.7.2 EXTERNAL REFERENCE CLOCK (CLK_IN)

When using an external reference clock, the following clock characteristics are required:

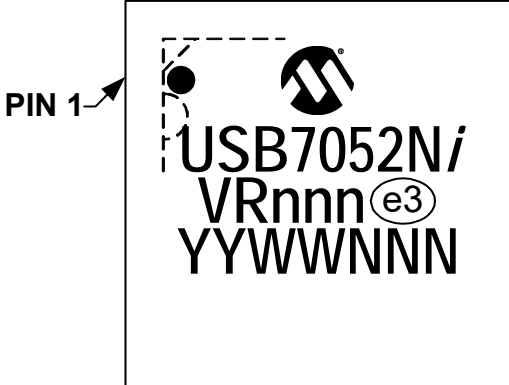
- 25 MHz
- 50% duty cycle $\pm 10\%$, ± 100 ppm
- Jitter < 100 ps RMS

USB7052N

10.0 PACKAGE OUTLINE

10.1 Package Marking Information

100-VQFN (12x12 mm)



PIN 1

USB7052N/
VRnnn e3
YYWWNNN

Legend:	<i>i</i>	Temperature range designator (Blank = commercial, <i>i</i> = industrial/automotive)
	V	Automotive
	R	Product revision
	nnn	Internal code
	e3	Pb-free JEDEC [®] designator for Matte Tin (Sn)
	YY	Year code (last two digits of calendar year)
	WW	Week code (week of January 1 is week '01')
	NNN	Alphanumeric traceability code

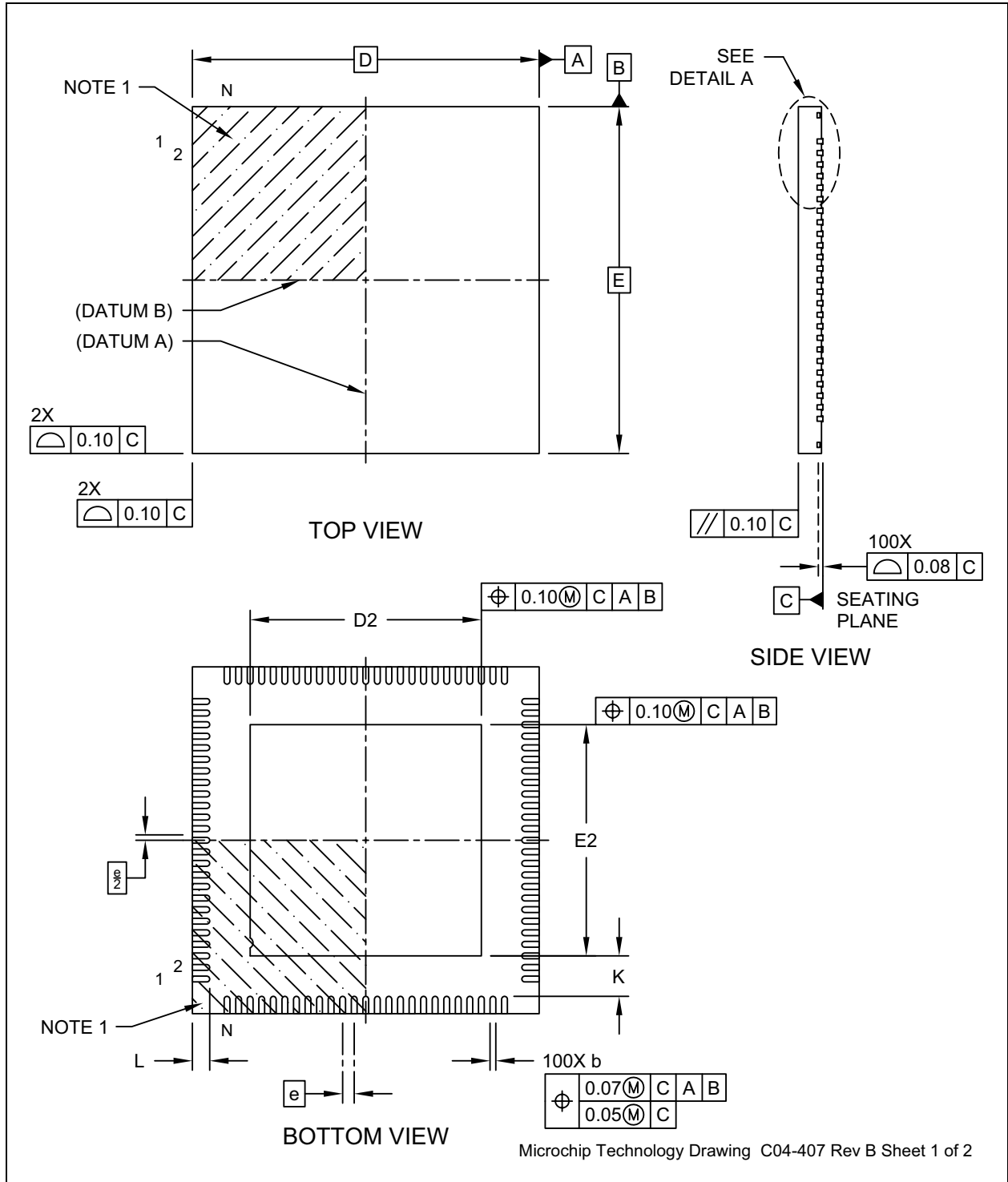
Note: In the event the full Microchip part number cannot be marked on one line, it will be carried over to the next line, thus limiting the number of available characters for customer-specific information.

* Standard device marking consists of Microchip part number, year code, week code and traceability code. For device marking beyond this, certain price adders apply. Please check with your Microchip Sales Office. For QTP devices, any special marking adders are included in QTP price.

10.2 Package Drawings

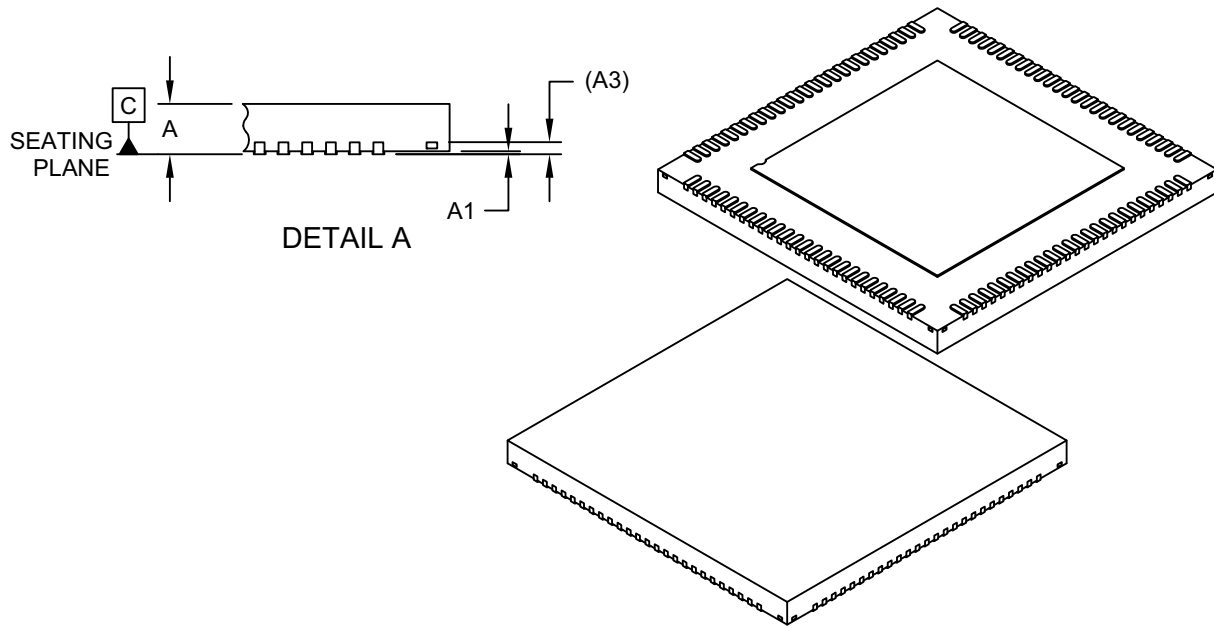
Note: For the most current package drawings, see the Microchip Packaging Specification at: <http://www.microchip.com/packaging>.

FIGURE 10-1: 100-VQFN PACKAGE (DRAWING)



USB7052N

FIGURE 10-2: 100-VQFN PACKAGE (DIMENSIONS)



Dimension Limits	Units	MILLIMETERS		
		MIN	NOM	MAX
Number of Terminals	N	100		
Pitch	e	0.40 BSC		
Overall Height	A	0.80	0.85	0.90
Standoff	A1	0.00	0.02	0.05
Terminal Thickness	A3	0.203 REF		
Overall Length	D	12.00 BSC		
Exposed Pad Length	D2	7.90	8.00	8.10
Overall Width	E	12.00 BSC		
Exposed Pad Width	E2	7.90	8.00	8.10
Terminal Width	b	0.15	0.20	0.25
Terminal Length	L	0.50	0.60	0.70
Terminal-to-Exposed-Pad	K	1.30	-	-

Notes:

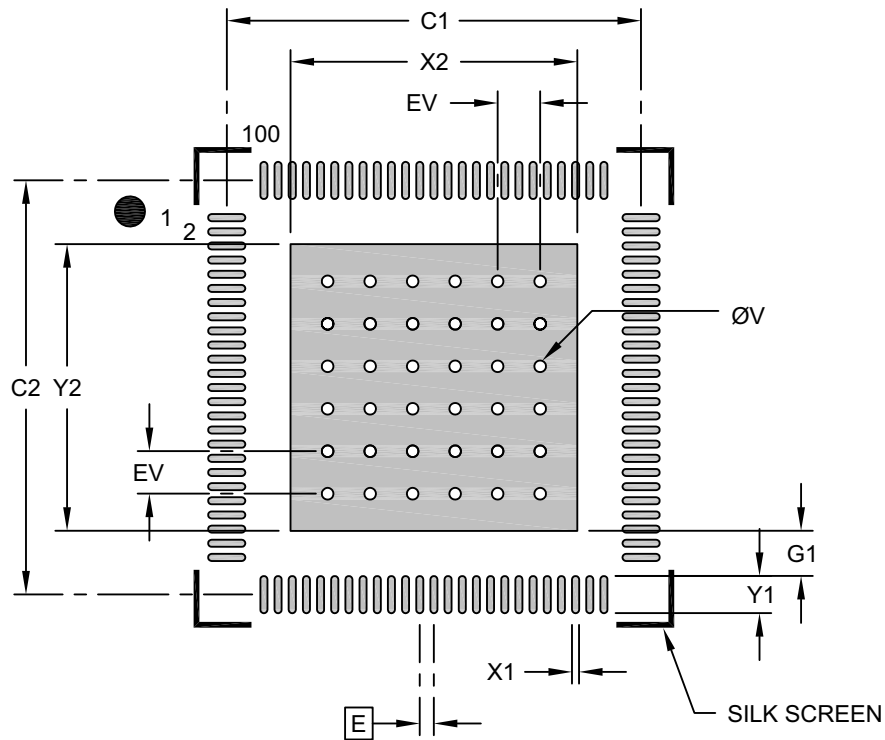
1. Pin 1 visual index feature may vary, but must be located within the hatched area.
2. Package is saw singulated
3. Dimensioning and tolerancing per ASME Y14.5M

BSC: Basic Dimension. Theoretically exact value shown without tolerances.

REF: Reference Dimension, usually without tolerance, for information purposes only.

Microchip Technology Drawing C04-407 Rev B Sheet 2 of 2

FIGURE 10-3: 100-VQFN PACKAGE (LAND-PATTERN)



RECOMMENDED LAND PATTERN

Dimension Limits	Units	MILLIMETERS		
		MIN	NOM	MAX
Contact Pitch	E	0.40 BSC		
Optional Center Pad Width	X2			8.10
Optional Center Pad Length	Y2			8.10
Contact Pad Spacing	C1		11.70	
Contact Pad Spacing	C2		11.70	
Contact Pad Width (X100)	X1			0.20
Contact Pad Length (X100)	Y1			1.05
Contact Pad to Center Pad (X100)	G1	0.20		
Thermal Via Diameter	V		0.33	
Thermal Via Pitch	EV		1.20	

Notes:

1. Dimensioning and tolerancing per ASME Y14.5M
BSC: Basic Dimension. Theoretically exact value shown without tolerances.
2. For best soldering results, thermal vias, if used, should be filled or tented to avoid solder loss during reflow process

Microchip Technology Drawing C04-2407A

USB7052N

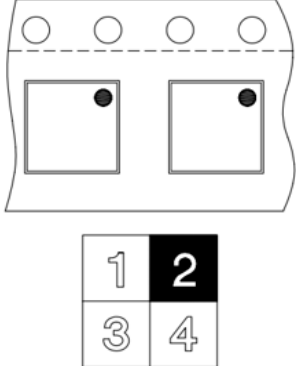
APPENDIX A: REVISION HISTORY

TABLE A-1: REVISION HISTORY

Revision Level & Date	Section/Figure/Entry	Correction
DS00004505A(03-30-22)		Initial release

PRODUCT IDENTIFICATION SYSTEM

To order or obtain information, e.g., on pricing or delivery, refer to the factory or the listed sales office.

<u>PART NO.</u>	<u>[X]⁽¹⁾</u>	-	<u>[X]</u>	/	<u>XXX</u>	<u>XXX</u>
Device	Tape and Reel Option		Temperature Range		Package	Automotive Code
<p>Device: USB7052N</p> <p>Tape and Reel Option: Blank = Standard packaging (tray) T = Tape and Reel (Note 1)</p> <p>Temperature Range: Blank = 0°C to +70°C (Commercial) I = -40°C to +85°C (Industrial/Automotive Grade 3)</p> <p>Package: KDX = 100-pin VQFN</p> <p>Automotive Code: Vxx = 3 character code with "V" prefix, specifying automotive product</p>						
<p style="margin-bottom: 5px;">→</p> <p>DIRECTION OF UNREELING</p> 						
<p>Examples:</p> <ul style="list-style-type: none"> a) USB7052N/KDX Tray, 0°C to +70°C, 100-pin VQFN b) USB7052NT/KDX Tape & reel, 0°C to +70°C, 100-pin VQFN c) USB7052N-I/KDX Tray, -40°C to +85°C, 100-pin VQFN d) USB7052NT-I/KDX Tape & reel, -40°C to +85°C, 100-pin VQFN e) USB7052N-I/KDXVAO Tray, -40°C to +85°C, Automotive Grade 3, 100-pin VQFN f) USB7052NT-I/KDXVAO Tape & reel, -40°C to +85°C, Automotive Grade 3, 100-pin VQFN <p>Note 1: Tape and Reel identifier only appears in the catalog part number description. This identifier is used for ordering purposes and is not printed on the device package. Check with your Microchip Sales Office for package availability with the Tape and Reel option.</p>						

USB7052N

THE MICROCHIP WEB SITE

Microchip provides online support via our WWW site at www.microchip.com. This web site is used as a means to make files and information easily available to customers. Accessible by using your favorite Internet browser, the web site contains the following information:

- **Product Support** – Data sheets and errata, application notes and sample programs, design resources, user's guides and hardware support documents, latest software releases and archived software
- **General Technical Support** – Frequently Asked Questions (FAQ), technical support requests, online discussion groups, Microchip consultant program member listing
- **Business of Microchip** – Product selector and ordering guides, latest Microchip press releases, listing of seminars and events, listings of Microchip sales offices, distributors and factory representatives

CUSTOMER CHANGE NOTIFICATION SERVICE

Microchip's customer notification service helps keep customers current on Microchip products. Subscribers will receive e-mail notification whenever there are changes, updates, revisions or errata related to a specified product family or development tool of interest.

To register, access the Microchip web site at www.microchip.com. Under "Support", click on "Customer Change Notification" and follow the registration instructions.

CUSTOMER SUPPORT

Users of Microchip products can receive assistance through several channels:

- Distributor or Representative
- Local Sales Office
- Field Application Engineer (FAE)
- Technical Support

Customers should contact their distributor, representative or Field Application Engineer (FAE) for support. Local sales offices are also available to help customers. A listing of sales offices and locations is included in the back of this document.

Technical support is available through the web site at: <http://microchip.com/support>

Note the following details of the code protection feature on Microchip products:

- Microchip products meet the specifications contained in their particular Microchip Data Sheet.
- Microchip believes that its family of products is secure when used in the intended manner, within operating specifications, and under normal conditions.
- Microchip values and aggressively protects its intellectual property rights. Attempts to breach the code protection features of Microchip product is strictly prohibited and may violate the Digital Millennium Copyright Act.
- Neither Microchip nor any other semiconductor manufacturer can guarantee the security of its code. Code protection does not mean that we are guaranteeing the product is “unbreakable”. Code protection is constantly evolving. Microchip is committed to continuously improving the code protection features of our products.

This publication and the information herein may be used only with Microchip products, including to design, test, and integrate Microchip products with your application. Use of this information in any other manner violates these terms. Information regarding device applications is provided only for your convenience and may be superseded by updates. It is your responsibility to ensure that your application meets with your specifications. Contact your local Microchip sales office for additional support or, obtain additional support at <https://www.microchip.com/en-us/support/design-help/client-support-services>.

THIS INFORMATION IS PROVIDED BY MICROCHIP "AS IS". MICROCHIP MAKES NO REPRESENTATIONS OR WARRANTIES OF ANY KIND WHETHER EXPRESS OR IMPLIED, WRITTEN OR ORAL, STATUTORY OR OTHERWISE, RELATED TO THE INFORMATION INCLUDING BUT NOT LIMITED TO ANY IMPLIED WARRANTIES OF NON-INFRINGEMENT, MERCHANTABILITY, AND FITNESS FOR A PARTICULAR PURPOSE, OR WARRANTIES RELATED TO ITS CONDITION, QUALITY, OR PERFORMANCE.

IN NO EVENT WILL MICROCHIP BE LIABLE FOR ANY INDIRECT, SPECIAL, PUNITIVE, INCIDENTAL, OR CONSEQUENTIAL LOSS, DAMAGE, COST, OR EXPENSE OF ANY KIND WHATSOEVER RELATED TO THE INFORMATION OR ITS USE, HOWEVER CAUSED, EVEN IF MICROCHIP HAS BEEN ADVISED OF THE POSSIBILITY OR THE DAMAGES ARE FORESEEABLE. TO THE FULLEST EXTENT ALLOWED BY LAW, MICROCHIP'S TOTAL LIABILITY ON ALL CLAIMS IN ANY WAY RELATED TO THE INFORMATION OR ITS USE WILL NOT EXCEED THE AMOUNT OF FEES, IF ANY, THAT YOU HAVE PAID DIRECTLY TO MICROCHIP FOR THE INFORMATION.

Use of Microchip devices in life support and/or safety applications is entirely at the buyer's risk, and the buyer agrees to defend, indemnify and hold harmless Microchip from any and all damages, claims, suits, or expenses resulting from such use. No licenses are conveyed, implicitly or otherwise, under any Microchip intellectual property rights unless otherwise stated.

Trademarks

The Microchip name and logo, the Microchip logo, Adaptec, AnyRate, AVR, AVR logo, AVR Freaks, BesTime, BitCloud, CryptoMemory, CryptoRF, dsPIC, flexPWR, HELDO, IGLOO, JukeBlox, KeeLoq, Klear, LANCheck, LinkMD, maXStylus, maXTouch, MedialB, megaAVR, Microsemi, Microsemi logo, MOST, MOST logo, MPLAB, OptoLyzer, PIC, picoPower, PICSTART, PIC32 logo, PolarFire, Prochip Designer, QTouch, SAM-BA, SenGenuity, SpyNIC, SST, SST Logo, SuperFlash, Symmetricom, SyncServer, Tachyon, TimeSource, tinyAVR, UNI/O, Vectron, and XMEGA are registered trademarks of Microchip Technology Incorporated in the U.S.A. and other countries.

AgileSwitch, APT, ClockWorks, The Embedded Control Solutions Company, EtherSynch, Flashtec, Hyper Speed Control, HyperLight Load, IntelliMOS, Libero, motorBench, mTouch, Powermite 3, Precision Edge, ProASIC, ProASIC Plus, ProASIC Plus logo, Quiet-Wire, SmartFusion, SyncWorld, Temux, TimeCesium, TimeHub, TimePictra, TimeProvider, TrueTime, WinPath, and ZL are registered trademarks of Microchip Technology Incorporated in the U.S.A.

Adjacent Key Suppression, AKS, Analog-for-the-Digital Age, Any Capacitor, AnyIn, AnyOut, Augmented Switching, BlueSky, BodyCom, CodeGuard, CryptoAuthentication, CryptoAutomotive, CryptoCompanion, CryptoController, dsPICDEM, dsPICDEM.net, Dynamic Average Matching, DAM, ECAN, Espresso T1S, EtherGREEN, GridTime, IdealBridge, In-Circuit Serial Programming, ICSP, INICnet, Intelligent Paralleling, Inter-Chip Connectivity, JitterBlocker, Knob-on-Display, maxCrypto, maxView, memBrain, Mindi, MiWi, MPASM, MPF, MPLAB Certified logo, MPLIB, MPLINK, MultiTRAK, NetDetach, NVM Express, NVMe, Omniscient Code Generation, PICDEM, PICDEM.net, PICkit, PICtail, PowerSmart, PureSilicon, QMatrix, REAL ICE, Ripple Blocker, RTAX, RTG4, SAM-ICE, Serial Quad I/O, simpleMAP, SimpliPHY, SmartBuffer, SmartHLS, SMART-I.S., storClad, SQL, SuperSwitcher, SuperSwitcher II, Switchtec, SynchroPHY, Total Endurance, TSHARC, USBCheck, VariSense, VectorBlox, VeriPHY, ViewSpan, WiperLock, XpressConnect, and ZENA are trademarks of Microchip Technology Incorporated in the U.S.A. and other countries.

SQTP is a service mark of Microchip Technology Incorporated in the U.S.A.

The Adaptec logo, Frequency on Demand, Silicon Storage Technology, Symmcom, and Trusted Time are registered trademarks of Microchip Technology Inc. in other countries.

GestIC is a registered trademark of Microchip Technology Germany II GmbH & Co. KG, a subsidiary of Microchip Technology Inc., in other countries.

All other trademarks mentioned herein are property of their respective companies.

© 2022, Microchip Technology Incorporated and its subsidiaries.

All Rights Reserved.

ISBN: 9781668301067

For information regarding Microchip's Quality Management Systems, please visit www.microchip.com/quality.



Worldwide Sales and Service

AMERICAS

Corporate Office
2355 West Chandler Blvd.
Chandler, AZ 85224-6199
Tel: 480-792-7200
Fax: 480-792-7277
Technical Support:
[http://www.microchip.com/
support](http://www.microchip.com/support)
Web Address:
www.microchip.com

Atlanta
Duluth, GA
Tel: 678-957-9614
Fax: 678-957-1455

Austin, TX
Tel: 512-257-3370

Boston
Westborough, MA
Tel: 774-760-0087
Fax: 774-760-0088

Chicago
Itasca, IL
Tel: 630-285-0071
Fax: 630-285-0075

Dallas
Addison, TX
Tel: 972-818-7423
Fax: 972-818-2924

Detroit
Novi, MI
Tel: 248-848-4000

Houston, TX
Tel: 281-894-5983

Indianapolis
Noblesville, IN
Tel: 317-773-8323
Fax: 317-773-5453
Tel: 317-536-2380

Los Angeles
Mission Viejo, CA
Tel: 949-462-9523
Fax: 949-462-9608
Tel: 951-273-7800

Raleigh, NC
Tel: 919-844-7510

New York, NY
Tel: 631-435-6000

San Jose, CA
Tel: 408-735-9110
Tel: 408-436-4270

Canada - Toronto
Tel: 905-695-1980
Fax: 905-695-2078

ASIA/PACIFIC

Australia - Sydney
Tel: 61-2-9868-6733

China - Beijing
Tel: 86-10-8569-7000

China - Chengdu
Tel: 86-28-8665-5511

China - Chongqing
Tel: 86-23-8980-9588

China - Dongguan
Tel: 86-769-8702-9880

China - Guangzhou
Tel: 86-20-8755-8029

China - Hangzhou
Tel: 86-571-8792-8115

China - Hong Kong SAR
Tel: 852-2943-5100

China - Nanjing
Tel: 86-25-8473-2460

China - Qingdao
Tel: 86-532-8502-7355

China - Shanghai
Tel: 86-21-3326-8000

China - Shenyang
Tel: 86-24-2334-2829

China - Shenzhen
Tel: 86-755-8864-2200

China - Suzhou
Tel: 86-186-6233-1526

China - Wuhan
Tel: 86-27-5980-5300

China - Xian
Tel: 86-29-8833-7252

China - Xiamen
Tel: 86-592-2388138

China - Zhuhai
Tel: 86-756-3210040

ASIA/PACIFIC

India - Bangalore
Tel: 91-80-3090-4444

India - New Delhi
Tel: 91-11-4160-8631

India - Pune
Tel: 91-20-4121-0141

Japan - Osaka
Tel: 81-6-6152-7160

Japan - Tokyo
Tel: 81-3-6880-3770

Korea - Daegu
Tel: 82-53-744-4301

Korea - Seoul
Tel: 82-2-554-7200

Malaysia - Kuala Lumpur
Tel: 60-3-7651-7906

Malaysia - Penang
Tel: 60-4-227-8870

Philippines - Manila
Tel: 63-2-634-9065

Singapore
Tel: 65-6334-8870

Taiwan - Hsin Chu
Tel: 886-3-577-8366

Taiwan - Kaohsiung
Tel: 886-7-213-7830

Taiwan - Taipei
Tel: 886-2-2508-8600

Thailand - Bangkok
Tel: 66-2-694-1351

Vietnam - Ho Chi Minh
Tel: 84-28-5448-2100

EUROPE

Austria - Wels
Tel: 43-7242-2244-39
Fax: 43-7242-2244-393

Denmark - Copenhagen
Tel: 45-4485-5910
Fax: 45-4485-2829

Finland - Espoo
Tel: 358-9-4520-820

France - Paris
Tel: 33-1-69-53-63-20
Fax: 33-1-69-30-90-79

Germany - Garching
Tel: 49-8931-9700

Germany - Haan
Tel: 49-2129-3766400

Germany - Heilbronn
Tel: 49-7131-72400

Germany - Karlsruhe
Tel: 49-721-625370

Germany - Munich
Tel: 49-89-627-144-0
Fax: 49-89-627-144-44

Germany - Rosenheim
Tel: 49-8031-354-560

Israel - Ra'anana
Tel: 972-9-744-7705

Italy - Milan
Tel: 39-0331-742611
Fax: 39-0331-466781

Italy - Padova
Tel: 39-049-7625286

Netherlands - Drunen
Tel: 31-416-690399
Fax: 31-416-690340

Norway - Trondheim
Tel: 47-7288-4388

Poland - Warsaw
Tel: 48-22-3325737

Romania - Bucharest
Tel: 40-21-407-87-50

Spain - Madrid
Tel: 34-91-708-08-90
Fax: 34-91-708-08-91

Sweden - Gothenberg
Tel: 46-31-704-60-40

Sweden - Stockholm
Tel: 46-8-5090-4654

UK - Wokingham
Tel: 44-118-921-5800
Fax: 44-118-921-5820