

### GENERAL DESCRIPTION

The SGM48753 is a CMOS analog multiplexer which consists of three single-pole/double-throw (SPDT) switches. It operates from 2.5V to 5.5V single power supply and all digital inputs support 1.8V logic control.

The SGM48753 features low voltage, low on-resistance and low off-leakage current. The high performances make it very suitable for multiple applications, such as cellular phones, audio and video signal routing, etc.

The SGM48753 is available in Green SOIC-16, SSOP-16, TSSOP-16 and TQFN-3×3-16L packages. It operates over an ambient temperature range of -40°C to +85°C.

### APPLICATIONS

Automotive  
Portable Equipment  
Sample-and-Hold Circuits  
Data-Acquisition Systems  
Battery-Powered Systems  
Audio and Video Signal Routing

### FEATURES

- **Single Supply Voltage Range: 2.5V to 5.5V**
- **On-Resistance: 48Ω (TYP) with 5V Supply**
- **Internal A, B, C Rise Time: 45ns (TYP),  $V_{CC} = 5V$**
- **Internal A, B, C Fall Time: 50ns (TYP),  $V_{CC} = 5V$**
- **1.8V Logic Compatible**
- **Low On-Resistance Flatness**
- **Low Crosstalk: -110dB ( $R_L = 50\Omega$ ,  $f = 1MHz$ )**
- **High Off-Isolation: -83dB ( $R_L = 50\Omega$ ,  $f = 1MHz$ )**
- **Low Off-Leakage Current: 1nA (TYP) at +25°C**
- **Low On-Leakage Current: 1nA (TYP) at +25°C**
- **Low Distortion: 0.7% ( $R_L = 600\Omega$ ,  $f = 20Hz$  to 20kHz)**
- **-40°C to +85°C Operating Temperature Range**
- **Available in Green SOIC-16, SSOP-16, TSSOP-16 and TQFN-3×3-16L Packages**

**PACKAGE/ORDERING INFORMATION**

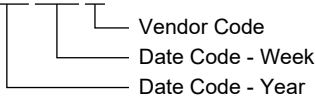
MODEL	PACKAGE DESCRIPTION	SPECIFIED TEMPERATURE RANGE	ORDERING NUMBER	PACKAGE MARKING	PACKING OPTION
SGM48753	SOIC-16	-40°C to +85°C	SGM48753YS16G/TR	SGM48753YS16 XXXXX	Tape and Reel, 2500
	SSOP-16	-40°C to +85°C	SGM48753YQS16G/TR	SGM48753 YQS16 XXXXX	Tape and Reel, 3000
	TSSOP-16	-40°C to +85°C	SGM48753YTS16G/TR	SGM48753 YTS16 XXXXX	Tape and Reel, 4000
	TQFN-3x3-16L	-40°C to +85°C	SGM48753YTQ16G/TR	48753TQ XXXXX	Tape and Reel, 4000

**MARKING INFORMATION**

NOTE: XXXXX = Date Code and Vendor Code.

**SOIC-16/SSOP-16/TSSOP-16/TQFN-3x3-16L**

**XXXXX**



Green (RoHS & HSF): SG Micro Corp defines "Green" to mean Pb-Free (RoHS compatible) and free of halogen substances. If you have additional comments or questions, please contact your SGMICRO representative directly.

**ABSOLUTE MAXIMUM RATINGS**

- V<sub>CC</sub> to GND ..... -0.3V to 6V
- Voltage into Any Terminal <sup>(1)</sup> ..... -0.3V to (V<sub>CC</sub> + 0.3V)
- Continuous Current into Any Terminal ..... ±20mA
- Peak Current, X<sub>-</sub>, Y<sub>-</sub>, Z<sub>-</sub>  
(Pulsed at 1ms, 10% duty cycle) ..... ±40mA
- Junction Temperature ..... +150°C
- Storage Temperature Range ..... -65°C to +150°C
- Lead Temperature (Soldering, 10s) ..... +260°C
- ESD Susceptibility
- HBM ..... 3000V
- MM ..... 200V

NOTE:

1. Voltages exceeding V<sub>CC</sub> or V<sub>EE</sub> on any signal terminal are clamped by internal diodes. Limit forward-diode current to maximum current rating.

**RECOMMENDED OPERATING CONDITIONS**

- Supply Voltage Range ..... 2.5V to 5.5V
- Operating Temperature Range ..... -40°C to +85°C

**OVERSTRESS CAUTION**

Stresses beyond those listed in Absolute Maximum Ratings may cause permanent damage to the device. Exposure to absolute maximum rating conditions for extended periods may affect reliability. Functional operation of the device at any conditions beyond those indicated in the Recommended Operating Conditions section is not implied.

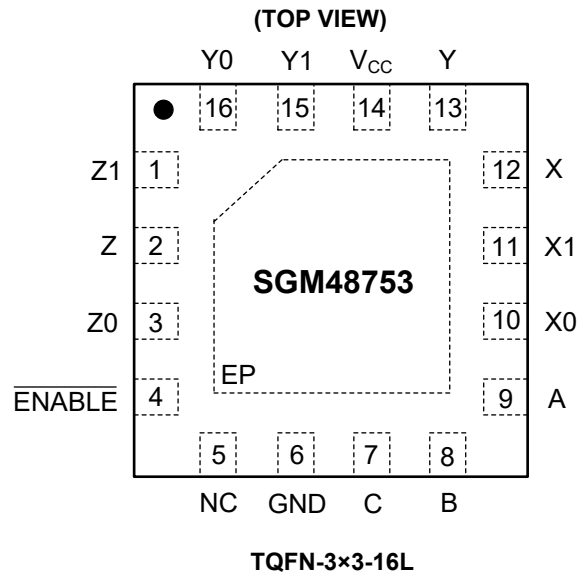
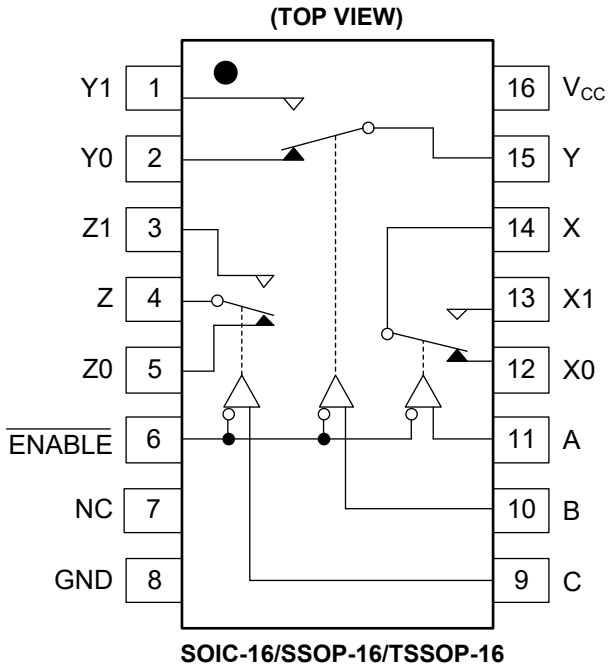
**ESD SENSITIVITY CAUTION**

This integrated circuit can be damaged if ESD protections are not considered carefully. SGMICRO recommends that all integrated circuits be handled with appropriate precautions. Failure to observe proper handling and installation procedures can cause damage. ESD damage can range from subtle performance degradation to complete device failure. Precision integrated circuits may be more susceptible to damage because even small parametric changes could cause the device not to meet the published specifications.

**DISCLAIMER**

SG Micro Corp reserves the right to make any change in circuit design, or specifications without prior notice.

PIN CONFIGURATIONS



PIN DESCRIPTION

PIN		NAME	FUNCTION
SOIC-16/SSOP-16/TSSOP-16	TQFN-3x3-16L		
1	15	Y1	Analog Switch "Y" Normally Open Input Pin.
2	16	Y0	Analog Switch "Y" Normally Closed Input Pin.
3	1	Z1	Analog Switch "Z" Normally Open Input Pin.
4	2	Z	Analog Switch "Z" Output Pin.
5	3	Z0	Analog Switch "Z" Normally Closed Input Pin.
6	4	ENABLE	Digital Enable Input Pin. Normally connected to GND.
7	5	NC	No Connect.
8	6	GND	Ground. Connect to digital ground.
9	7	C	Digital Address "C" Input Pin.
10	8	B	Digital Address "B" Input Pin.
11	9	A	Digital Address "A" Input Pin.
12	10	X0	Analog Switch "X" Normally Closed Input Pin.
13	11	X1	Analog Switch "X" Normally Open Input Pin.
14	12	X	Analog Switch "X" Output Pin.
15	13	Y	Analog Switch "Y" Output Pin.
16	14	V <sub>CC</sub>	Positive Analog and Digital Supply Voltage Input Pin.
—	Exposed Pad	EP	Exposed Pad. Connect EP to GND.

NOTE:

Any input terminal can be used as an output terminal, and any output terminal can also be used as an input terminal. Signal transmission in both directions is equally well.

## FUNCTION TABLE

ENABLE INPUT	SELECT INPUTS			ON SWITCHES
	C	B	A	
H	X	X	X	All Switches Open
L	L	L	L	X-X0, Y-Y0, Z-Z0
L	L	L	H	X-X1, Y-Y0, Z-Z0
L	L	H	L	X-X0, Y-Y1, Z-Z0
L	L	H	H	X-X1, Y-Y1, Z-Z0
L	H	L	L	X-X0, Y-Y0, Z-Z1
L	H	L	H	X-X1, Y-Y0, Z-Z1
L	H	H	L	X-X0, Y-Y1, Z-Z1
L	H	H	H	X-X1, Y-Y1, Z-Z1

X = Don't care.

## ELECTRICAL CHARACTERISTICS

(V<sub>CC</sub> = 5.0V, Full = -40°C to +85°C, typical values are at T<sub>A</sub> = +25°C, unless otherwise noted.)

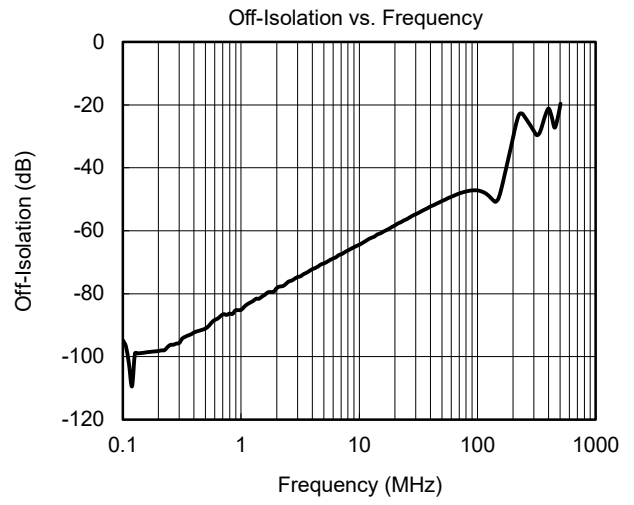
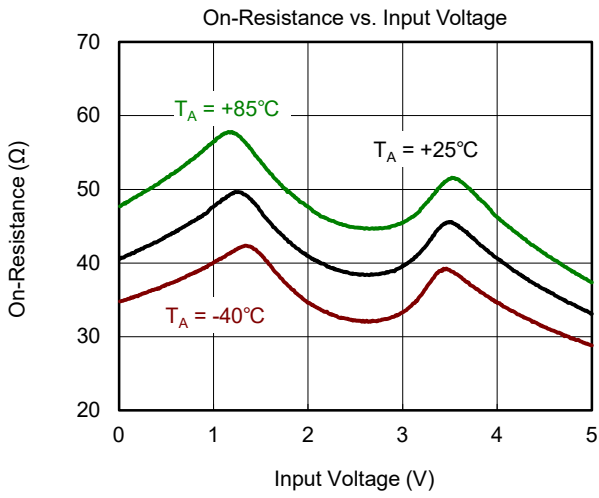
PARAMETER	SYMBOL	CONDITIONS	TEMP	MIN	TYP	MAX	UNITS
<b>Analog Switch</b>							
Analog Signal Range	V <sub>X-</sub> , V <sub>Y-</sub> , V <sub>Z-</sub> , V <sub>X</sub> , V <sub>Y</sub> , V <sub>Z</sub>		Full	GND		V <sub>CC</sub>	V
On-Resistance	R <sub>ON</sub>	V <sub>CC</sub> = 5.0V, I <sub>X</sub> , I <sub>Y</sub> , I <sub>Z</sub> = 1mA	+25°C		48	58	Ω
			Full			67	
On-Resistance Match Between Channels	ΔR <sub>ON</sub>	V <sub>CC</sub> = 5.0V, I <sub>X</sub> , I <sub>Y</sub> , I <sub>Z</sub> = 1mA	+25°C		1.5	5	Ω
			Full			5.3	
On-Resistance Flatness	R <sub>FLAT(ON)</sub>	V <sub>CC</sub> = 5.0V, I <sub>X</sub> , I <sub>Y</sub> , I <sub>Z</sub> = 1mA	+25°C		17	25	Ω
			Full			28	
X <sub>-</sub> , Y <sub>-</sub> , Z <sub>-</sub> Off Leakage Current	I <sub>X(OFF)</sub> , I <sub>Y(OFF)</sub> , I <sub>Z(OFF)</sub>	V <sub>CC</sub> = 5.0V, V <sub>X-</sub> , V <sub>Y-</sub> , V <sub>Z-</sub> = 1V, 4.5V, V <sub>X</sub> , V <sub>Y</sub> , V <sub>Z</sub> = 4.5V, 1V	+25°C		1	1000	nA
X, Y, Z Off Leakage Current	I <sub>X(OFF)</sub> , I <sub>Y(OFF)</sub> , I <sub>Z(OFF)</sub>	V <sub>CC</sub> = 5.0V, V <sub>X-</sub> , V <sub>Y-</sub> , V <sub>Z-</sub> = 1V, 4.5V, V <sub>X</sub> , V <sub>Y</sub> , V <sub>Z</sub> = 4.5V, 1V	+25°C		1	1000	nA
X, Y, Z On Leakage Current	I <sub>X(ON)</sub> , I <sub>Y(ON)</sub> , I <sub>Z(ON)</sub>	V <sub>CC</sub> = 5.0V, V <sub>X</sub> , V <sub>Y</sub> , V <sub>Z</sub> = 4.5V, 1V	+25°C		1	1000	nA
<b>Digital I/O</b>							
Logic Input Logic Threshold High	V <sub>AH</sub> , V <sub>BH</sub> , V <sub>CH</sub> , V <sub>ENABLE</sub>		+25°C	1.7			V
Logic Input Logic Threshold Low	V <sub>AL</sub> , V <sub>BL</sub> , V <sub>CL</sub> , V <sub>ENABLE</sub>		+25°C			0.5	V
Input-Current High	I <sub>AH</sub> , I <sub>BH</sub> , I <sub>CH</sub> , I <sub>ENABLE</sub>	V <sub>A</sub> , V <sub>B</sub> , V <sub>C</sub> , V <sub>ENABLE</sub> = V <sub>CC</sub>	+25°C		1	1000	nA
Input-Current Low	I <sub>AL</sub> , I <sub>BL</sub> , I <sub>CL</sub> , I <sub>ENABLE</sub>	V <sub>A</sub> , V <sub>B</sub> , V <sub>C</sub> , V <sub>ENABLE</sub> = 0V	+25°C		1	1000	nA
<b>Dynamic Characteristics</b>							
Address Transition Time	t <sub>TRANS</sub>	V <sub>X-</sub> , V <sub>Y-</sub> , V <sub>Z-</sub> = 3V/0V, R <sub>L</sub> = 300Ω, C <sub>L</sub> = 35pF, Test Circuit 1	+25°C		85		ns
$\overline{\text{ENABLE}}$ Turn-On Time	t <sub>ON</sub>	V <sub>X-</sub> , V <sub>Y-</sub> , V <sub>Z-</sub> = 3V, R <sub>L</sub> = 300Ω, C <sub>L</sub> = 35pF, Test Circuit 2	+25°C		60		ns
$\overline{\text{ENABLE}}$ Turn-Off Time	t <sub>OFF</sub>	V <sub>X-</sub> , V <sub>Y-</sub> , V <sub>Z-</sub> = 3V, R <sub>L</sub> = 300Ω, C <sub>L</sub> = 35pF, Test Circuit 2	+25°C		70		ns
Internal A, B, C Rise Time	t <sub>R</sub>		+25°C		45		ns
Internal A, B, C Fall Time	t <sub>F</sub>		+25°C		50		ns
Break-Before-Make Time Delay	t <sub>D</sub>	V <sub>X-</sub> , V <sub>Y-</sub> , V <sub>Z-</sub> = 3V, R <sub>L</sub> = 300Ω, C <sub>L</sub> = 35pF, Test Circuit 3	+25°C		50		ns
Charge Injection	Q	R <sub>S</sub> = 0Ω, C = 1nF, V <sub>S</sub> = 0V, Test Circuit 4	+25°C		3		pC
Off-Isolation	O <sub>ISO</sub>	R <sub>L</sub> = 50Ω, f = 1MHz, Test Circuit 5	+25°C		-83		dB
Channel-to-Channel Crosstalk	X <sub>TALK</sub>	R <sub>L</sub> = 50Ω, f = 1MHz, Test Circuit 5	+25°C		-110		dB
Input Off-Capacitance	C <sub>X(OFF)</sub> , C <sub>Y(OFF)</sub> , C <sub>Z(OFF)</sub>	V <sub>X-</sub> , V <sub>Y-</sub> , V <sub>Z-</sub> = 0V, f = 1MHz, Test Circuit 6	+25°C		8		pF
Output Off-Capacitance	C <sub>X(OFF)</sub> , C <sub>Y(OFF)</sub> , C <sub>Z(OFF)</sub>	V <sub>X-</sub> , V <sub>Y-</sub> , V <sub>Z-</sub> = 0V, f = 1MHz, Test Circuit 6	+25°C		9		pF
Output On-Capacitance	C <sub>X(ON)</sub> , C <sub>Y(ON)</sub> , C <sub>Z(ON)</sub>	V <sub>X-</sub> , V <sub>Y-</sub> , V <sub>Z-</sub> = 0V, f = 1MHz, Test Circuit 6	+25°C		16		pF
-3dB Bandwidth	BW	R <sub>L</sub> = 50Ω	+25°C		180		MHz
Total Harmonic Distortion	THD	R <sub>L</sub> = 600Ω, 5V <sub>P-P</sub> , f = 20Hz to 20kHz	+25°C		0.7		%
<b>Power Supply</b>							
Power Supply Range	V <sub>CC</sub>		Full	2.5		5.5	V
Power Supply Current	I <sub>CC</sub>	V <sub>A</sub> , V <sub>B</sub> , V <sub>C</sub> , V <sub>ENABLE</sub> = V <sub>CC</sub> or 0	+25°C		0.001	6	μA

**ELECTRICAL CHARACTERISTICS (continued)**(V<sub>CC</sub> = 3.3V, Full = -40°C to +85°C, typical values are at T<sub>A</sub> = +25°C, unless otherwise noted.)

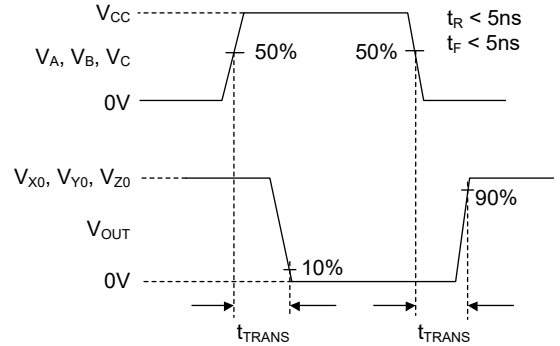
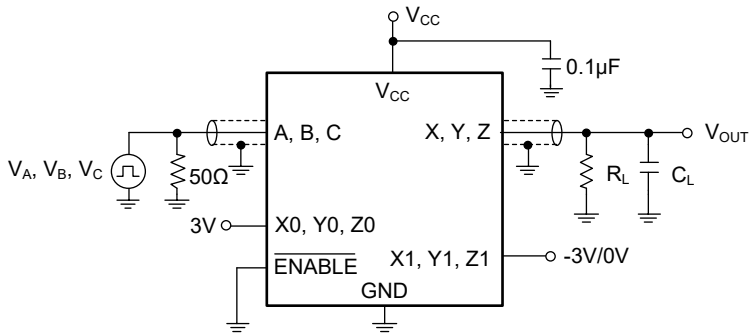
PARAMETER	SYMBOL	CONDITIONS	TEMP	MIN	TYP	MAX	UNITS
<b>Analog Switch</b>							
Analog Signal Range	V <sub>X-</sub> , V <sub>Y-</sub> , V <sub>Z-</sub> , V <sub>X</sub> , V <sub>Y</sub> , V <sub>Z</sub>		Full	GND		V <sub>CC</sub>	V
On-Resistance	R <sub>ON</sub>	I <sub>X</sub> , I <sub>Y</sub> , I <sub>Z</sub> = 1mA	+25°C		80	110	Ω
			Full			116	
X <sub>-</sub> , Y <sub>-</sub> , Z <sub>-</sub> Off Leakage Current	I <sub>X(OFF)</sub> , I <sub>Y(OFF)</sub> , I <sub>Z(OFF)</sub>	V <sub>X-</sub> , V <sub>Y-</sub> , V <sub>Z-</sub> = 1V, 3V, V <sub>X</sub> , V <sub>Y</sub> , V <sub>Z</sub> = 3V, 1V	+25°C		1	1000	nA
X, Y, Z Off Leakage Current	I <sub>X(OFF)</sub> , I <sub>Y(OFF)</sub> , I <sub>Z(OFF)</sub>	V <sub>X-</sub> , V <sub>Y-</sub> , V <sub>Z-</sub> = 1V, 3V, V <sub>X</sub> , V <sub>Y</sub> , V <sub>Z</sub> = 3V, 1V	+25°C		1	1000	nA
X, Y, Z On Leakage Current	I <sub>X(ON)</sub> , I <sub>Y(ON)</sub> , I <sub>Z(ON)</sub>	V <sub>X</sub> , V <sub>Y</sub> , V <sub>Z</sub> = 3V, 1V	+25°C		1	1000	nA
<b>Digital I/O</b>							
Logic Input Logic Threshold High	V <sub>AH</sub> , V <sub>BH</sub> , V <sub>CH</sub> , V <sub>ENABLE</sub>		+25°C	1.7			V
Logic Input Logic Threshold Low	V <sub>AL</sub> , V <sub>BL</sub> , V <sub>CL</sub> , V <sub>ENABLE</sub>		+25°C			0.5	V
Input-Current High	I <sub>AH</sub> , I <sub>BH</sub> , I <sub>CH</sub> , I <sub>ENABLE</sub>	V <sub>A</sub> , V <sub>B</sub> , V <sub>C</sub> , V <sub>ENABLE</sub> = V <sub>CC</sub>	+25°C		1	1000	nA
Input-Current Low	I <sub>AL</sub> , I <sub>BL</sub> , I <sub>CL</sub> , I <sub>ENABLE</sub>	V <sub>A</sub> , V <sub>B</sub> , V <sub>C</sub> , V <sub>ENABLE</sub> = 0V	+25°C		1	1000	nA
<b>Dynamic Characteristics</b>							
Address Transition Time	t <sub>TRANS</sub>	V <sub>X-</sub> , V <sub>Y-</sub> , V <sub>Z-</sub> = 3V/0V, R <sub>L</sub> = 300Ω, C <sub>L</sub> = 35pF, Test Circuit 1	+25°C		150		ns
ENABLE Turn-On Time	t <sub>ON</sub>	V <sub>X-</sub> , V <sub>Y-</sub> , V <sub>Z-</sub> = 3V, R <sub>L</sub> = 300Ω, C <sub>L</sub> = 35pF, Test Circuit 2	+25°C		110		ns
ENABLE Turn-Off Time	t <sub>OFF</sub>	V <sub>X-</sub> , V <sub>Y-</sub> , V <sub>Z-</sub> = 3V, R <sub>L</sub> = 300Ω, C <sub>L</sub> = 35pF, Test Circuit 2	+25°C		110		ns
Internal A, B, C Rise Time	t <sub>R</sub>		+25°C		80		ns
Internal A, B, C Fall Time	t <sub>F</sub>		+25°C		85		ns
Break-Before-Make Time Delay	t <sub>D</sub>	V <sub>X-</sub> , V <sub>Y-</sub> , V <sub>Z-</sub> = 3V, R <sub>L</sub> = 300Ω, C <sub>L</sub> = 35pF, Test Circuit 3	+25°C		80		ns
Charge Injection	Q	R <sub>S</sub> = 0Ω, C = 1nF, V <sub>S</sub> = 0V, Test Circuit 4	+25°C		3		pC
-3dB Bandwidth	BW	R <sub>L</sub> = 50Ω	+25°C		180		MHz
<b>Power Supply</b>							
Power Supply Current	I <sub>CC</sub>	V <sub>A</sub> , V <sub>B</sub> , V <sub>C</sub> , V <sub>ENABLE</sub> = V <sub>CC</sub> or 0	+25°C		0.001	3	μA

### TYPICAL PERFORMANCE CHARACTERISTICS

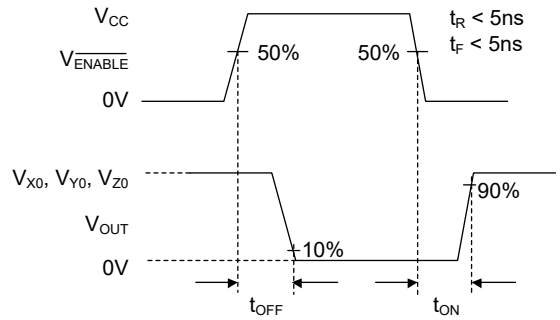
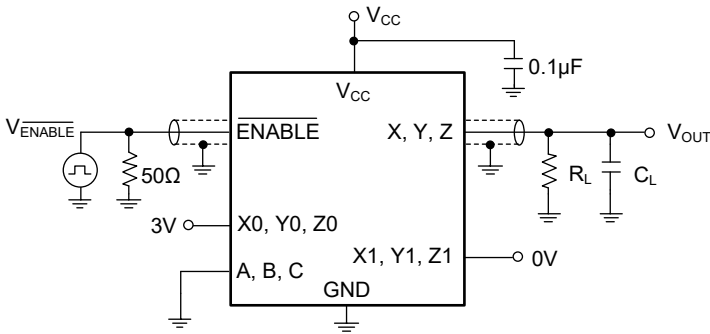
V<sub>CC</sub> = 5.0V, unless otherwise noted.



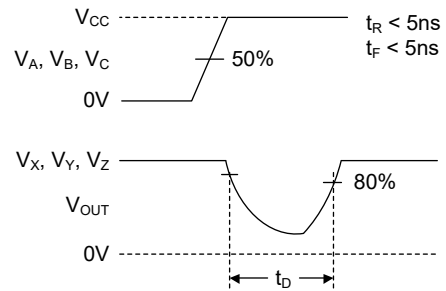
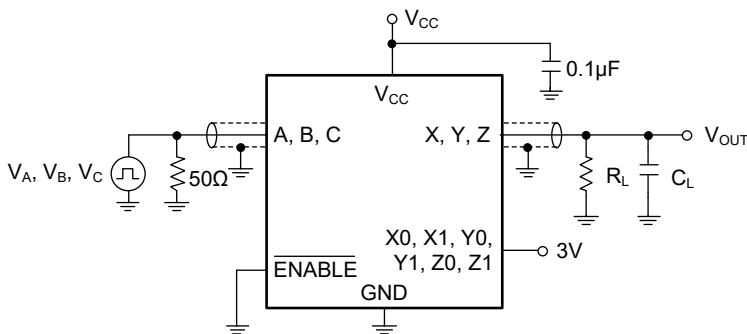
TEST CIRCUITS



Test Circuit 1. Address Transition Times ( $t_{\text{TRANS}}$ )



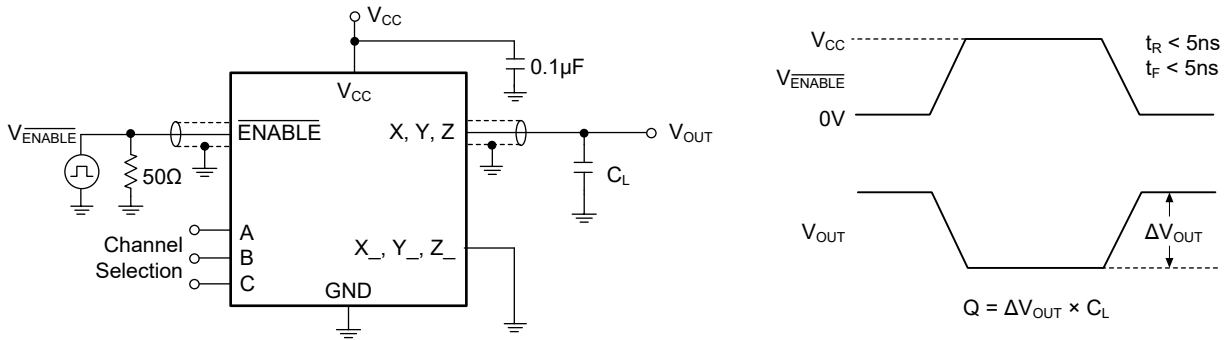
Test Circuit 2. Switching Times ( $t_{\text{ON}}$ ,  $t_{\text{OFF}}$ )



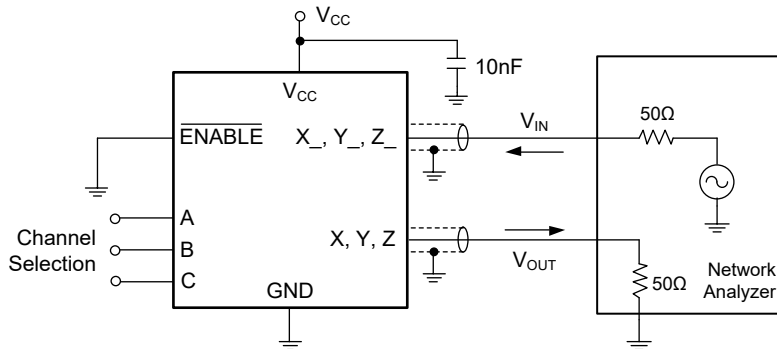
Test Circuit 3. Break-Before-Make Time Delay ( $t_D$ )



TEST CIRCUITS (continued)



Test Circuit 4. Charge Injection (Q)

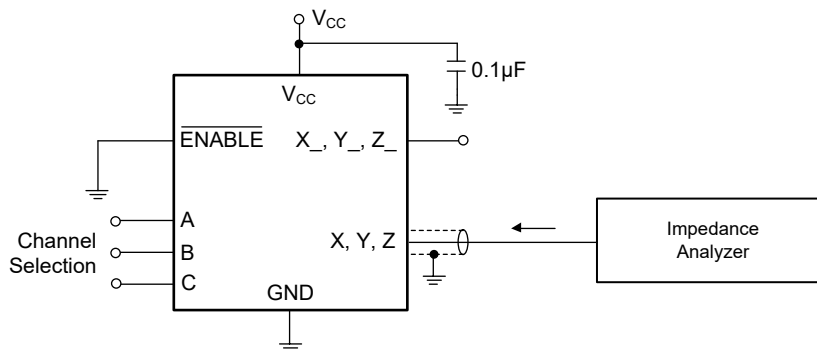


Off-Isolation =  $20\log(V_{OUT}/V_{IN})$  (Measured between X and "OFF" X<sub>-</sub> Terminal on Each Switch)

On Loss =  $20\log(V_{OUT}/V_{IN})$  (Measured between X and "ON" X<sub>-</sub> Terminal on Each Switch)

Channel-to-Channel Crosstalk =  $20\log(V_{OUT}/V_{IN})$  (Measured from One Channel (X, Y, Z) to All other Channels)

Test Circuit 5. Off-Isolation, On Loss and Crosstalk



Test Circuit 6. Capacitance

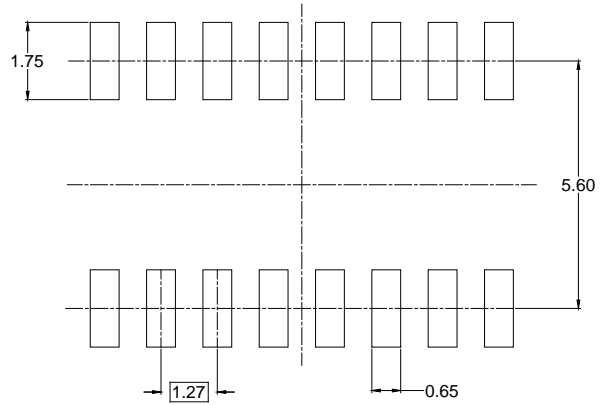
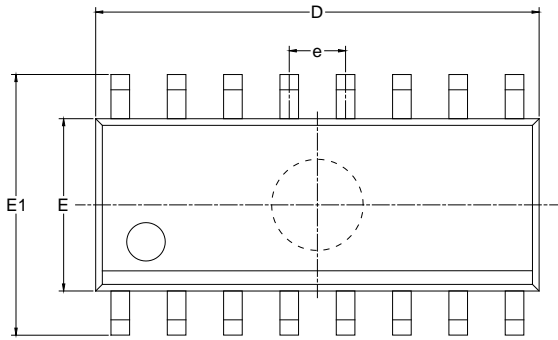
## REVISION HISTORY

NOTE: Page numbers for previous revisions may differ from page numbers in the current version.

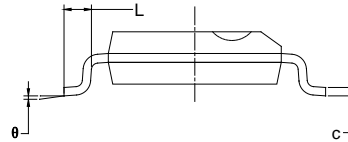
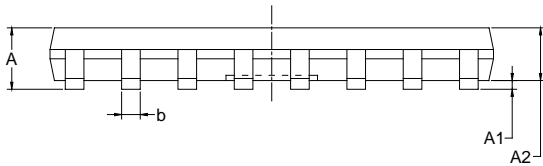
<b>AUGUST 2022 – REV.A.2 to REV.A.3</b>	<b>Page</b>
Updated Test Circuits section .....	8
<b>DECEMBER 2014 – REV.A.1 to REV.A.2</b>	<b>Page</b>
Added Packages: SSOP-16 & TQFN-3×3-16L .....	All
<b>NOVEMBER 2014 – REV.A to REV.A.1</b>	<b>Page</b>
Updated Electrical Characteristics section .....	4, 5
<b>Changes from Original (NOVEMBER 2014) to REV.A</b>	<b>Page</b>
Changed from product preview to production data .....	All

PACKAGE OUTLINE DIMENSIONS

SOIC-16



RECOMMENDED LAND PATTERN (Unit: mm)



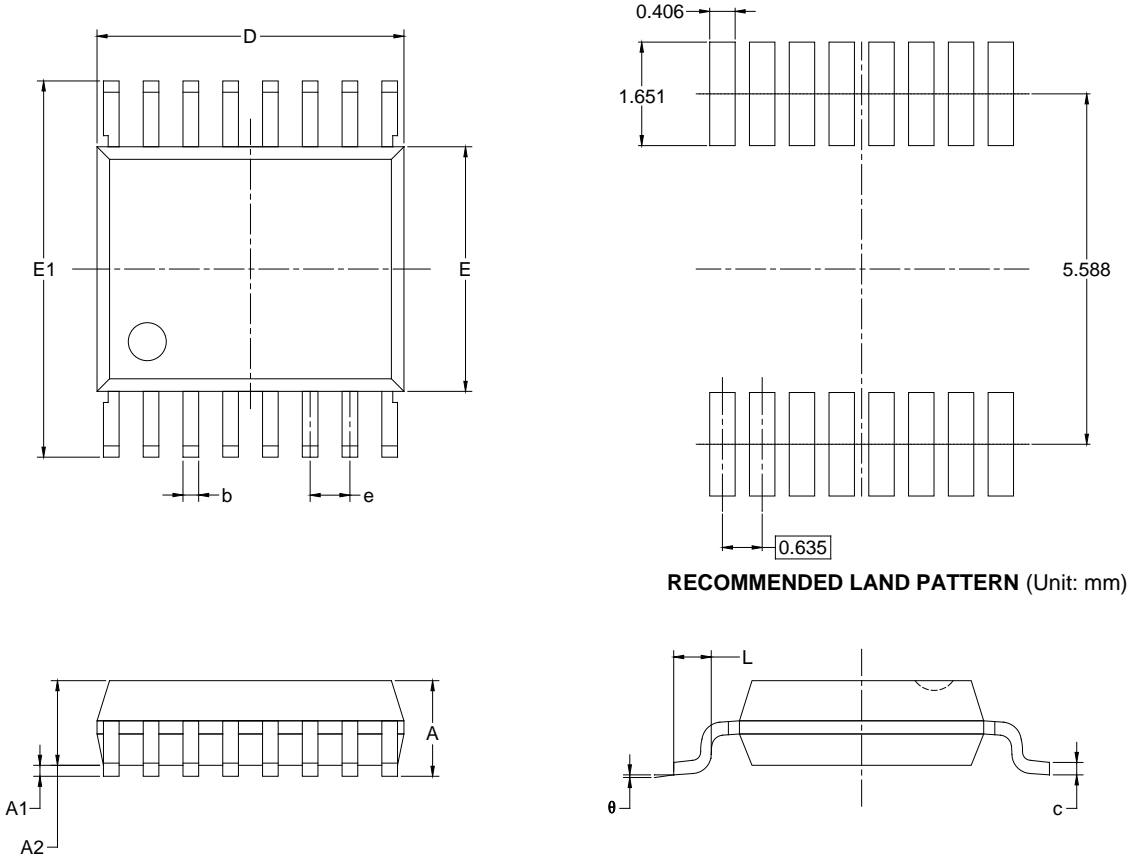
Symbol	Dimensions In Millimeters		Dimensions In Inches	
	MIN	MAX	MIN	MAX
A	1.350	1.750	0.053	0.069
A1	0.100	0.250	0.004	0.010
A2	1.350	1.550	0.053	0.061
b	0.330	0.510	0.013	0.020
c	0.170	0.250	0.006	0.010
D	9.800	10.200	0.386	0.402
E	3.800	4.000	0.150	0.157
E1	5.800	6.200	0.228	0.244
e	1.27 BSC		0.050 BSC	
L	0.400	1.270	0.016	0.050
$\theta$	0°	8°	0°	8°

NOTES:

1. Body dimensions do not include mode flash or protrusion.
2. This drawing is subject to change without notice.

PACKAGE OUTLINE DIMENSIONS

SSOP-16



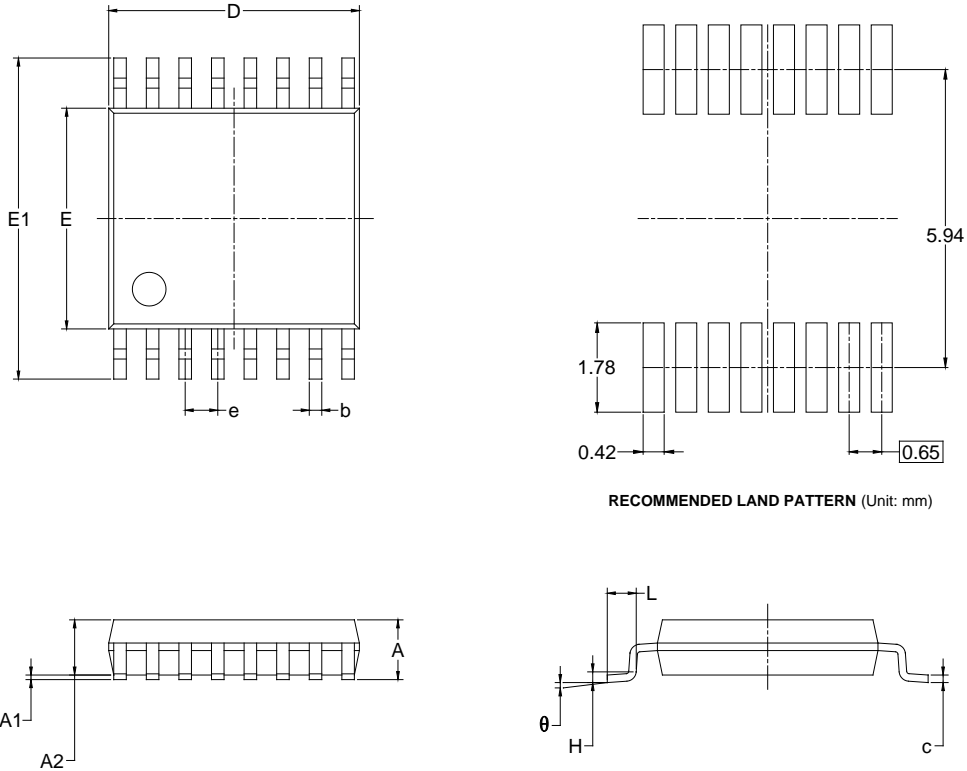
RECOMMENDED LAND PATTERN (Unit: mm)

Symbol	Dimensions In Millimeters		Dimensions In Inches	
	MIN	MAX	MIN	MAX
A	1.350	1.750	0.053	0.069
A1	0.100	0.250	0.004	0.010
A2	1.350	1.550	0.053	0.061
b	0.200	0.300	0.008	0.012
c	0.170	0.250	0.007	0.010
D	4.700	5.100	0.185	0.200
E	3.800	4.000	0.150	0.157
E1	5.800	6.200	0.228	0.244
e	0.635 BSC		0.025 BSC	
L	0.400	1.270	0.016	0.050
θ	0°	8°	0°	8°

NOTES:  
 1. Body dimensions do not include mode flash or protrusion.  
 2. This drawing is subject to change without notice.

PACKAGE OUTLINE DIMENSIONS

TSSOP-16



RECOMMENDED LAND PATTERN (Unit: mm)

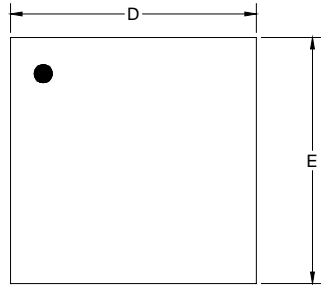
Symbol	Dimensions In Millimeters		Dimensions In Inches	
	MIN	MAX	MIN	MAX
A		1.200		0.047
A1	0.050	0.150	0.002	0.006
A2	0.800	1.050	0.031	0.041
b	0.190	0.300	0.007	0.012
c	0.090	0.200	0.004	0.008
D	4.860	5.100	0.191	0.201
E	4.300	4.500	0.169	0.177
E1	6.200	6.600	0.244	0.260
e	0.650 BSC		0.026 BSC	
L	0.500	0.700	0.02	0.028
H	0.25 TYP		0.01 TYP	
$\theta$	1°	7°	1°	7°

- NOTES:
1. Body dimensions do not include mode flash or protrusion.
  2. This drawing is subject to change without notice.

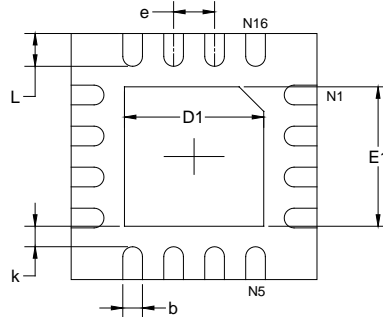
# PACKAGE INFORMATION

## PACKAGE OUTLINE DIMENSIONS

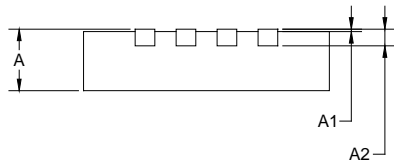
### TQFN-3x3-16L



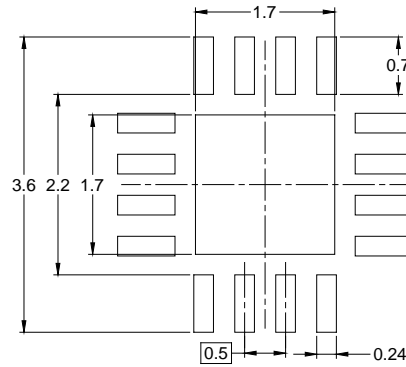
TOP VIEW



BOTTOM VIEW



SIDE VIEW



RECOMMENDED LAND PATTERN (Unit: mm)

Symbol	Dimensions In Millimeters		Dimensions In Inches	
	MIN	MAX	MIN	MAX
A	0.700	0.800	0.028	0.031
A1	0.000	0.050	0.000	0.002
A2	0.203 REF		0.008 REF	
D	2.900	3.100	0.114	0.122
D1	1.600	1.800	0.063	0.071
E	2.900	3.100	0.114	0.122
E1	1.600	1.800	0.063	0.071
k	0.200 MIN		0.008 MIN	
b	0.180	0.300	0.007	0.012
e	0.500 TYP		0.020 TYP	
L	0.300	0.500	0.012	0.020

NOTE: This drawing is subject to change without notice.

# PACKAGE INFORMATION

## TAPE AND REEL INFORMATION

### REEL DIMENSIONS



### TAPE DIMENSIONS



NOTE: The picture is only for reference. Please make the object as the standard.

### KEY PARAMETER LIST OF TAPE AND REEL

Package Type	Reel Diameter	Reel Width W1 (mm)	A0 (mm)	B0 (mm)	K0 (mm)	P0 (mm)	P1 (mm)	P2 (mm)	W (mm)	Pin1 Quadrant
SOIC-16	13"	16.4	6.50	10.30	2.10	4.0	8.0	2.0	16.0	Q1
SSOP-16	13"	12.4	6.40	5.40	2.10	4.0	8.0	2.0	12.0	Q1
TSSOP-16	13"	12.4	6.90	5.60	1.50	4.0	8.0	2.0	12.0	Q1
TQFN-3×3-16L	13"	12.4	3.35	3.35	1.13	4.0	8.0	2.0	12.0	Q1

DD0001

# PACKAGE INFORMATION

## CARTON BOX DIMENSIONS



NOTE: The picture is only for reference. Please make the object as the standard.

## KEY PARAMETER LIST OF CARTON BOX

Reel Type	Length (mm)	Width (mm)	Height (mm)	Pizza/Carton
13"	386	280	370	5

DD0002